

THIS DRAWING IS UNPUBLISHED.

RELEASED FOR PUBLICATION

20

© COPYRIGHT 20 BY -

ALL RIGHTS RESERVED.

REVISIONS

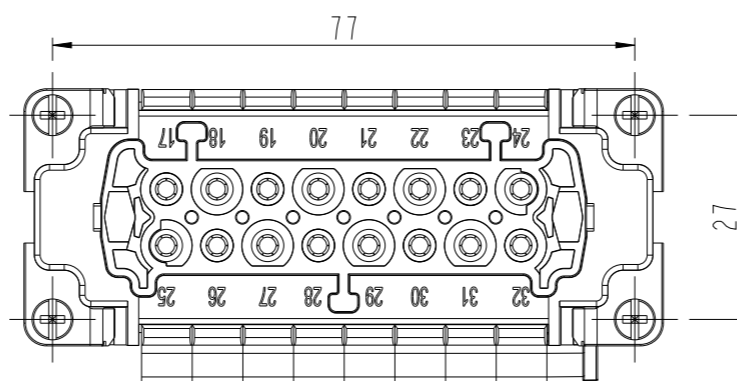
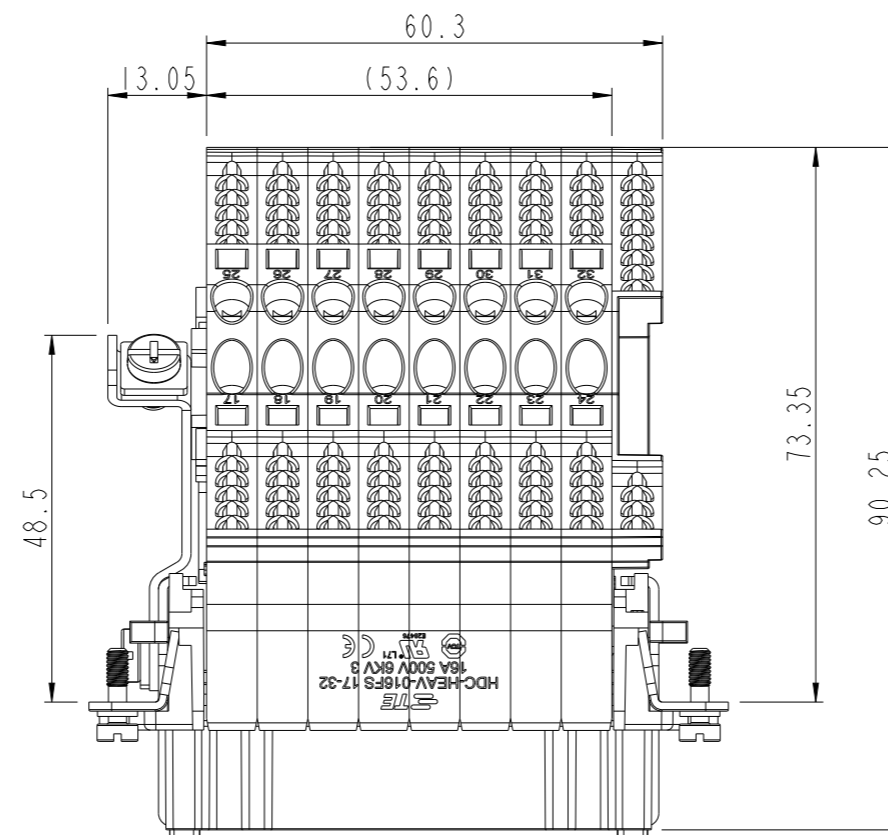
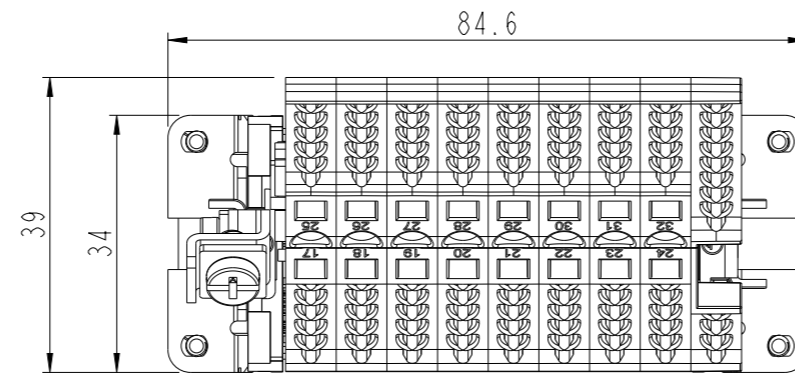
P	LTR	DESCRIPTION	DATE	DWN	APVD
A		INITIAL	2MAY2015	GY	CW
B		ECR-15-015359	19NOV2015	GY	CW
C		ECR-21-106009	01JUL2021	SQ	CW

NOTES:

1. TECHNICAL CHARACTERISTICS:
 INSULATION MATERIAL: PC(Gray)
 RATED VOLTAGE: 500V
 RATED CURRENT: 16A
 INSULATION RESISTANCE: $\geq 400M\Omega$
 RATED IMPULSE VOLTAGE: 6KV
 POLLUTION DEGREE: 3
 CONTACT RESISTANCE: $\leq 5m\Omega$
 FLAMMABILITY: UL94V-0
 MATING CYCLES: 500
 OPERATION TEMPERATURE: $-40^{\circ}C \sim +125^{\circ}C$
 WIRE RANGE: $0.2mm^2 \sim 2.5mm^2$ (AWG24-AWG14)
 CONTACT FINISH: SILVER PLATED
 CONTACT TYPE: SPRING CONTACT

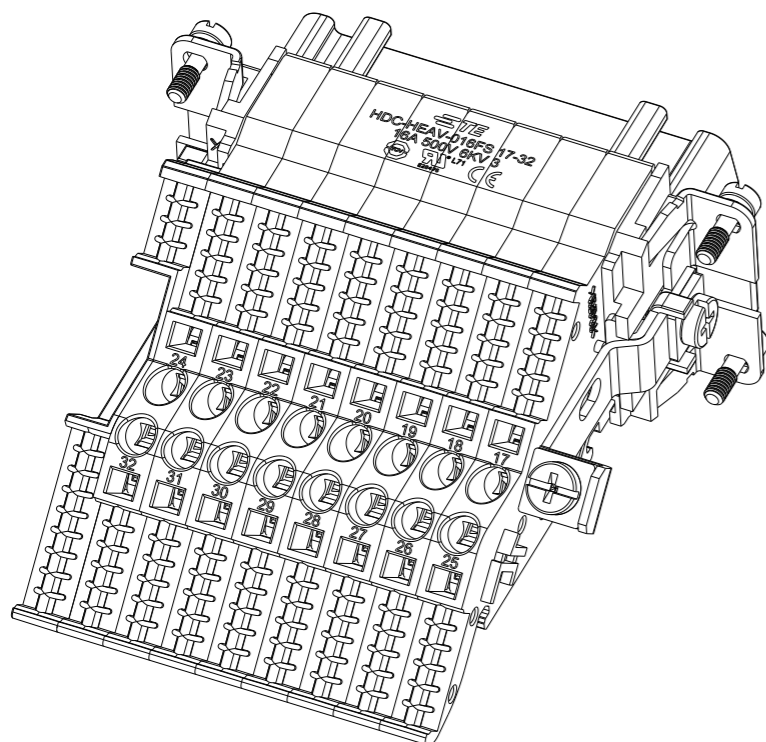
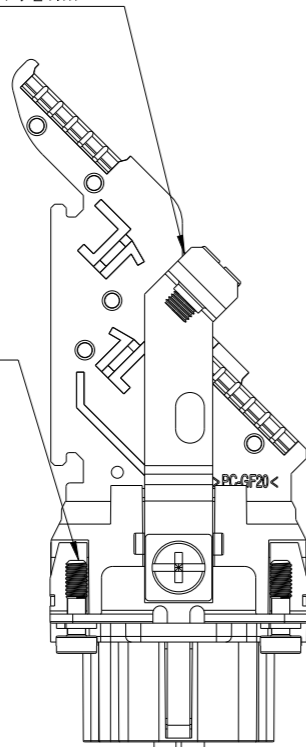
注释:

1. 技术参数:
 绝缘材料: PC(Gray)
 额定电压: 500V
 额定电流: 16A
 绝缘电阻: $\geq 400M\Omega$
 脉冲电压: 6KV
 污染等级: 3
 接触电阻: $\leq 5m\Omega$
 阻燃等级: UL94V-0
 插拔次数: 500
 工作温度: $-40^{\circ}C \sim +125^{\circ}C$
 接线范围: $0.2mm^2 \sim 2.5mm^2$ (AWG24-AWG14)
 端子表面处理: 镀银
 接线类型: 弹片压接



M4 thread, recommended tightening torque 1.2Nm

4XM3 thread, recommended tightening torque 0.5Nm



THIS DRAWING IS A CONTROLLED DOCUMENT.

DIMENSIONS:		TOLERANCES UNLESS OTHERWISE SPECIFIED:	
mm		0 PLC	\pm
		1 PLC	\pm
		2 PLC	\pm
		3 PLC	\pm
		4 PLC	\pm
		ANGLES	\pm
MATERIAL		FINISH	
-		-	

DWN	Gino.Yao	16FEB2015
CHK	Chris.Wang	16FEB2015
APVD	Xiang.Xu	16FEB2015
PRODUCT SPEC	108-137075	
APPLICATION SPEC	114-137075	
WEIGHT	-	
Customer Drawing		

HEAV-016-FS 17-32		T2100323201-000	
DESCRIPTION		PART NUMBER	
STE TE Connectivity			
NAME HEAV-016-FS 17-32			
SIZE	CAGE CODE	DRAWING NO	RESTRICTED TO
A3	-	©-T2100323201000	-
SCALE 1:1		SHEET 1 OF 1	REV C