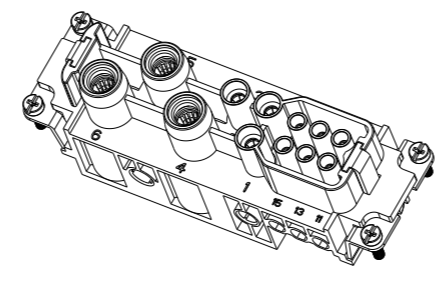
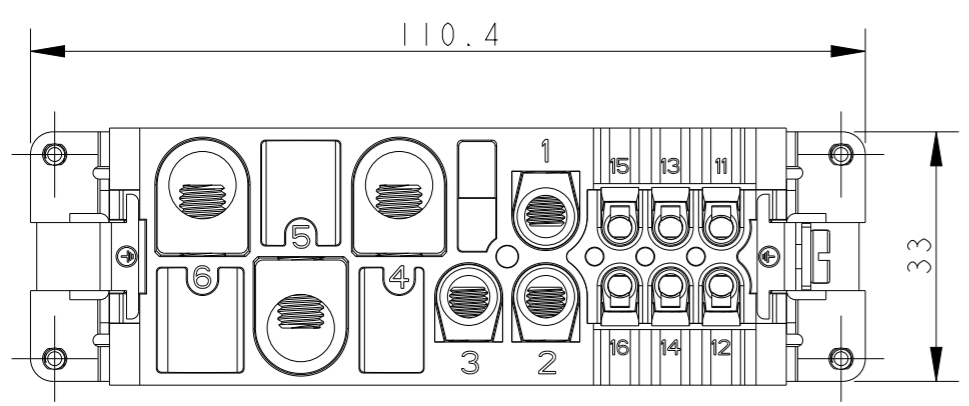


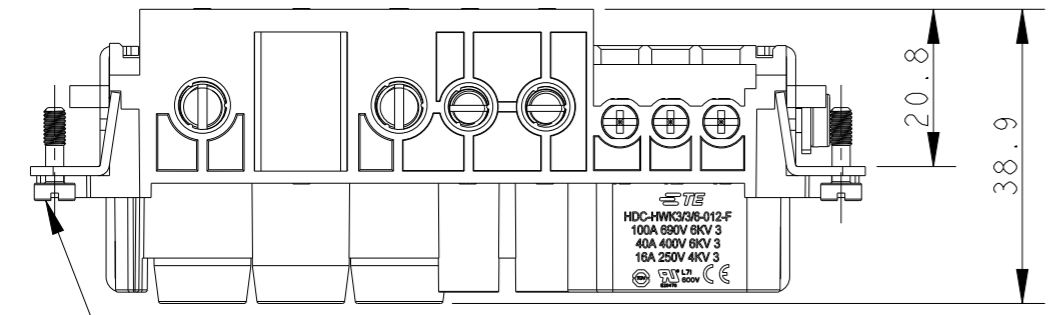
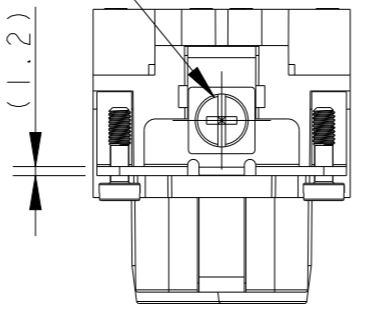
THIS DRAWING IS UNPUBLISHED. RELEASED FOR PUBLICATION 20
 © COPYRIGHT 20 BY - ALL RIGHTS RESERVED.

REVISIONS					
P	LTR	DESCRIPTION	DATE	DWN	APVD
A		INITIAL RELEASE	23FEB2016	DL	CW
B		ECR-16-012694	05SEP2016	DL	CW
C		ECR-21-111798	13SEP2021	WQR	CW

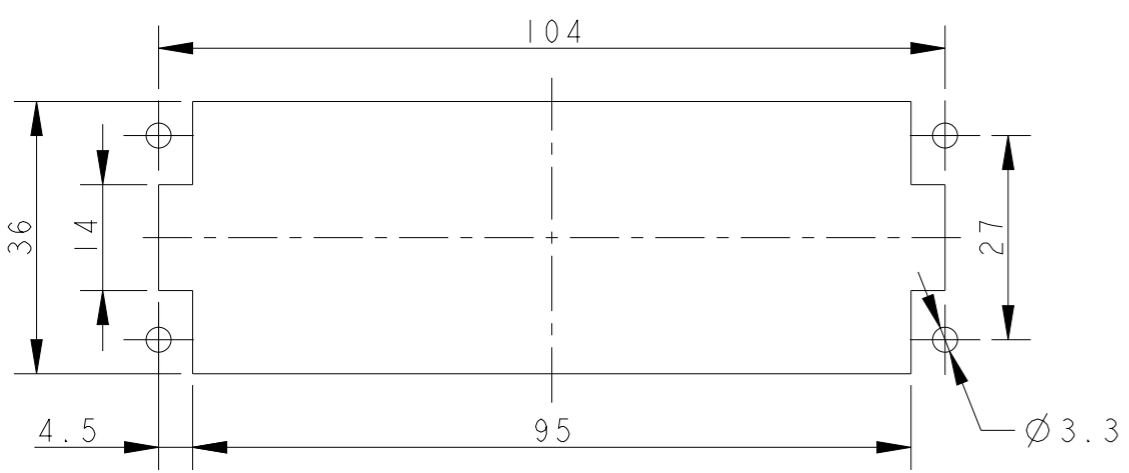
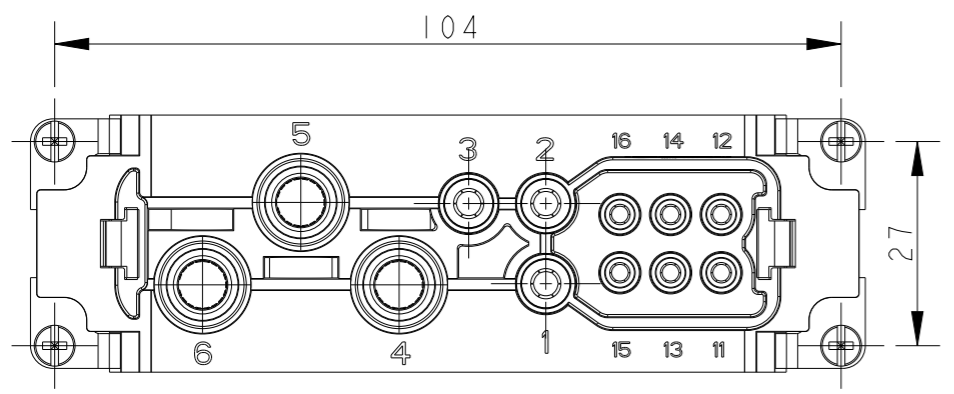


SCALE 1:2

M4 SCREW
 RECOMMENDED TIGHTENING TORQUE 1.2Nm



4 X M3 SCREW
 RECOMMENDED TIGHTENING TORQUE 0.5Nm



PANEL CUT OUT FOR INSERTS FOR USING WITHOUT HOODS/HOUSINGS


NOTES:

- TECHNICAL CHARACTERISTICS:
 INSULATION MATERIAL: PC
 RATED VOLTAGE: POWER 1: 690 V; POWER 2: 400 V; SIGNAL: 250 V
 RATED CURRENT: POWER 1: 100 A; POWER 2: 40 A; SIGNAL: 16 A
 INSULATION RESISTANCE: >=400MΩ
 RATED IMPULSE VOLTAGE: POWER 1: 6 KV; POWER 2: 6 KV; SIGNAL: 4 KV
 POLLUTION DEGREE: 3
 FLAMMABILITY: UL94V-0
 MATING CYCLES: 500
 WIRE RANGE: POWER 1 (100 A): 16-35 mm² (5-2 AWG)
 POWER 2 (40 A): 2.5-6.0 mm² (14-10 AWG)
 SIGNAL (16A): 0.5-2.5 mm² (20-14 AWG)
 CONTACT FINISH: SILVER PLATED
 CONTACT TYPE: SCREW CONTACT

注释:

- 技术参数:
 绝缘材料: PC
 额定电压: 电源1: 690V; 电源2: 400V; 信号: 250V
 额定电流: 电源1: 100A; 电源2: 40A; 信号: 16A
 绝缘电阻: >=400MΩ
 额定脉冲电压: 电源1: 6 KV; 电源2: 6 KV; 信号: 4 KV
 污染等级: 3
 阻燃等级: UL94V-0
 插拔次数: 500次
 接线范围: 电源 1 (100 A): 16-35 mm² (5-2 AWG)
 电源 2 (40 A): 2.5-6.0 mm² (14-10 AWG)
 信号 (16A): 0.5-2.5 mm² (20-14 AWG)
 端子表面处理: 镀银
 接线类型: 螺丝压接

T2093362201-000	HWK3/3/6-012-F	HWK3/3/6-012 FEMALE INSERT HWK3/3/6-012 母插
PART NUMBER 料号	PART DESCRIPTION 描述	

THIS DRAWING IS A CONTROLLED DOCUMENT.		DWN 23FEB2016 DAVID LI	 TE Connectivity
		CHK 23FEB2016 CHRIS WANG	
		APVD 23FEB2016 XU XIANG	
		NAME HDC-HWK3/3/6-012-F	
DIMENSIONS: mm	TOLERANCES UNLESS OTHERWISE SPECIFIED:	PRODUCT SPEC 108-137125	SIZE A3
	0 PLC ±-	APPLICATION SPEC 114-137125	CAGE CODE -
	1 PLC ±-	WEIGHT -	DRAWING NO T2093362201000
	2 PLC ±-	CUSTOMER DRAWING	RESTRICTED TO
	3 PLC ±-		SCALE 1:1
	4 PLC ±-		SHEET 1 OF 1
	ANGLES ±-		REV C
MATERIAL -	FINISH -		