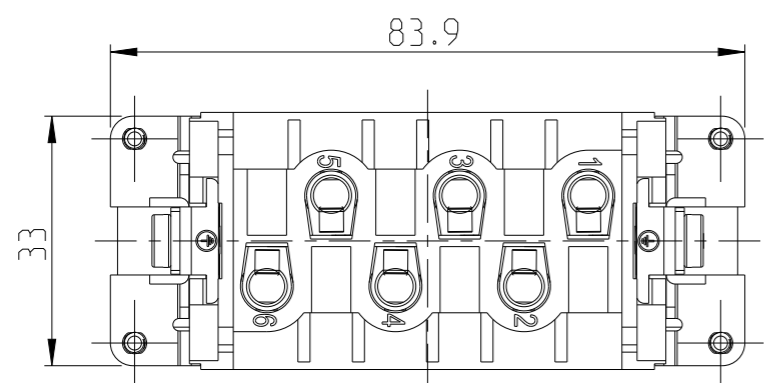


THIS DRAWING IS UNPUBLISHED. RELEASED FOR PUBLICATION 20

© COPYRIGHT 20 BY - ALL RIGHTS RESERVED.

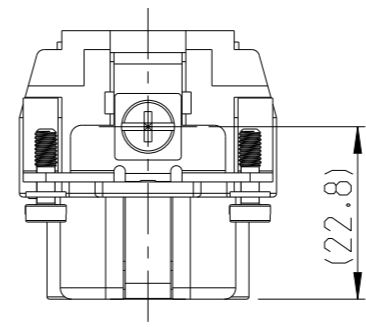
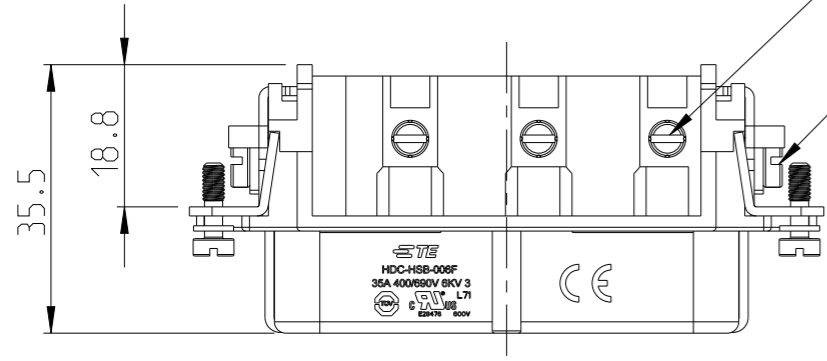
REVISIONS

P	LTR	DESCRIPTION	DATE	DWN	APVD
A		INITIAL	02AUG2016	CH	CW
B		ECR-21-117384	08NOV2021	WQR	CW



6X M4 thread, recommended tightening torque 1.2Nm

2X M4 thread, recommended tightening torque 1.2Nm

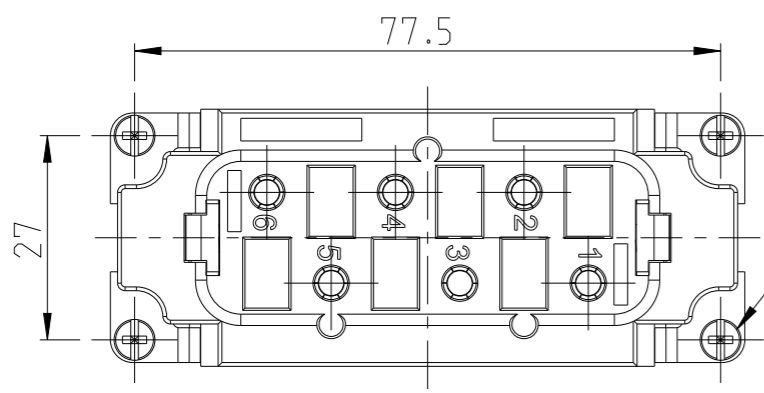


NOTES:

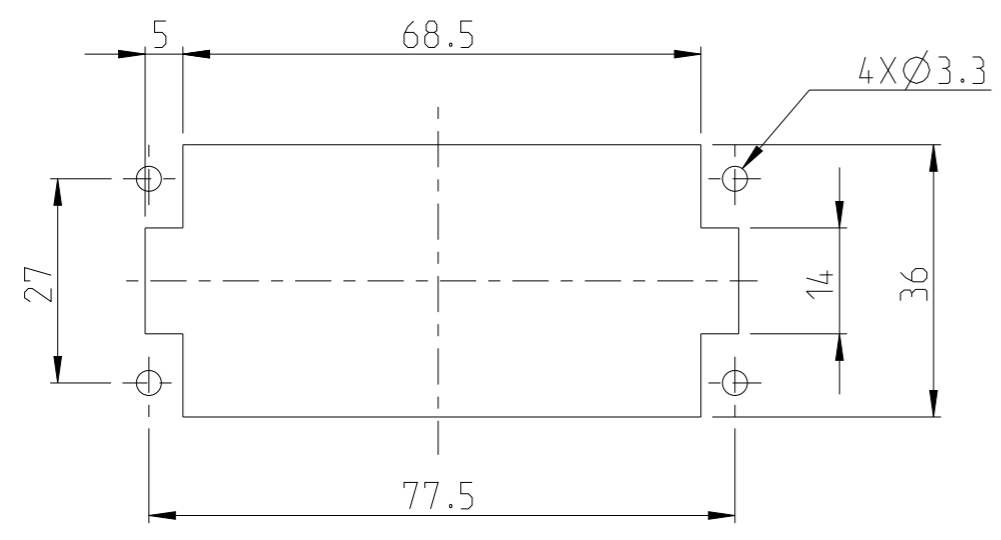
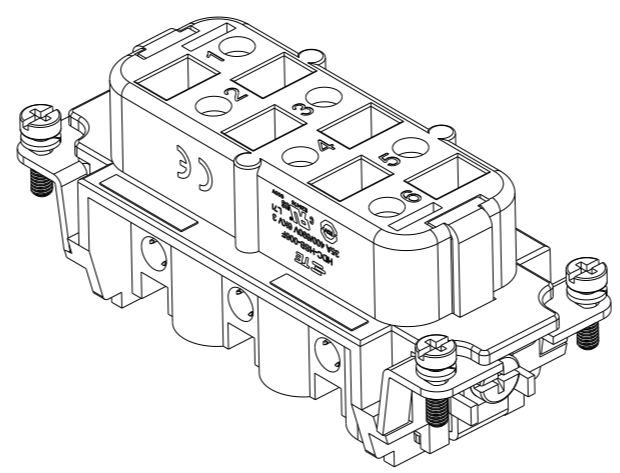
1. TECHNICAL CHARACTERISTICS:
 INSULATION MATERIAL: PC(GARY)
 RATED VOLTAGE: CONDUCTOR-GROUND: 400V
 CONDUCTOR-CONDUCTOR: 690V
 RATED CURRENT: 35A
 INSULATION RESISTANCE: >=400MΩ
 RATED IMPULSE VOLTAGE: 6KV
 POLLUTION DEGREE: 3
 FLAMMABILITY: UL94V-0
 MATING CYCLES: 500
 WIRE RANGE: 1.5mm²~6.0mm² (AWG16-AWG10)
 CONTACT FINISH: SILVER PLATED
 CONTACT TYPE: SCREW CLAMP (M4)

注释:

1. 技术参数:
 绝缘材料: PC(GRAY)
 额定电压: 导体-地: 400V
 导体-导体: 690V
 额定电流: 35A
 绝缘电阻: >=400MΩ
 脉冲电压: 6KV
 污染等级: 3
 阻燃等级: UL94V-0
 插拔次数: 500
 接线范围: 1.5mm²~6.0mm² (AWG16-AWG10)
 端子表面处理: 镀银
 接线类型: 螺丝压接 (M4)



4X M3 thread, recommended tightening torque 0.5Nm



Panel cut out for inserts for using without hoods/housings

T2060062201-001	HSB-006-F	HSB-006 FEMALE INSERT WITH TWO GROUND SCREWS HSB-006母插(带两接地螺丝)
PART NUMBER 料号	PART DESCRIPTION 描述	

THIS DRAWING IS A CONTROLLED DOCUMENT.

DWN	CHARLIE.HU	02AUG2016	 TE Connectivity	NAME	HSB-006-F				
CHK	KYLE.ZENG	02AUG2016							
APVD	CHRIS.WANG	02AUG2016							
PRODUCT SPEC	108-137052								
APPLICATION SPEC	114-137052		SIZE	CAGE CODE	DRAWING NO	RESTRICTED TO			
MATERIAL	-	-	A3	-	©-T2060062201001	-			
WEIGHT	-	-	Customer Drawing	SCALE	1:1	SHEET	1 OF 1	REV	B

DIMENSIONS:	TOLERANCES UNLESS OTHERWISE SPECIFIED:
mm	
0 PLC	±
1 PLC	±
2 PLC	±
3 PLC	±
4 PLC	±
ANGLES	±
FINISH	-