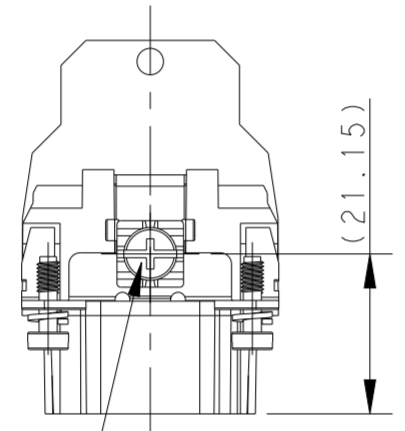
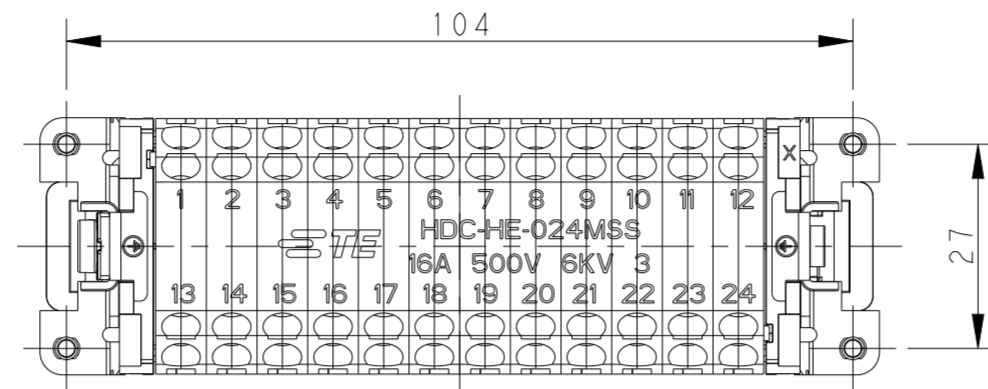
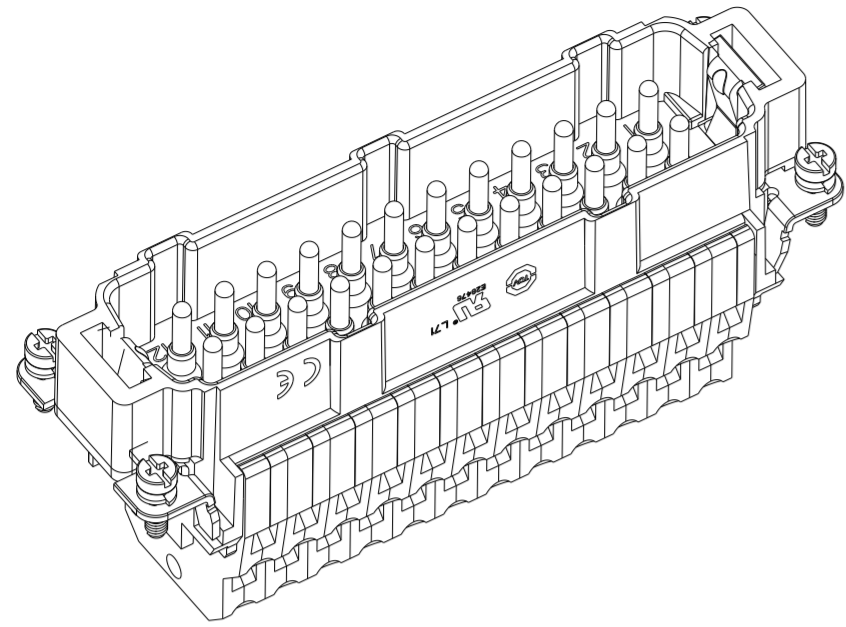
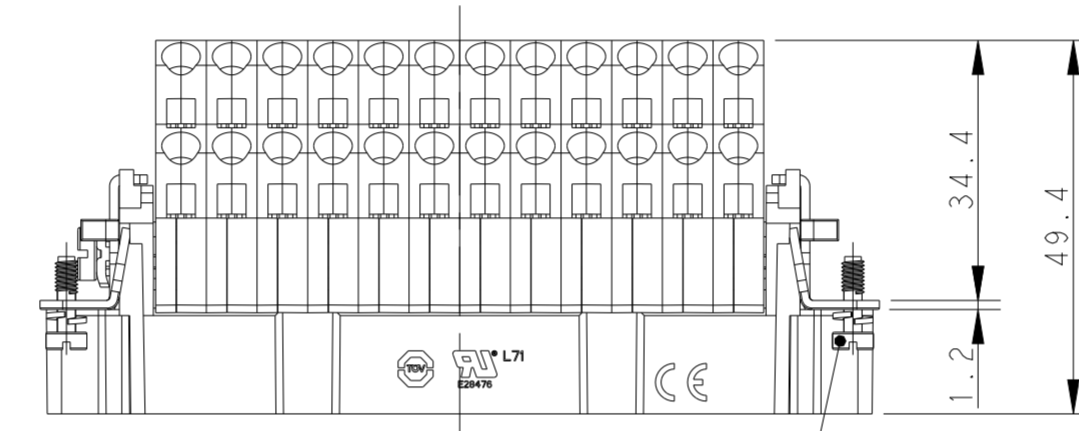


THIS DRAWING IS UNPUBLISHED. RELEASED FOR PUBLICATION
 © COPYRIGHT copyright.d8te- ALL RIGHTS RESERVED.

REVISIONS				
P	LTR	DESCRIPTION	DATE	APVD
A		INITIAL	24NOV2016	DW CW
B		ECR-21-106515	21JUL2021	SQ CW



M4 SCREW, RECOMMENDED
 TIGHTENING TORQUE 1.2Nm
 M4螺丝, 推荐扭力矩为 1.2Nm



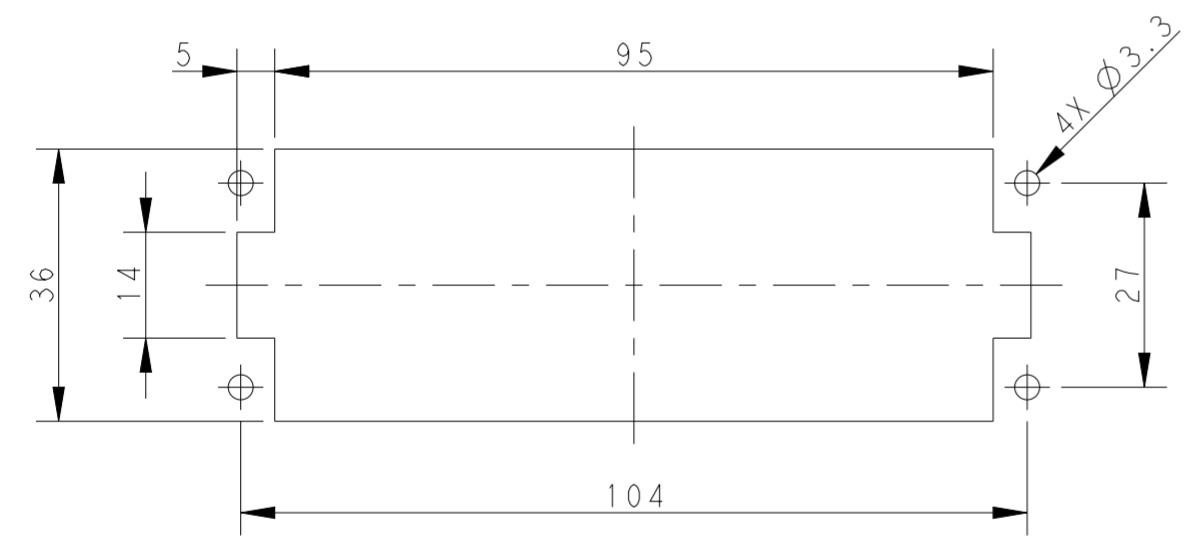
4X M3 SCREW, RECOMMENDED
 TIGHTENING TORQUE 0.5Nm
 4X M3螺丝, 推荐扭力矩为 0.5Nm

NOTES:

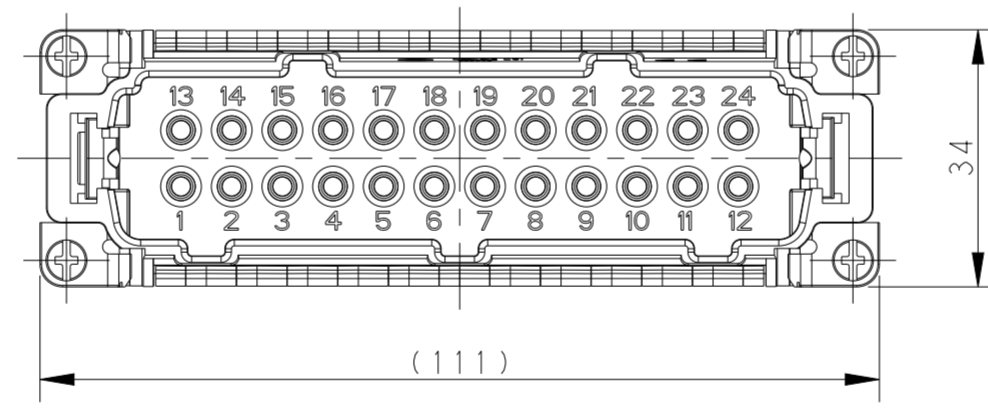
- TECHNICAL CHARACTERISTICS:
 INSULATION MATERIAL: PC
 RATED VOLTAGE: 500V
 RATED CURRENT: 16A
 INSULATION RESISTANCE: $\geq 400M\Omega$
 RATED IMPULSE VOLTAGE: 6KV
 POLLUTION DEGREE: 3
 FLAMMABILITY: UL94V-0
 MATING CYCLES: 500 CYCLES
 WIRE RANGE: 0.5mm²~2.5mm² (AWG20-AWG14)
 CONTACT FINISH: SILVER PLATED
 CONTACT TYPE: DOUBLE SPRING CLAMP

注释:

- 技术参数:
 绝缘材料: PC
 额定电压: 500V
 额定电流: 16A
 绝缘电阻: $\geq 400M\Omega$
 脉冲电压: 6KV
 污染等级: 3
 阻燃等级: UL94V-0
 插拔次数: 500 次
 接线范围: 0.5mm²~2.5mm² (AWG20-AWG14)
 端子表面处理: 镀银
 接线类型: 双弹片连接



PANEL CUT OUT DIMENSION FOR INSERT
 WITHOUT HOODS/HOUSING, ONLY FOR REFERENCE
 不使用防护外壳时芯件的开孔安装尺寸, 仅供参考



T2040245101-000	HE-024-MSS	HE-024 MALE INSERT, DOUBLE SPRING CLAMP HE-024公插, 双弹片
PART NUMBER 料号	PART DESCRIPTION 描述	

THIS DRAWING IS A CONTROLLED DOCUMENT.		DWN 24NOV2016 DAVID WANG	 TE Connectivity	NAME HE-024-MSS		
DIMENSIONS: mm		CHK 24NOV2016 CHRIS WANG		SIZE A2	CAGE CODE -	DRAWING NO T2040245101000
TOLERANCES UNLESS OTHERWISE SPECIFIED:		APVD 24NOV2016 XIANG XU		RESTRICTED TO	SCALE 1:1	
0 PLC ± 1 PLC ± 2 PLC ± 3 PLC ± 4 PLC ± ANGLES ± FINISH -		PRODUCT SPEC -		WEIGHT -	SHEET 1 OF 1	REV B
MATERIAL -		CUSTOMER DRAWING		RESTRICTED TO		