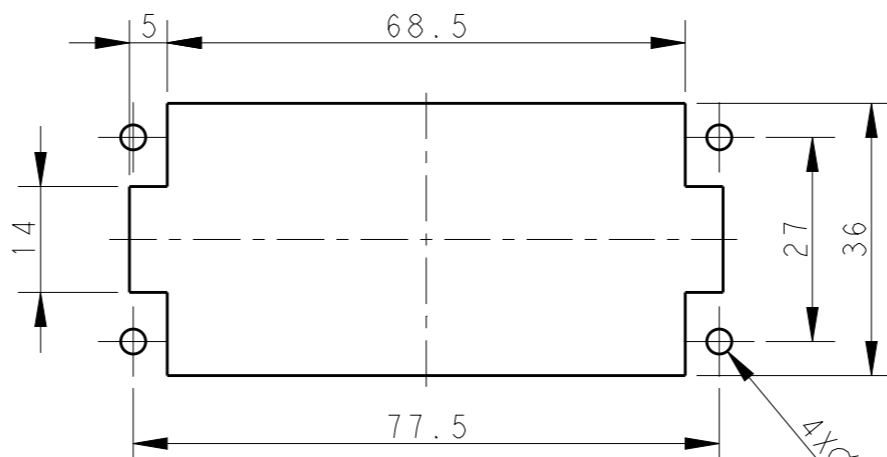
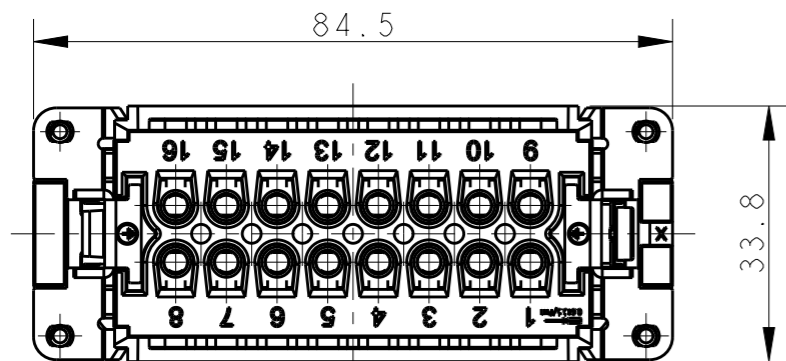


REVISIONS

P	LTR	DESCRIPTION	DATE	DWN	APVD
	A	INITIAL RELEASE	14OCT2016	YC	CW



PANEL CUT FOR INSERTS FOR USE WITHOUT HOODS/ HOUSINGS
不使用防护外壳时芯件的安装开孔图

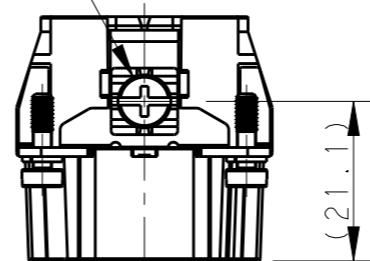
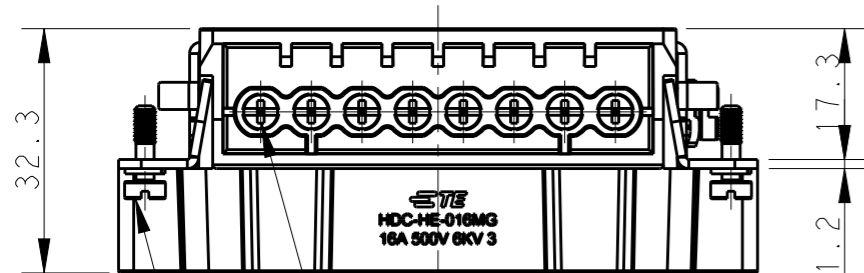
NOTES:

- TECHNICAL CHARACTERISTICS:
INSULATION MATERIAL: PC
RATED VOLTAGE: 500V
RATED CURRENT: 16A
INSULATION RESISTANCE: $\geq 400M\Omega$
RATED IMPULSE VOLTAGE: 6KV
POLLUTION DEGREE: 3
FLAMMABILITY: UL94V-0
MATING CYCLES: 500 CYCLES
WIRE RANGE: $0.5mm^2 \sim 2.5mm^2$ (AWG20-AWG14)
CONTACT TYPE: SCREW CLAMP (M3)

注释:

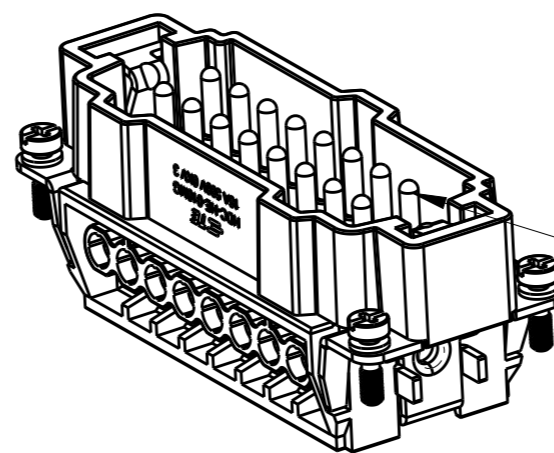
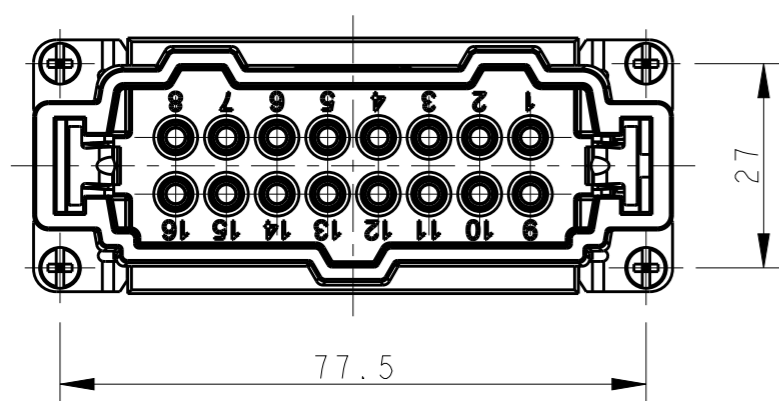
- 技术参数:
绝缘材料: PC
额定电压: 500V
额定电流: 16A
绝缘电阻: $\geq 400M\Omega$
脉冲电压: 6KV
污染等级: 3
阻燃等级: UL94V-0
插拔次数: 500 次
接线范围: $0.5mm^2 \sim 2.5mm^2$ (AWG20-AWG14)
接线类型: 螺丝压接 (M3)

M4 SCREW, RECOMMENDED TIGHTENING TORQUE 1.2Nm
M4螺丝, 推荐锁紧力矩1.2Nm



16X M3 SCREW, RECOMMENDED TIGHTENING TORQUE 0.5Nm
16X M3螺丝, 推荐锁紧力矩0.5Nm

4X M3 SCREW, RECOMMENDED TIGHTENING TORQUE 0.5Nm
4X M3螺丝, 推荐锁紧力矩0.5Nm



GOLD PLATED CONTACTS
镀金端子

T2040162111-000	HE-016-MG	HE-016 MALE INSERT, GOLD PLATED HE-016 公插, 镀金
PART NUMBER 料号	PART DESCRIPTION 描述	

THIS DRAWING IS A CONTROLLED DOCUMENT.		DWN 14OCT2016 YORK CHEN	TE Connectivity	
DIMENSIONS: mm		CHK 14OCT2016 KYLE ZENG		
TOLERANCES UNLESS OTHERWISE SPECIFIED:		APVD 14OCT2016 CHRIS WANG	NAME HE-016-MG	
0 PLC ±-		PRODUCT SPEC 108-137044	SIZE	
1 PLC ±-		APPLICATION SPEC 114-137044	CAGE CODE	
2 PLC ±-		WEIGHT	DRAWING NO	
3 PLC ±-		CUSTOMER DRAWING	A300779	
4 PLC ±-			SCALE 1:1	
ANGLES ±-			SHEET 1 OF 1	
FINISH			REV A	
MATERIAL			RESTRICTED TO	