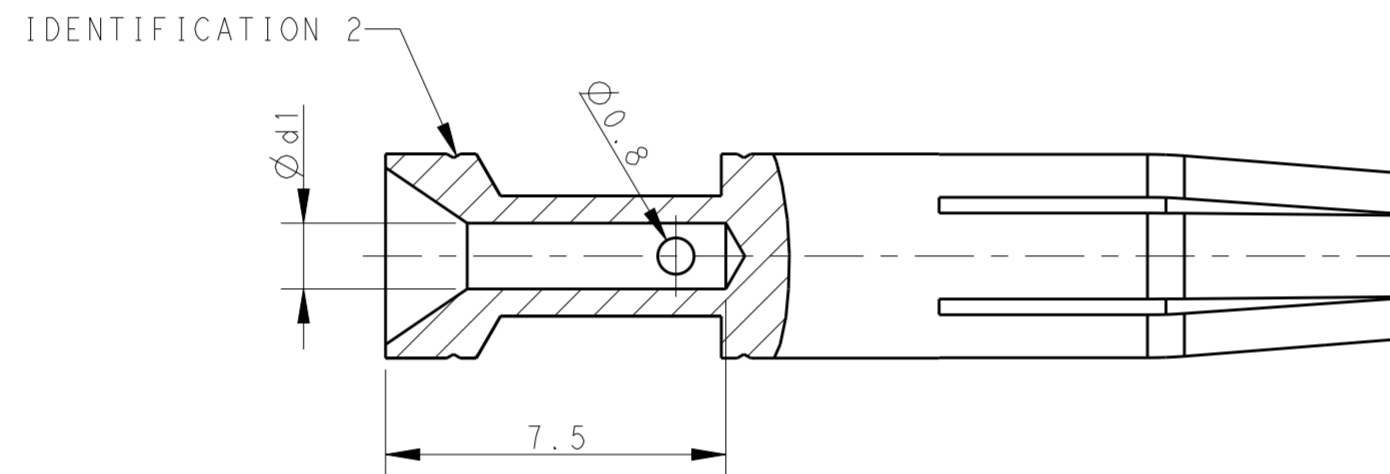
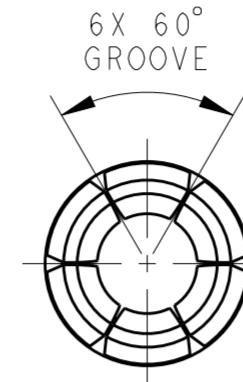
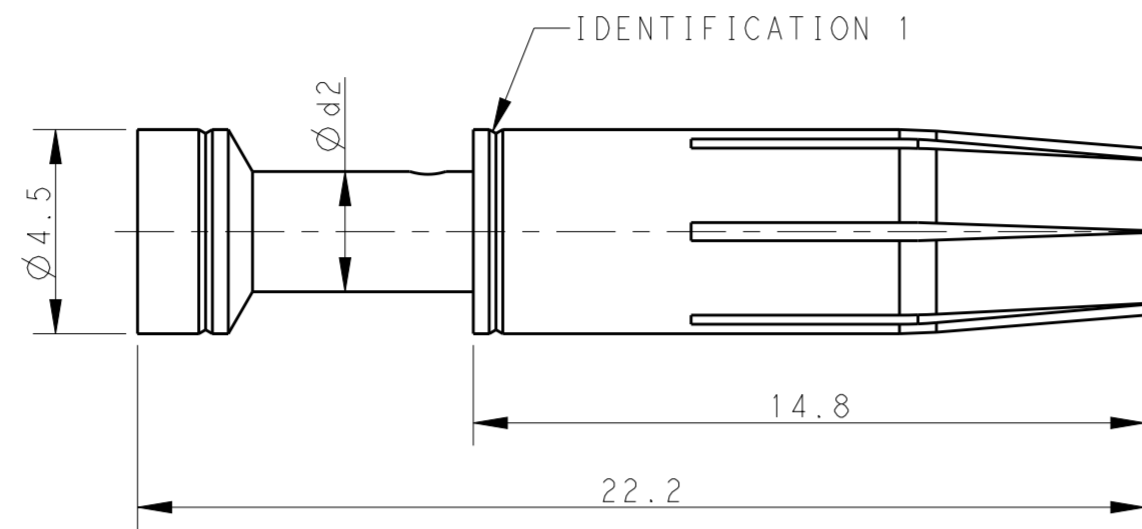
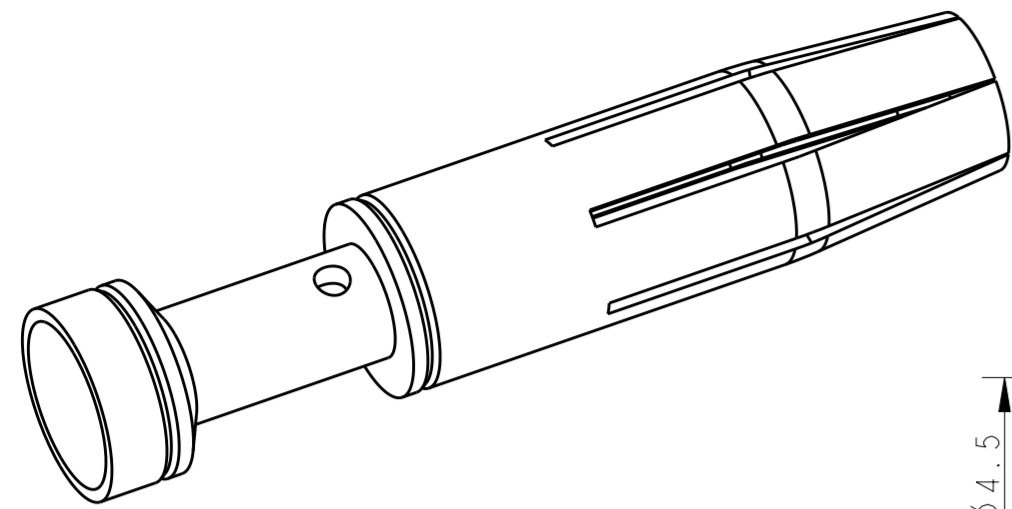


THIS DRAWING IS UNPUBLISHED. RELEASED FOR PUBLICATION 20
 © COPYRIGHT 20 BY - ALL RIGHTS RESERVED.

REVISIONS				
P	LTR	DESCRIPTION	DATE	APVD
	A	INITIAL RELEASE	31MAY2018	DW CW



NOTES:
 1. TECHNICAL CHARACTERISTICS:
 CONTACT MATERIAL: BRASS
 SURFACE PLATING:
 GOLD PLATING: $\geq 0.125\mu\text{m}$
 CONTACT RESISTANCE: $\leq 5\text{ m}\Omega$
 WIRE RANGE: 0.14-4 mm² (26-12 AWG)
 OPERATION TEMPERATURE: -40-+125°C

注释:
 1. 技术参数:
 母针材料: 黄铜
 表面电镀:
 镀金: $\geq 0.125\mu\text{m}$
 接触电阻: $\leq 5\text{ m}\Omega$
 接线范围: 0.14-4 mm² (26-12 AWG)
 工作温度: -40-+125°C

PART NUMBER 料号	PART DESCRIPTION 描述	d1	d2	WIRE GAUGE		STRIPPING LENGTH (mm)	IDENTIFICATION 1 (NUMBER OF GROOVES)	IDENTIFICATION 2 (NUMBER OF GROOVES)
				MM ²	AWG			
T2030022002-000	DEF-T-0.3, GOLD PLATING EE母针 0.14-0.37mm ² , 镀金	0.90	2.50	0.14-0.37	26-22	7.5	1 GROOVE	1 GROOVE
T2030022005-000	DEF-T-0.5, GOLD PLATING EE母针 0.5mm ² , 镀金	1.15	2.50	0.5	20		NO GROOVE	NO GROOVE
T2030022008-000	DEF-T-0.75, GOLD PLATING EE母针 0.75mm ² , 镀金	1.30	2.50	0.75	18		NO GROOVE	1 GROOVE
T2030022010-000	DEF-T-1.0, GOLD PLATING EE母针 1.0mm ² , 镀金	1.45	2.65	1.0	18		1 GROOVE	NO GROOVE
T2030022015-000	DEF-T-1.5, GOLD PLATING EE母针 1.5mm ² , 镀金	1.75	3.00	1.5	16		2 GROOVES	NO GROOVE
T2030022025-000	DEF-T-2.5, GOLD PLATING EE母针 2.5mm ² , 镀金	2.25	3.45	2.5	14		3 GROOVES	NO GROOVE
T2030022030-000	DEF-T-3.0, GOLD PLATING EE母针 3.0mm ² , 镀金	2.55	3.75	3.0	12		1 WIDE GROOVE	1 GROOVE
T2030022040-000	DEF-T-4.0, GOLD PLATING EE母针 4.0mm ² , 镀金	2.85	3.85	4.0	12		NO GROOVE	NO GROOVE

THIS DRAWING IS A CONTROLLED DOCUMENT.

DWN: DAVID WANG 31MAY2018
 CHK: GINO YAO 31MAY2018
 APVD: CHRIS WANG 31MAY2018

STE TE Connectivity

NAME: CEF/DEF
HEE SOCKET CONTACT

PRODUCT SPEC: 108-106137
 APPLICATION SPEC: 114-106137

SIZE: A2 CAGE CODE: 00779 DRAWING NO: T20300220XX000 RESTRICTED TO: A

SCALE: 6:1 SHEET: 1 OF 1 REV: A

CUSTOMER DRAWING