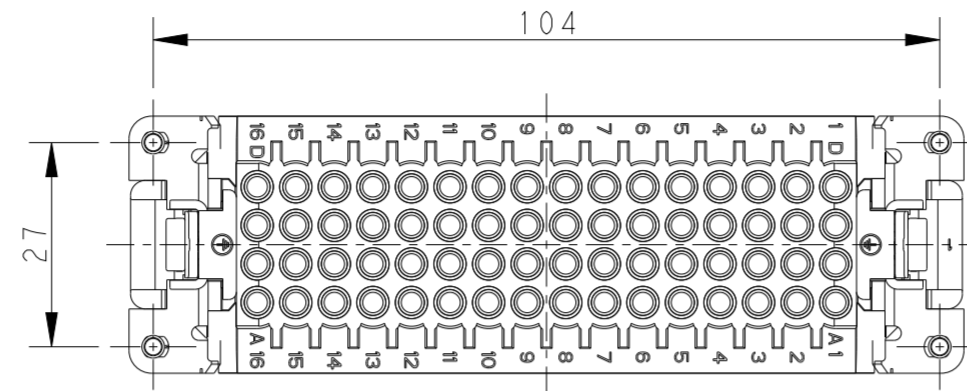
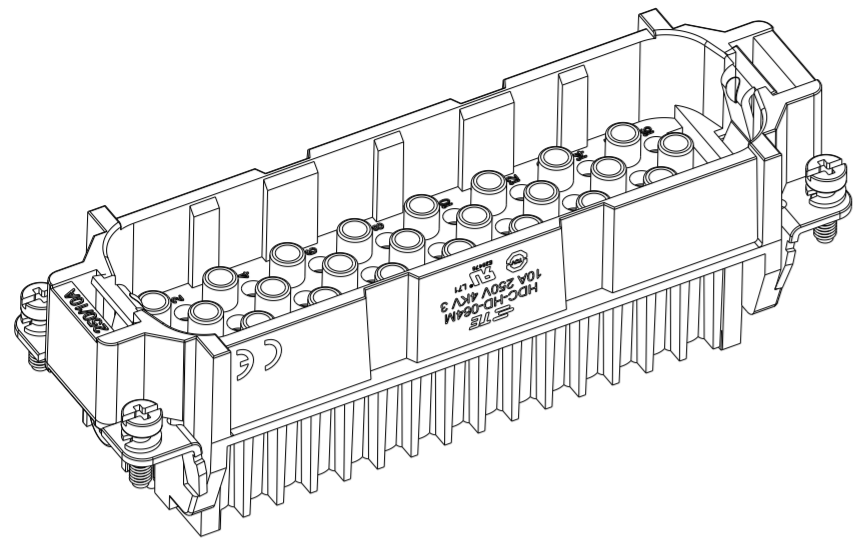
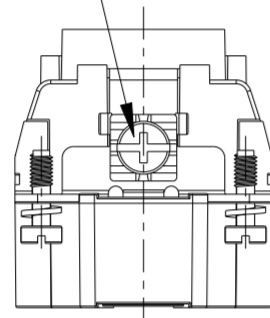


THIS DRAWING IS UNPUBLISHED. RELEASED FOR PUBLICATION 20  
 © COPYRIGHT 20 BY - ALL RIGHTS RESERVED.

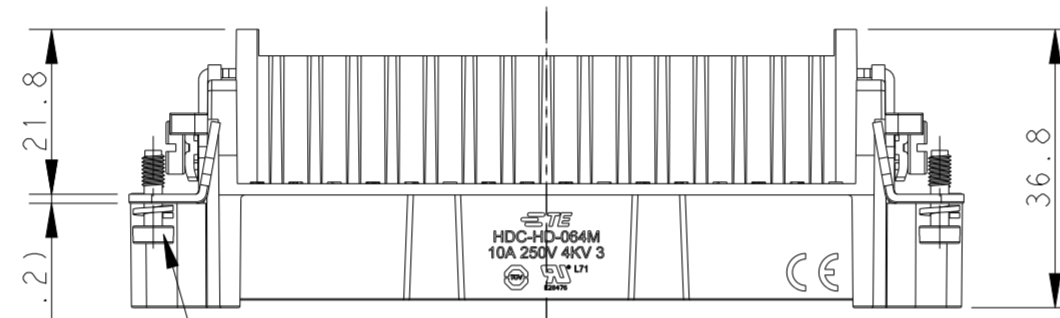
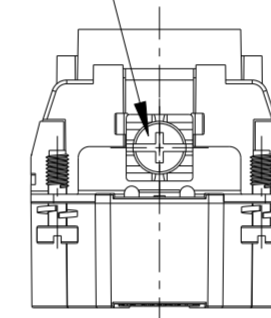
REVISIONS				
P	LTR	DESCRIPTION	DATE	APVD
A		INITIAL RELEASE	14DEC2016	DW CW
B		ECR-21-105750	01JUL2021	BS CW



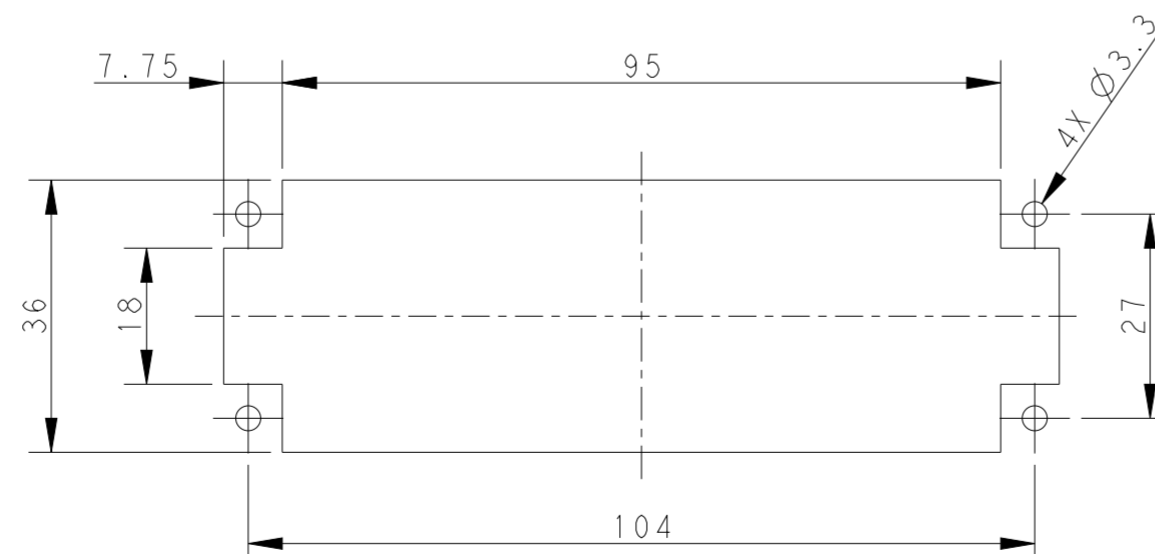
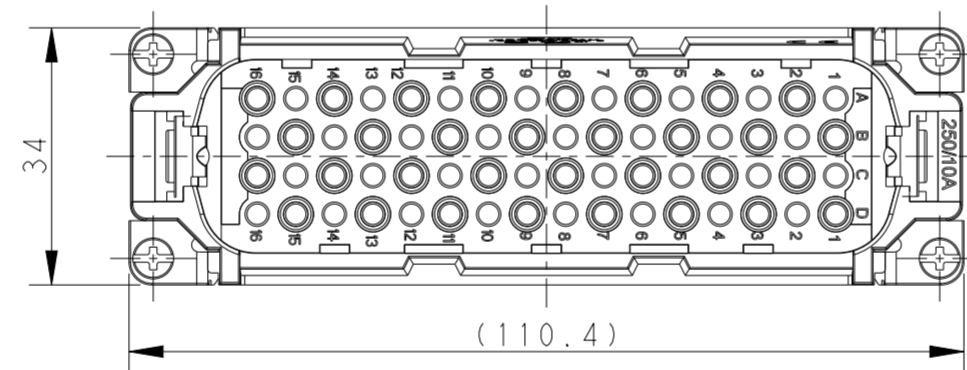
M4 SCREW RECOMMENDED  
 TIGHTENING TORQUE 1.2Nm  
 M4 螺丝, 推荐锁紧力矩 1.2Nm



M4 SCREW RECOMMENDED  
 TIGHTENING TORQUE 1.2Nm  
 M4 螺丝, 推荐锁紧力矩 1.2Nm



4X M3 SCREW RECOMMENDED  
 TIGHTENING TORQUE 0.5Nm  
 4X M3螺丝, 推荐锁紧力矩 0.5Nm



PANEL CUT OUT DIMENSION FOR INSERT  
 WITHOUT HOODS/HOUSING, ONLY FOR REFERENCE  
 不使用防护外壳时芯件的开孔安装尺寸, 仅供参考

NOTES:

- TECHNICAL CHARACTERISTICS:  
 INSULATION MATERIAL: PC  
 RATED VOLTAGE: 250 V  
 RATED CURRENT: 10 A  
 INSULATION RESISTANCE:  $\geq 400M\Omega$   
 RATED IMPULSE VOLTAGE: 4 KV  
 POLLUTION DEGREE: 3  
 FLAMMABILITY: UL94V-0  
 MATING CYCLES: 500 CYCLES  
 WIRE RANGE: 0.14-2.5 mm<sup>2</sup> (26-14 AWG)  
 CONTACT TYPE: CRIMP CONTACT
- CONTACT NEED TO BE ORDERED SEPARATELY.  
 (ORDER No. REFER TO DRAWING: T20200X10XX000)

注释:

- 技术参数:  
 绝缘材料: PC  
 额定电压: 250V  
 额定电流: 10A  
 绝缘电阻:  $\geq 400M\Omega$   
 额定脉冲电压: 4 KV  
 污染等级: 3  
 阻燃等级: UL94V-0  
 插拔次数: 500次  
 接线范围: 0.14-2.5 mm<sup>2</sup> (26-14 AWG)  
 接线类型: 冷压接
- 端子需要单独订购。  
 (订货号参考图面: T20200X10XX000)

T2020642101-003	HD-064-M	HD-064 MALE INSERT, 2X M4 SCREW HD-064 公插, 2X M4 螺丝
PART NUMBER 料号	PART DESCRIPTION 描述	

THIS DRAWING IS A CONTROLLED DOCUMENT.		DWN DAVID WANG 14DEC2016	TE Connectivity	
		CHK CHRIS WANG 14DEC2016		
		APVD XIANG XU 14DEC2016		
DIMENSIONS: mm	TOLERANCES UNLESS OTHERWISE SPECIFIED:	PRODUCT SPEC 108-137042	NAME HD-064-M	
	0 PLC ± 1 PLC ± 2 PLC ± 3 PLC ± 4 PLC ± ANGLES ±	APPLICATION SPEC 114-137042	SIZE A2	CAGE CODE 00779
MATERIAL -	FINISH -	WEIGHT -	DRAWING NO T2020642101003	RESTRICTED TO
CUSTOMER DRAWING			SCALE 1:1	SHEET 1 OF 1
			REV B	