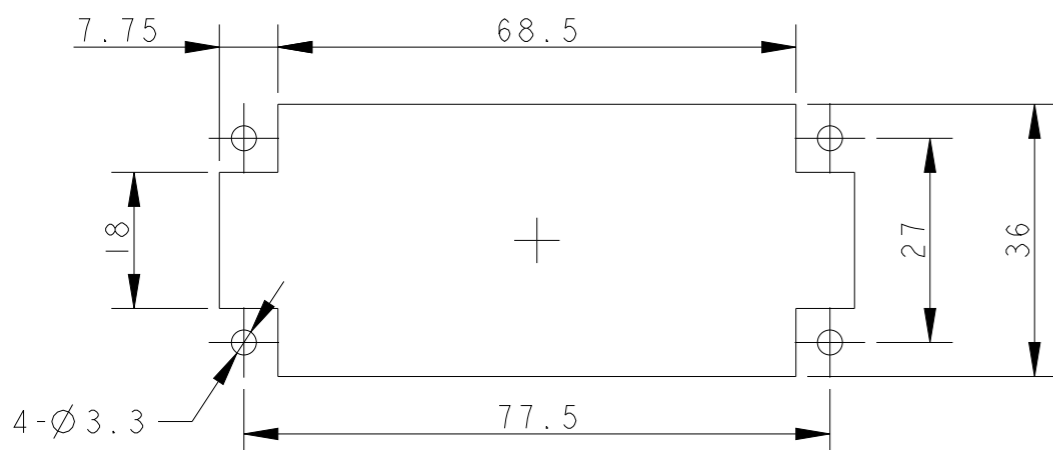
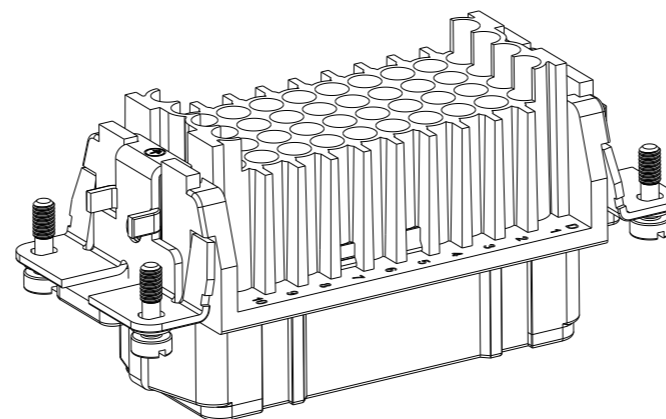
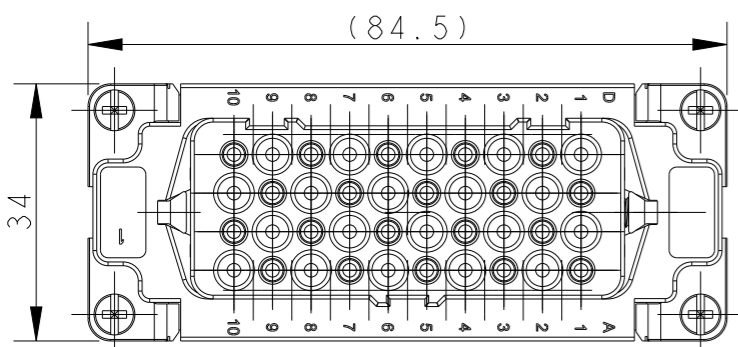
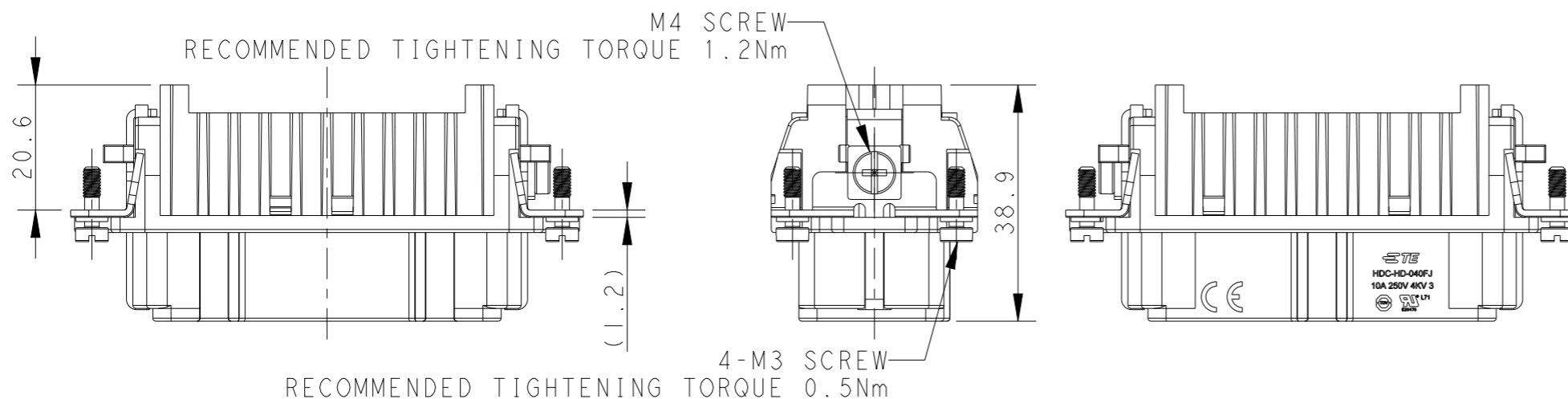
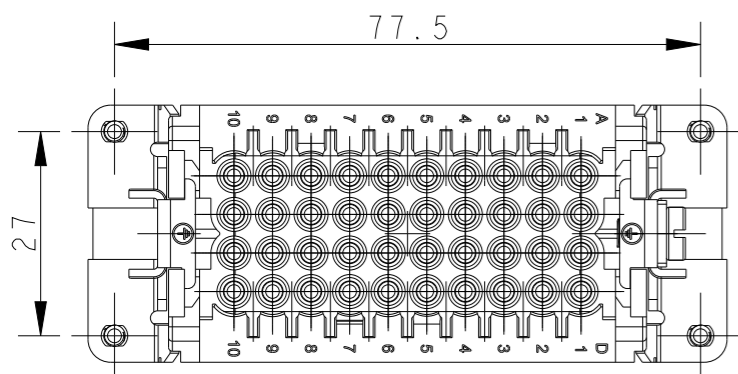


REVISIONS

P	LTR	DESCRIPTION	DATE	DWN	APVD
A		INITIAL RELEASE	16DEC2014	HMR	CW
B		ECR-15-013292	24SEP2015	DL	CW
C		ECR-21-105750	30JUN2021	BS	CW



PANEL CUT OUT FOR INSERTS FOR USE WITHOUT HOODS/HOUSINGS

NOTES:

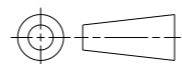
- TECHNICAL CHARACTERISTICS:
 INSULATION MATERIAL: PC
 RATED VOLTAGE: 250 V
 RATED CURRENT: 10 A
 INSULATION RESISTANCE: $\geq 400M\Omega$
 RATED IMPULSE VOLTAGE: 4 KV
 POLLUTION DEGREE: 3
 FLAMMABILITY: UL94V-0
 MATING CYCLES: 500 CYCLES
 OPERATION TEMPERATURE: $-40-+125^{\circ}C$
 WIRE RANGE: 0.14-2.5 mm² (26-14 AWG)
 CONTACT TYPE: CRIMP CONTACT
- CONTACT NEED TO BE ORDERED SEPARATELY.

注释:

- 技术参数:
 绝缘材料: PC
 额定电压: 250V
 额定电流: 10A
 绝缘电阻: $\geq 400M\Omega$
 额定脉冲电压: 4 KV
 污染等级: 3
 阻燃等级: UL94V-0
 插拔次数: 500次
 工作温度: $-40-+125^{\circ}C$
 接线范围: 0.14-2.5 mm² (26-14 AWG)
 接线类型: 冷压接
- 端子需要单独订购.

THIS DRAWING IS A CONTROLLED DOCUMENT.

DIMENSIONS: mm



TOLERANCES UNLESS OTHERWISE SPECIFIED:

0 PLC	±.0
1 PLC	±.0
2 PLC	±.0
3 PLC	±.0
4 PLC	±.0
ANGLES	±.0
FINISH	-

MATERIAL

DWN 16DEC2014 RAGHAVENDRA H M
 CHK 16DEC2014 CHRIS WANG
 APVD 16DEC2014 XU XIANG
 PRODUCT SPEC 108-137042
 APPLICATION SPEC 114-137042
 WEIGHT -

CUSTOMER DRAWING

HD-040-FJ	T2020402201-100
DESCRIPTION	PART NUMBER



TE Connectivity

NAME HD-040-FJ

SIZE A3	CAGE CODE -	DRAWING NO. ©-T2020402201100	RESTRICTED TO
---------	-------------	------------------------------	---------------

SCALE 1:1	SHEET 1 OF 1	REV C
-----------	--------------	-------