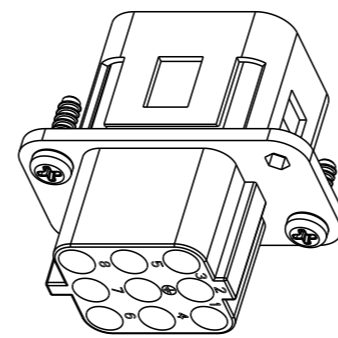
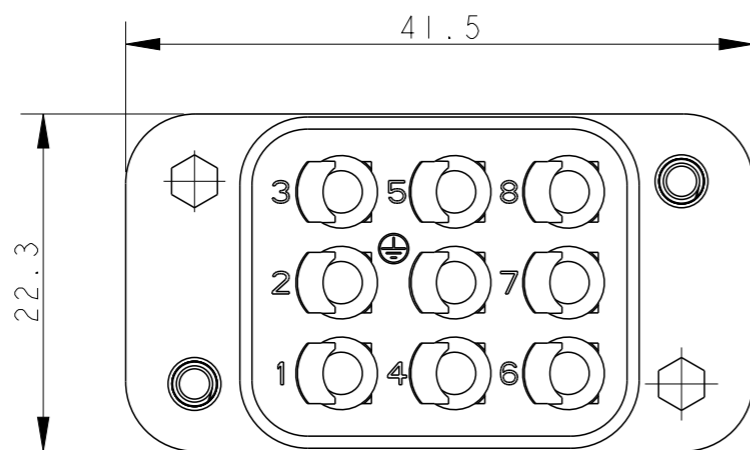


REVISIONS

P	LTR	DESCRIPTION	DATE	DWN	APVD
B1		ECR-16-000007	08JAN2016	YC	CW
B2		ECR-21-103301	12MAY2021	AL	CW
C		ECR-21-117384	12NOV2021	WQR	CW
C1		ECR-22-161571	29DEC2022	WQR	CW



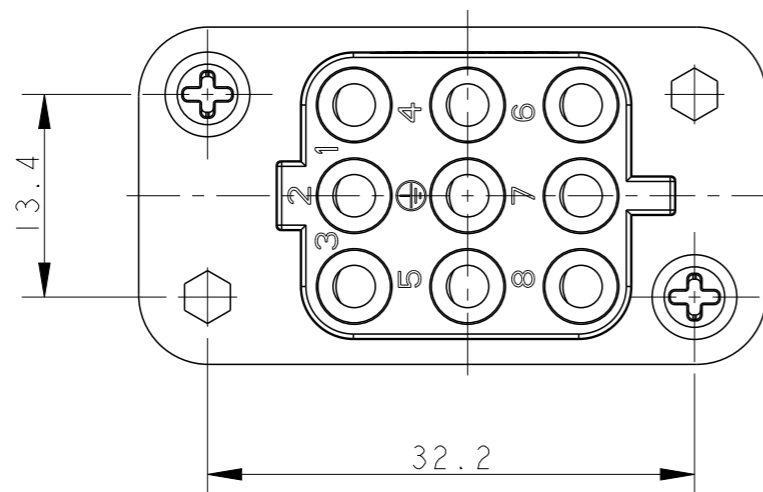
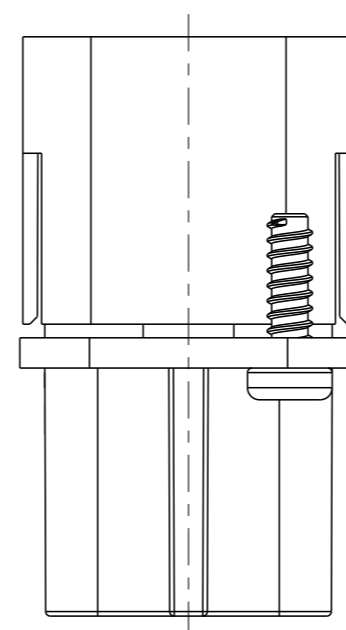
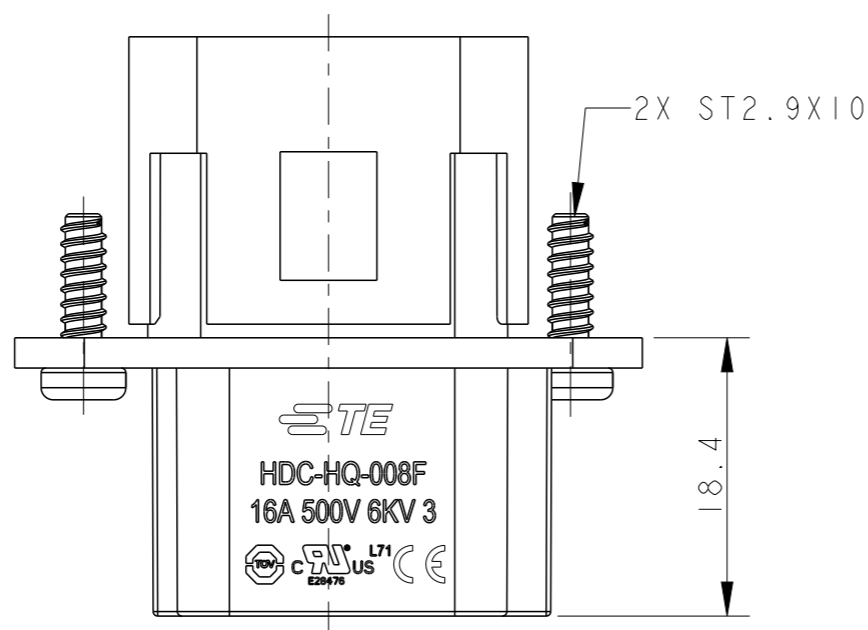
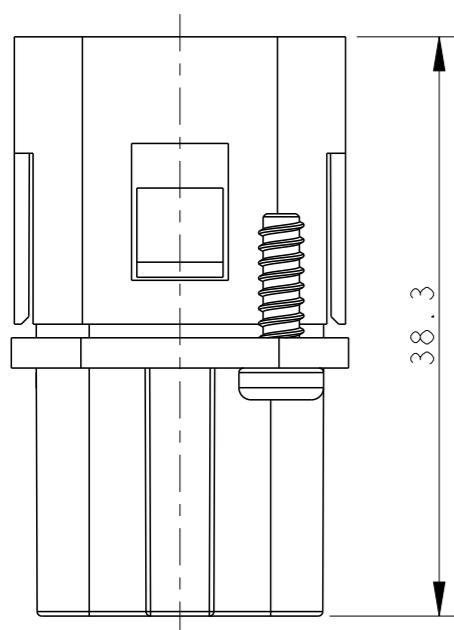
SCALE 1:1

NOTES:

- TECHNICAL CHARACTERISTICS:
 INSULATION MATERIAL: PC
 RATED VOLTAGE: 500 V
 RATED CURRENT: 16 A
 INSULATION RESISTANCE: $\geq 400M\Omega$
 RATED IMPULSE VOLTAGE: 6 KV
 POLLUTION DEGREE: 3
 FLAMMABILITY: UL94V-0
 MATING CYCLES: 500 CYCLES
 WIRE RANGE: 0.14-4.0 mm² (26-12 AWG)
 CONTACT TYPE: CRIMP CONTACT
- CONTACT NEED TO BE ORDERED SEPARATELY.
 (ORDER No. REFER TO DRAWING: T20300X20XX000)

注释:

- 技术参数:
 绝缘材料: PC
 额定电压: 500V
 额定电流: 16A
 绝缘电阻: $\geq 400M\Omega$
 额定脉冲电压: 6 KV
 污染等级: 3
 阻燃等级: UL94V-0
 插拔次数: 500次
 接线范围: 0.14-4.0 mm² (26-12 AWG)
 接线类型: 冷压接
- 端子需要单独订购.
 (订货号参考图面: T20300X20XX000)



T2019092201-000	HQ-008-F	HQ-008 FEMALE INSERT HQ-008母插
PART NUMBER 料号	PART DESCRIPTION 描述	

THIS DRAWING IS A CONTROLLED DOCUMENT.

DIMENSIONS:	TOLERANCES UNLESS OTHERWISE SPECIFIED:
mm	
	0 PLC ±-
	1 PLC ±-
	2 PLC ±-
	3 PLC ±-
	4 PLC ±-
	ANGLES ±-
MATERIAL	FINISH
-	-
-	-

DWN	31MAR2015	 TE Connectivity	NAME	HQ-008-F	RESTRICTED TO
CHK	31MAR2015				
APVD	31MAR2015				
PRODUCT SPEC	108-137115				
APPLICATION SPEC	114-137115	SIZE	CAGE CODE	DRAWING NO	
WEIGHT	-	A3	-	©-T2019092201000	
CUSTOMER DRAWING	SCALE	2:1	SHEET	1 OF 1	REV
					C1