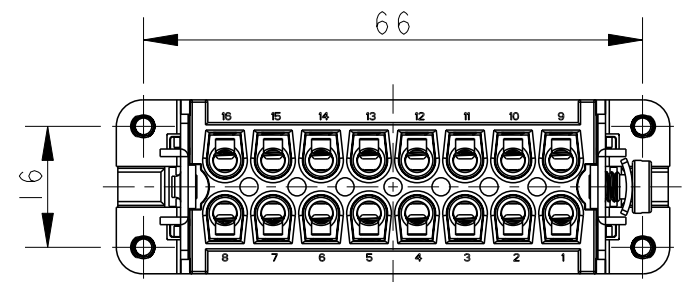
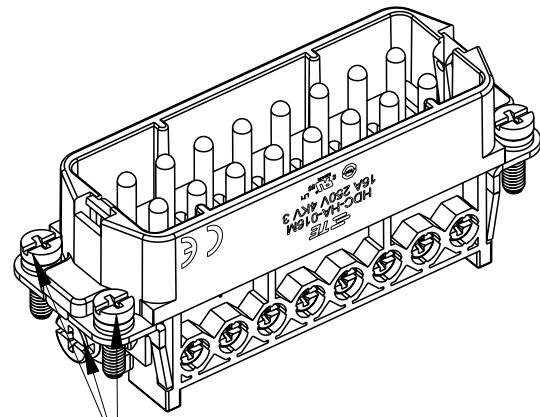


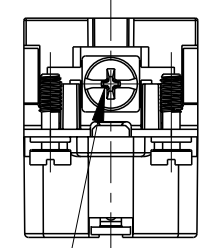
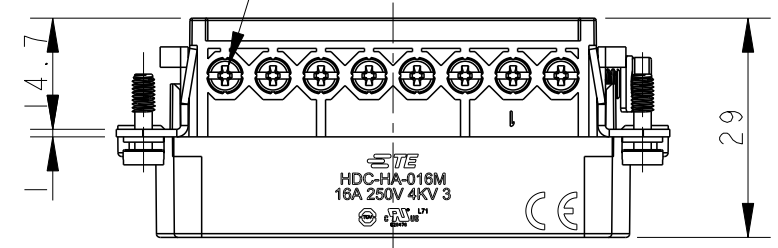
THIS DRAWING IS UNPUBLISHED. RELEASED FOR PUBLICATION 20  
 © COPYRIGHT 20 BY - ALL RIGHTS RESERVED.

REVISIONS				
P	LTR	DESCRIPTION	DATE	APVD
	B	INITIAL	12DEC2017	YC CW
	BI	ECR-18-008588	09JUL2018	KW CW
	C	ECR-20-016101	09JUN2021	BS CW



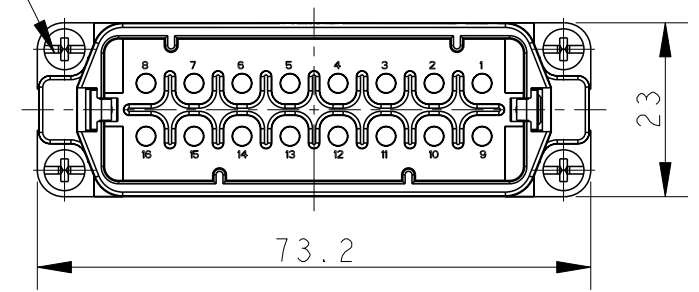
STAINLESS STEEL SCREW  
 不锈钢螺丝

16X M3 SCREW, RECOMMENDED  
 TIGHTENING TORQUE 0.5N.m  
 16X M3 螺丝, 推荐锁紧力矩0.5N.m



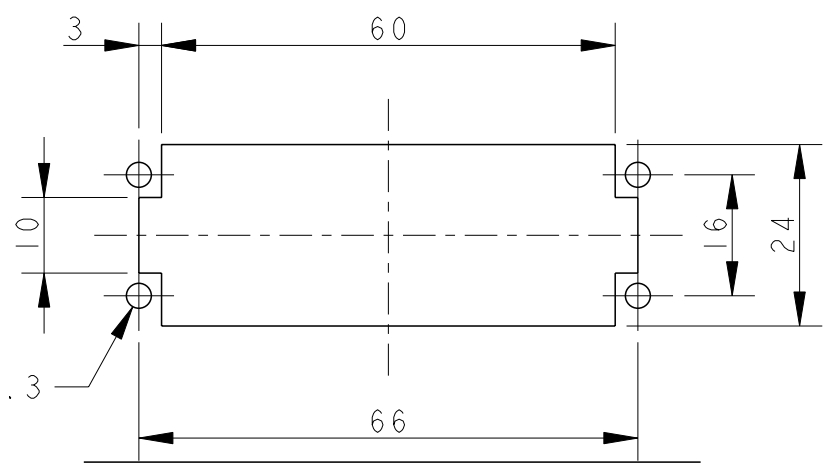
M4 SCREW, RECOMMENDED  
 TIGHTENING TORQUE 1.2N.m  
 M4螺丝, 推荐锁紧力矩1.2N.m

4X M3 SCREW, RECOMMENDED  
 TIGHTENING TORQUE 0.5N.m  
 4X M3 螺丝, 推荐锁紧力矩0.5N.m



NOTES:  
 1. TECHNICAL CHARACTERISTICS:  
 INSULATION MATERIAL: PC  
 RATED VOLTAGE: 250V  
 RATED CURRENT: 16A  
 INSULATION RESISTANCE: >=400MΩ  
 RATED IMPULSE VOLTAGE: 4KV  
 POLLUTION DEGREE: 3  
 FLAMMABILITY: UL94V-0  
 MATING CYCLES: 500 CYCLES  
 WIRE RANGE: 0.5-2.5 mm<sup>2</sup> (20-14 AWG)  
 CONTACT FINISH: SILVER PLATED  
 CONTACT TYPE: SCREW CONTACT

注释:  
 1. 技术参数:  
 绝缘材料: PC  
 额定电压: 250V  
 额定电流: 16A  
 绝缘电阻: >=400MΩ  
 额定脉冲电压: 4KV  
 污染等级: 3  
 阻燃等级: UL94V-0  
 插拔次数: 500 次  
 接线范围: 0.5-2.5 mm<sup>2</sup> (20-14 AWG)  
 端子表面处理: 镀银  
 接线类型: 螺丝连接



PANEL CUT FOR INSERTS FOR USE  
 WITHOUT HOODS/ HOUSINGS  
 不使用防护外壳时芯件的安装开孔图

T2010162101-002	HA-016-M	HA-016 MALE INSERT, STAINLESS STEEL GROUNDING SCREW HA-016 公插, 不锈钢接地螺丝
PART NUMBER 料号	PART DESCRIPTION 描述	

THIS DRAWING IS A CONTROLLED DOCUMENT.		DWN YORK CHEN 12DEC2017	TE Connectivity			
DIMENSIONS: mm 		CHK GINO YAO 12DEC2017			NAME HA-016-M	
		APVD CHRIS WANG 12DEC2017				
TOLERANCES UNLESS OTHERWISE SPECIFIED:		PRODUCT SPEC 108-137045			APPLICATION SPEC 114-137045	
MATERIAL -	FINISH -	WEIGHT -	SIZE A3	CAGE CODE 00779	DRAWING NO. T2010162101002	RESTRICTED TO -
CUSTOMER DRAWING		SCALE 1:1	SHEET 1 OF 1	REV C		

printed on 18 Jun 2021 14:37 (China Standard Time) from TE236667