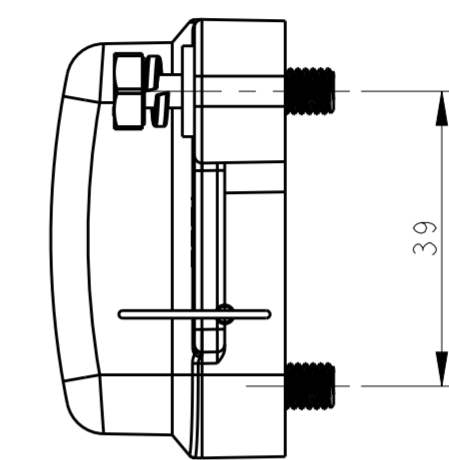
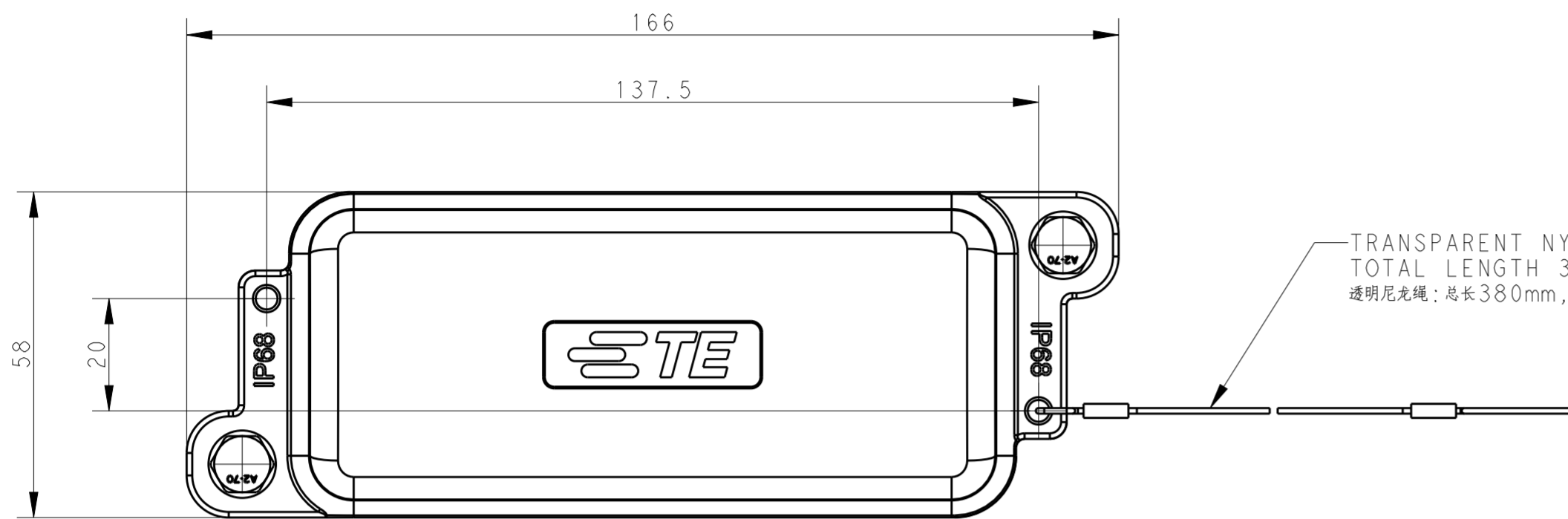
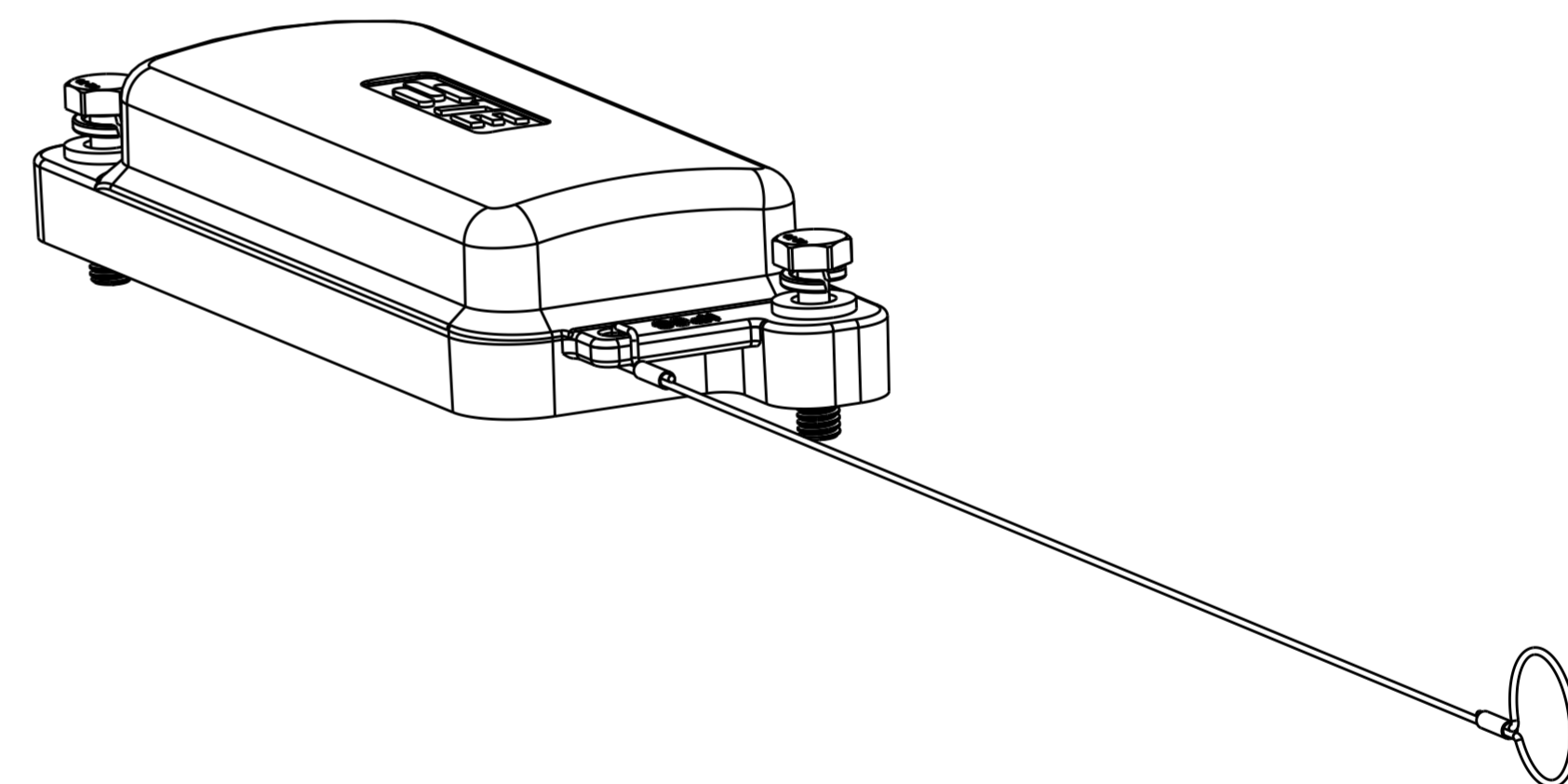
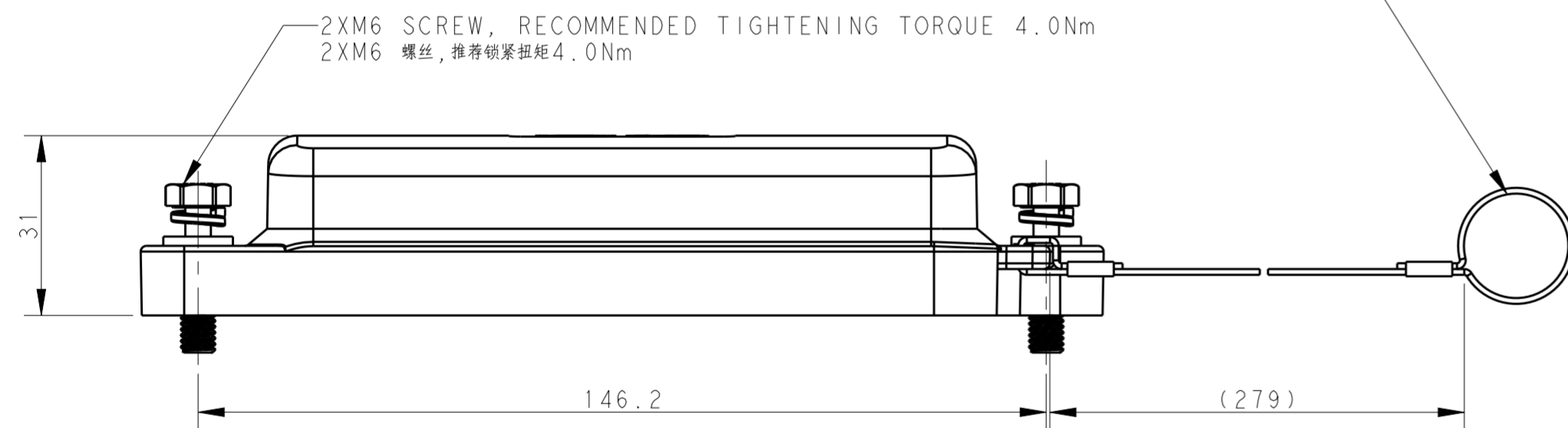


THIS DRAWING IS UNPUBLISHED. RELEASED FOR PUBLICATION 20
 © COPYRIGHT 20 BY - ALL RIGHTS RESERVED.

REVISIONS				
P	LTR	DESCRIPTION	DATE	APVD
A		INITIAL RELEASE	14JUN2015	GY CW
B		ECR-16-009889	12JUL2016	GY CW
B1		ECR-17-007543	02JUN2017	CH CW



LOOP SIZE DEFAULT VALUE DIA. Ø18,
 UNLESS HAVE SPECIAL REQUIREMENT.
 套圈大小默认值直径是Ø18, 除非有特别要求.



NOTES:
 1. TECHNICAL CHARACTERISTICS:
 COVER MATERIAL: DIE CAST ALUMINIUM ALLOY
 SURFACE TREATMENT: SEE TABLE

注释
 1. 技术参数:
 壳体材料: 铝合金
 表面处理: 见表格

T1990160000-000	HI6BPR-KDBM	HI6BPR HOUSING METAL PROTECTION COVER, DIAGONAL LOCKING, NYLON ROPE, BLACK HI6BPR对角锁定金属保护盖, 尼龙绳, 黑色
PART NUMBER 料号		PART DESCRIPTION 描述
THIS DRAWING IS A CONTROLLED DOCUMENT.		DWN GINO.YAO 14JUN2015 CHK CHRIS.WANG 14JUN2015 APVD XIANG.XU 14JUN2015
DIMENSIONS: mm	TOLERANCES UNLESS OTHERWISE SPECIFIED: 0 PLC ± 1 PLC ± 2 PLC ± 3 PLC ± 4 PLC ± ANGLES ± FINISH	NAME HI6BPR-KDBM
MATERIAL		PRODUCT SPEC APPLICATION SPEC WEIGHT CUSTOMER DRAWING
		SIZE A2 CAGE CODE - DRAWING NO. C-T1990160000000 RESTRICTED TO - SCALE 1:1 SHEET 1 OF 1 REV B1