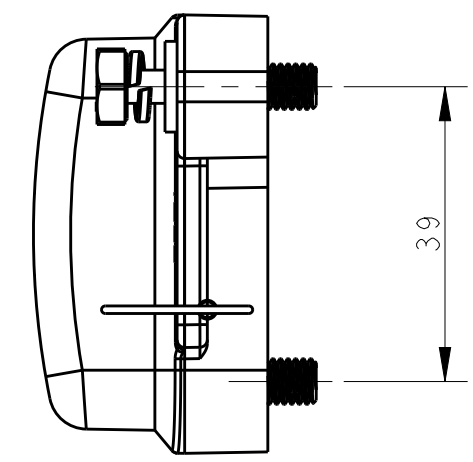
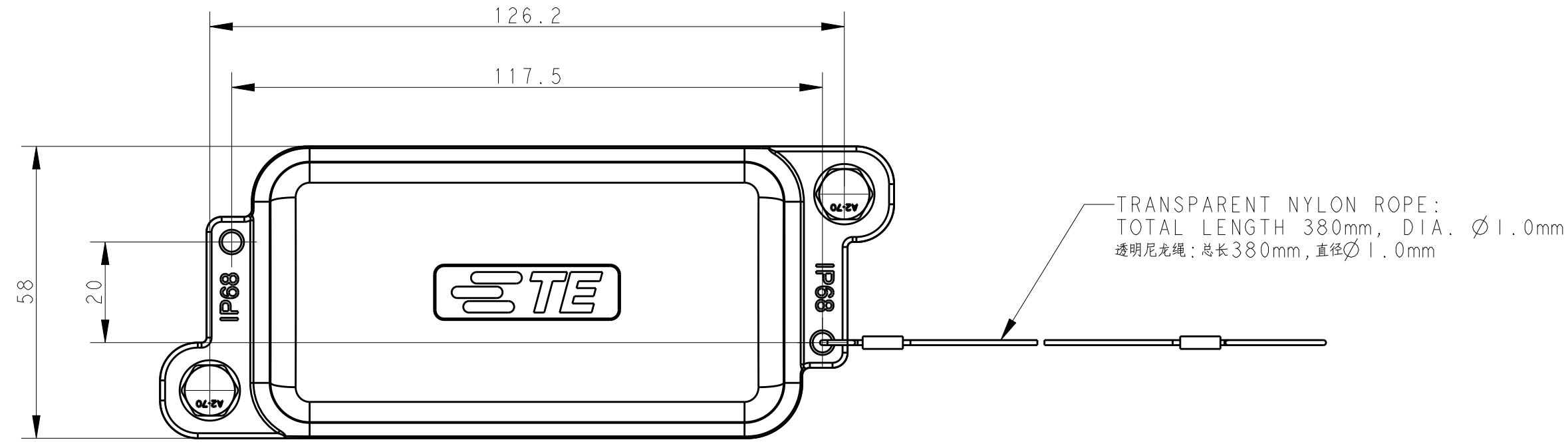
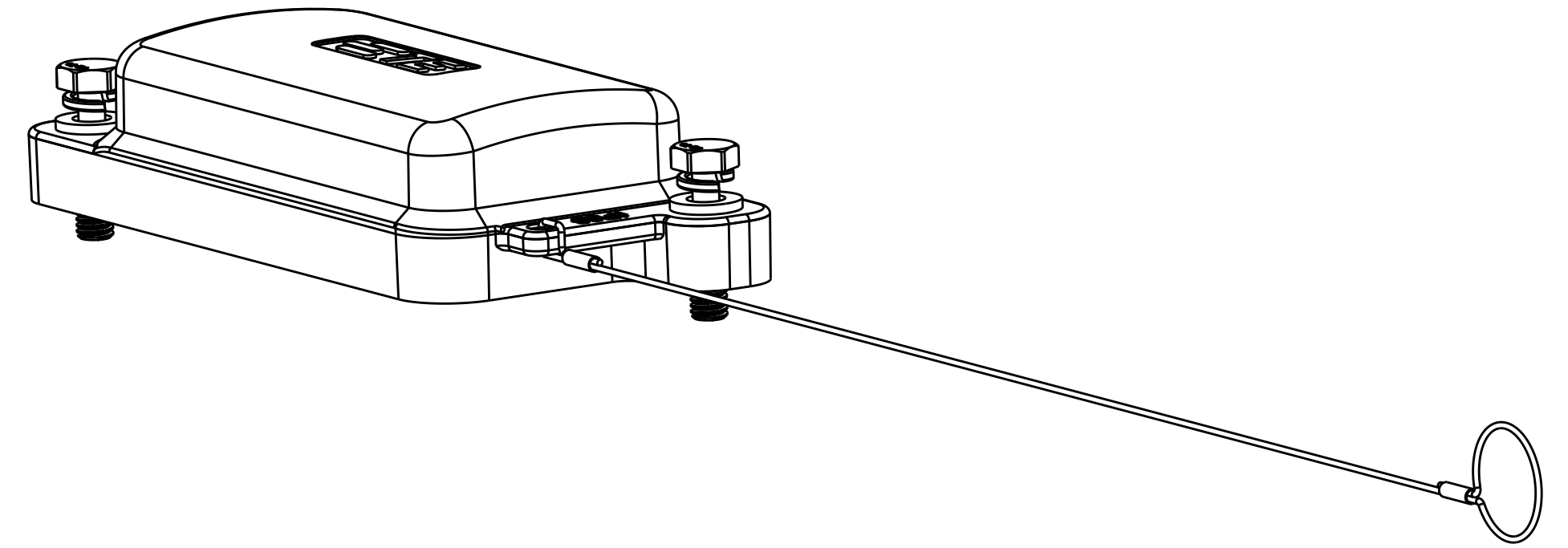
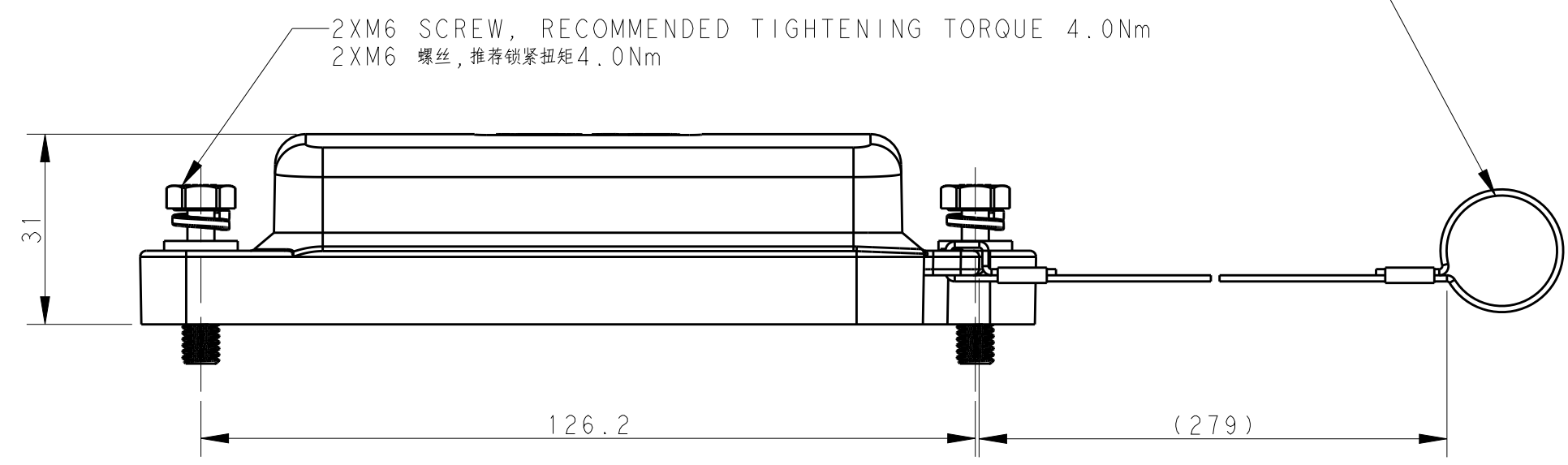


THIS DRAWING IS UNPUBLISHED. RELEASED FOR PUBLICATION 20
 © COPYRIGHT 20 BY - ALL RIGHTS RESERVED.

REVISIONS					
P	LTR	DESCRIPTION	DATE	DWN	APVD
A		INITIAL RELEASE	11JUN2015	GY	CW
B		ECR-16-009889	12JUL2016	GY	CW
B1		ECR-17-007543	02JUN2017	CH	CW



LOOP SIZE DEFAULT VALUE DIA. Ø18,
UNLESS HAVE SPECIAL REQUIREMENT.
套圈大小默认值直径是Ø18, 除非有特别要求.



NOTES:
1. TECHNICAL CHARACTERISTICS:
COVER MATERIAL: DIE CAST ALUMINIUM ALLOY
SURFACE TREATMENT: SEE TABLE

注释
1. 技术参数:
壳体材料: 铝合金
表面处理: 见表格

T1990100000-000		H10BPR-KDBM	H10BPR HOUSING METAL PROTECTION COVER, DIAGONAL LOCKING, NYLON ROPE, BLACK H10BPR 对角锁定金属保护盖, 尼龙绳, 黑色		
PART NUMBER 料号		PART DESCRIPTION 描述			
THIS DRAWING IS A CONTROLLED DOCUMENT.		DWN GINO.YAO 11JUN2015	TE Connectivity NAME H10BPR-KDBM		
DIMENSIONS: mm		CHK CHRIS.WANG 11JUN2015			
TOLERANCES UNLESS OTHERWISE SPECIFIED:		APVD XIANG.XU 11JUN2015			
0 PLC ± 1 PLC ± 2 PLC ± 3 PLC ± 4 PLC ± ANGLES ± FINISH -		PRODUCT SPEC - APPLICATION SPEC - WEIGHT -			
MATERIAL	-	-	SIZE A2	CAGE CODE -	DRAWING NO G-T1990100000000
CUSTOMER DRAWING			SCALE 1:1	SHEET 1	OF 1
					REV B1