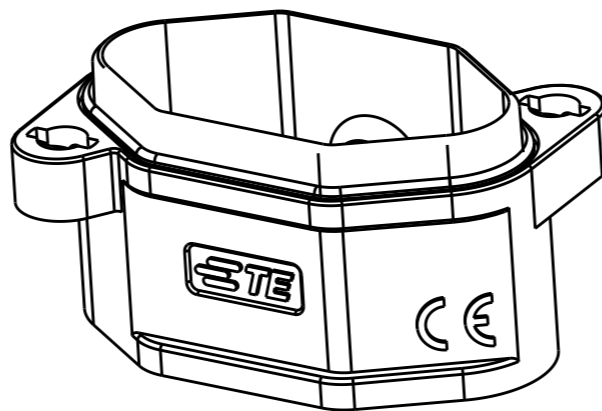
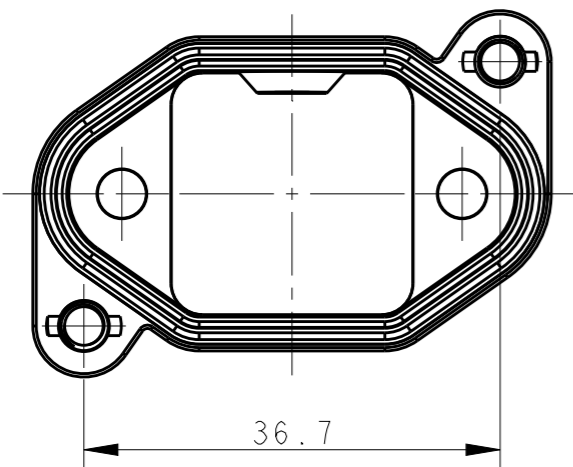


THIS DRAWING IS UNPUBLISHED. RELEASED FOR PUBLICATION 20
 © COPYRIGHT 20 BY - ALL RIGHTS RESERVED.

REVISIONS

P	LTR	DESCRIPTION	DATE	DWN	APVD
	A	INITIAL RELEASE	27MAY2015	DL	CW
	A1	ECR-16-014287	12OCT2016	QY	CW
	A2	ECR-17-010637	25JUL2017	QY	CW
	B	ECR-20-010586	15DEC2020	BS	CW

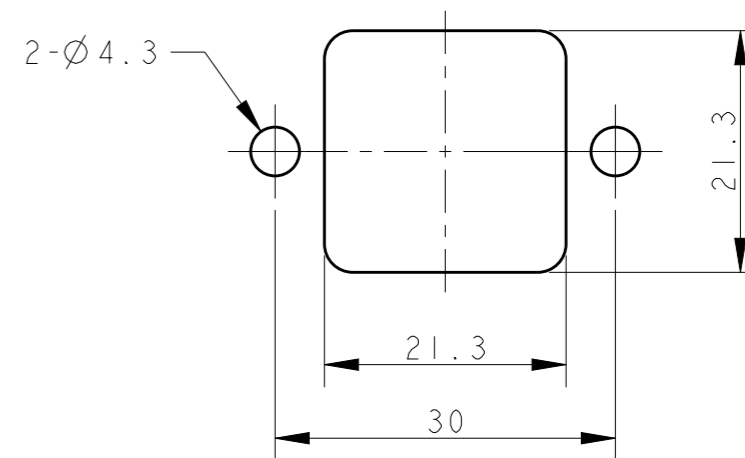
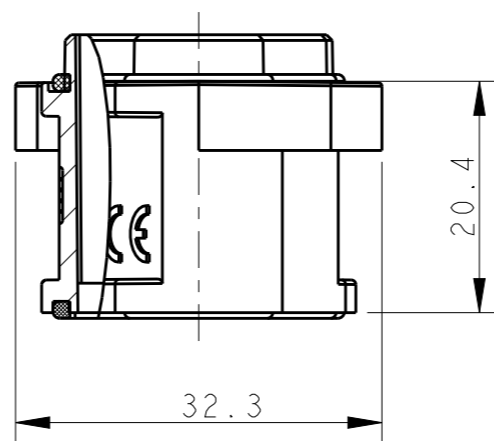
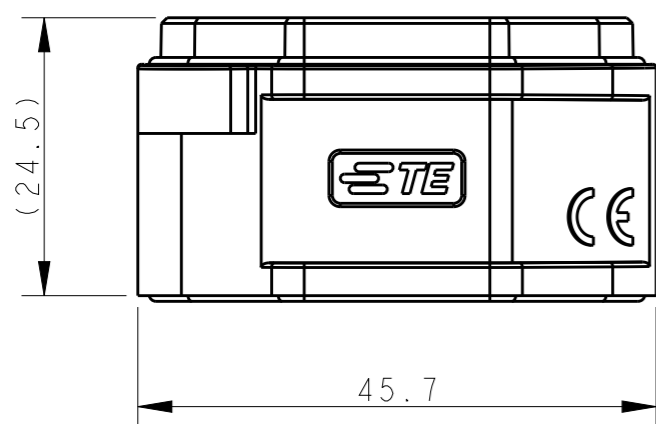


TYPE-1:TE LOGO
 类型-1:TE LOGO

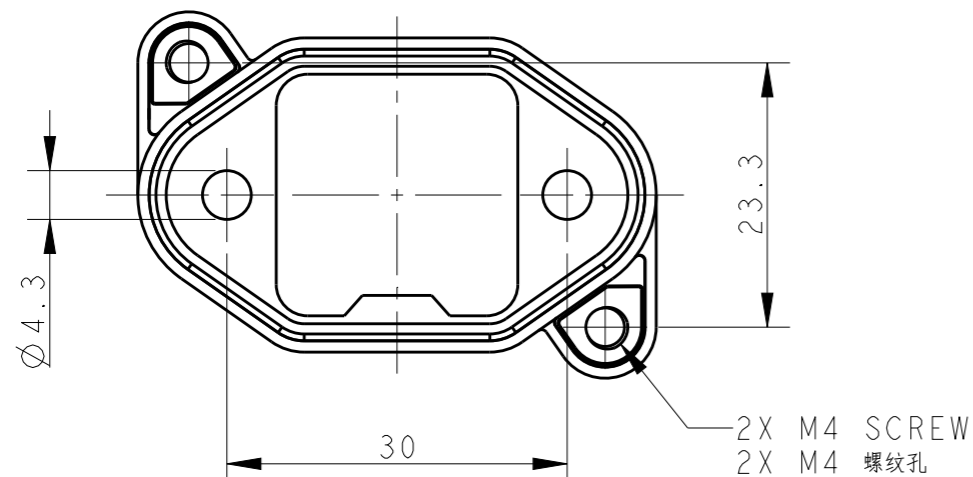
NOTES:
 1. TECHNICAL CHARACTERISTICS:
 HOUSING MATERIAL: DIE CAST ZINC ALLOY
 SURFACE : SEE TABLE
 DEGREE OF PROTECTION: IP68 (MATED)


注释
 1. 技术参数:
 壳体材料: 锌合金
 表面处理: 见表格
 防护等级: IP68 (配合)

SEAL FOR ASSY. "T1937031001-000",
 SEAL NEED TO BE FIXED BY GLUE
 针对料号 "T1937031001-000" 密封圈需要胶水粘牢



PANEL CUT OUT DIMENSION, ONLY FOR REFERENCE
 面板开口尺寸, 仅供参考



THIS DRAWING IS A CONTROLLED DOCUMENT.		DWN 27MAY2015 DAVID LI	 TE Connectivity	
DIMENSIONS: mm		CHK 27MAY2015 CHRIS WANG		
TOLERANCES UNLESS OTHERWISE SPECIFIED:		APVD 27MAY2015 XU XIANG	NAME H3APR-MAGSW	
0 PLC ±-		PRODUCT SPEC 108-137011	SIZE A3	
1 PLC ±-		APPLICATION SPEC 114-137011	CAGE CODE -	DRAWING NO C-T193703X00X000
2 PLC ±-		WEIGHT -	RESTRICTED TO	
3 PLC ±-		CUSTOMER DRAWING	SCALE 3:2	SHEET 1 OF 2
4 PLC ±-				REV B
ANGLES ±-				
FINISH -				
MATERIAL -				

THIS DRAWING IS UNPUBLISHED.

RELEASED FOR PUBLICATION

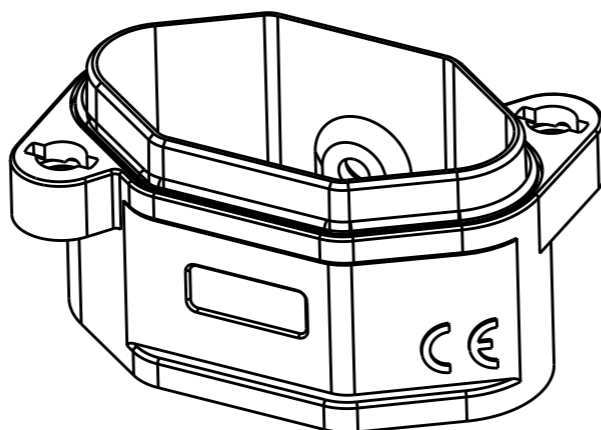
20

© COPYRIGHT 20 BY -

ALL RIGHTS RESERVED.

REVISIONS

P	LTR	DESCRIPTION	DATE	DWN	APVD
-		SEE SHEET 1	-	-	-



NOTES:
SEE SHEET 1

TYPE-2: NO LOGO, ALL THE DIMENSION ARE THE SAME WITH TYPE-1, EXCEPT LOGO.

类型-2: 无 LOGO, 除了LOGO所有的尺寸与类型-1一致.

T1937032000-000	H3APR-MAGSW	H3APR HOUSING, DIAGONAL INNER-HEX SCREW LOCKING, BULKHEAD MOUNTED, POWDER COATED, DEEP GREY, NO LOGO H3APR下壳, 内六角螺丝对角锁定, 开孔安装, (深灰色)粉末喷涂, 无LOGO	TYPE-2 类型-2
T1937030000-000	H3APR-MAGSW	H3APR HOUSING, DIAGONAL INNER-HEX SCREW LOCKING, BULKHEAD MOUNTED, POWDER COATED, BLACK H3APR下壳, 内六角螺丝对角锁定, 开孔安装, 黑色粉末喷涂	TYPE-1 类型-1
T1937031000-000	H3APR-MAGSW	H3APR HOUSING, DIAGONAL INNER-HEX SCREW LOCKING, BULKHEAD MOUNTED, POWDER COATED, SILVER WHITE H3APR下壳, 内六角螺丝对角锁定, 开孔安装, 银白色粉末喷涂	
T1937031001-000	H3APR-MAGSW	H3APR HOUSING, DIAGONAL INNER-HEX SCREW LOCKING, BULKHEAD MOUNTED, POWDER COATED, SILVER WHITE (SEAL FIXED BY GLUE) H3APR下壳, 内六角螺丝对角锁定, 开孔安装, 银白色粉末喷涂 (密封圈用胶水粘牢)	
PART NUMBER 料号	PART DESCRIPTION 描述		TYPE 类型

THIS DRAWING IS A CONTROLLED DOCUMENT.

DIMENSIONS:	TOLERANCES UNLESS OTHERWISE SPECIFIED:
mm	
	0 PLC ±-
	1 PLC ±-
	2 PLC ±-
	3 PLC ±-
	4 PLC ±-
	ANGLES ±-
MATERIAL	FINISH
-	-
-	-

DWN	27MAY2015
DAVID LI	
CHK	27MAY2015
CHRIS WANG	
APVD	27MAY2015
XU XIANG	
PRODUCT SPEC	108-137011
APPLICATION SPEC	114-137011
WEIGHT	-
CUSTOMER DRAWING	

		NAME		RESTRICTED TO
		H3APR-MAGSW		
SIZE	CAGE CODE	DRAWING NO		
A3	-	©-T193703X00X000		
SCALE		SHEET	OF	REV
3:2		2	2	B