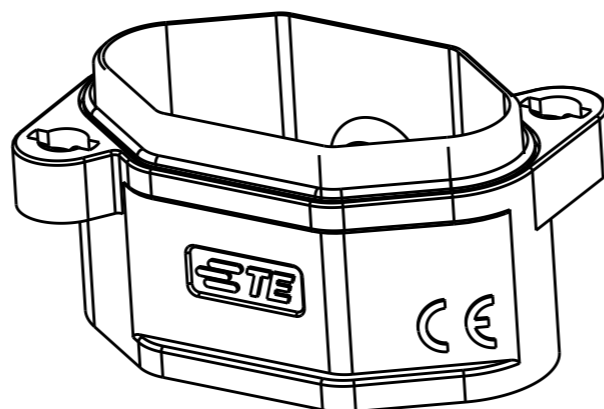
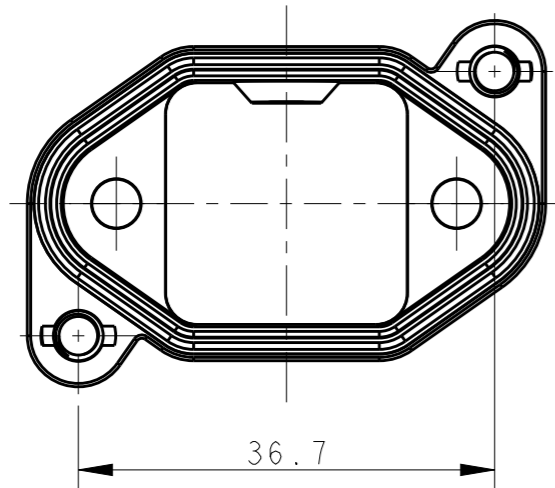


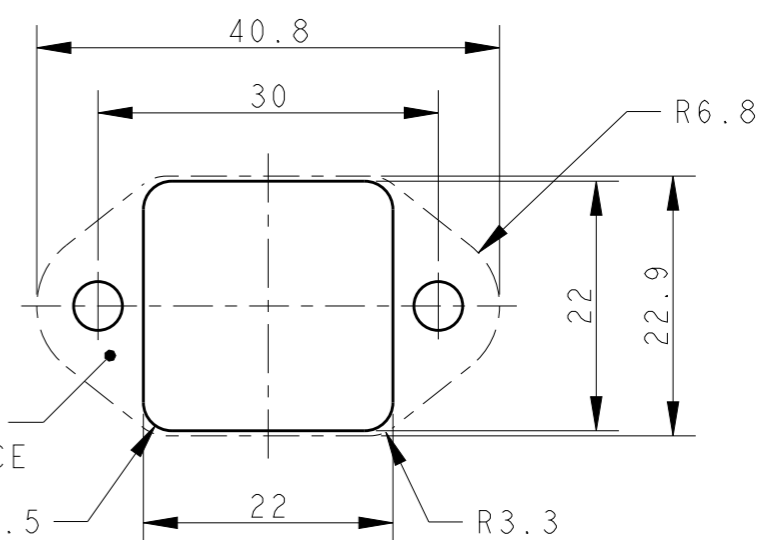
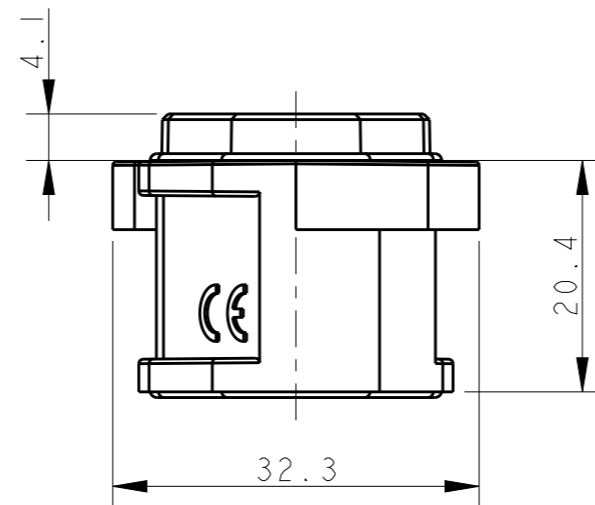
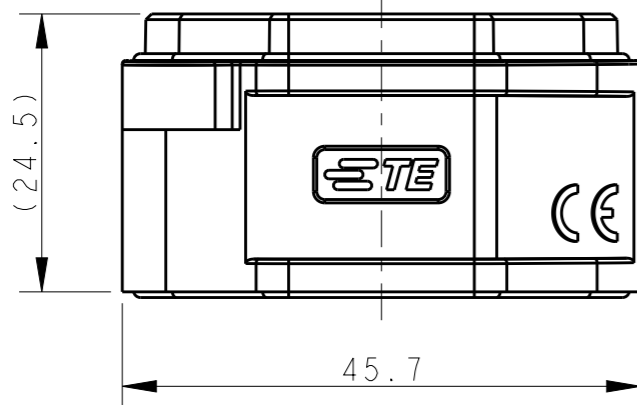
THIS DRAWING IS UNPUBLISHED. RELEASED FOR PUBLICATION 20  
 © COPYRIGHT 20 BY - ALL RIGHTS RESERVED.

| REVISIONS |     |                 |           |     |      |
|-----------|-----|-----------------|-----------|-----|------|
| P         | LTR | DESCRIPTION     | DATE      | DWN | APVD |
|           | A   | INITIAL RELEASE | 27SEP2016 | DW  | CW   |
|           | B   | ECR-20-007462   | 09JUL2020 | BS  | CW   |
|           |     |                 |           |     |      |



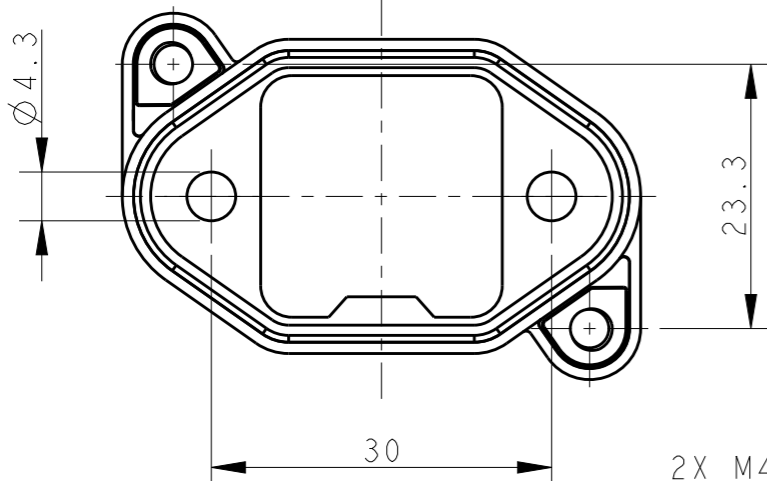
NOTES:  
 1. TECHNICAL CHARACTERISTICS:  
 HOUSING MATERIAL: DIE CAST ZINC ALLOY  
 SURFACE : SEE TABLE  
 DEGREE OF PROTECTION: IP68 (MATED)

注释  
 1. 技术参数:  
 壳体材料: 锌合金  
 表面处理: 见表格  
 防护等级: IP68 (配合)




FOR EMC FEATURES,  
 CONDUCTIVE SURFACE

Panel Cut Out Dimension, Only for Reference  
 面板开口尺寸, 仅供参考



2X M4 THREAD  
 2X M4 螺纹孔

|  |  |                                |   |                                |                 |
|--|--|--------------------------------|---|--------------------------------|-----------------|
| THIS DRAWING IS A CONTROLLED DOCUMENT. |  | DWN 27SEP2016<br>DAVID WANG    |  TE Connectivity |                                |                 |
| DIMENSIONS:<br>mm                      |  | CHK 27SEP2016<br>CHRIS WANG    |   |                                |                 |
| TOLERANCES UNLESS OTHERWISE SPECIFIED: |  | APVD 27SEP2016<br>XIANG XU     | PRODUCT SPEC<br>108-137187  |                                | RESTRICTED TO   |
| 0 PLC ±-                               |  | APPLICATION SPEC<br>114-137187 |   | SIZE<br>A3                     | CAGE CODE<br>-  |
| 1 PLC ±-                               |  | WEIGHT<br>-                    |   | DRAWING NO<br>C-T193703X000009 |                 |
| 2 PLC ±-                               |  | CUSTOMER DRAWING               |   | SCALE<br>3:2                   | SHEET<br>1 OF 2 |
| 3 PLC ±-                               |  |                                |   | REV<br>B                       |                 |
| 4 PLC ±-                               |  |                                |   |                                |                 |
| ANGLES ±-                              |  |                                |   |                                |                 |
| MATERIAL<br>-                          |  |                                |   |                                |                 |
| FINISH<br>-                            |  |                                |   |                                |                 |

THIS DRAWING IS UNPUBLISHED.

RELEASED FOR PUBLICATION 20

© COPYRIGHT 20 BY - ALL RIGHTS RESERVED.

REVISIONS

| P | LTR | DESCRIPTION | DATE | DWN | APVD |
|---|-----|-------------|------|-----|------|
| - |     | SEE SHEET 1 | -    | -   | -    |
|   |     |             |      |     |      |
|   |     |             |      |     |      |

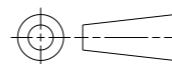
NOTES:  
SEE SHEET 1

|                   |                        |   |
|-------------------|------------------------|---|
| T1937032000-009   | H3APR-MAGSW-EMC-C      | H3APR HOUSING, DIAGONAL INNER-HEX SCREW LOCKING, BULKHEAD MOUNTED, POWDER COATED, GREY<br>H3APR 内六角螺丝对角锁定开孔下壳 灰色          |
| T1937031000-009   | H3APR-MAGSW-EMC-C      | H3APR HOUSING, DIAGONAL INNER-HEX SCREW LOCKING, BULKHEAD MOUNTED, POWDER COATED, SILVER WHITE<br>H3APR 内六角螺丝对角锁定开孔下壳 银白色 |
| T1937030000-009   | H3APR-MAGSW-EMC-C      | H3APR HOUSING, DIAGONAL INNER-HEX SCREW LOCKING, BULKHEAD MOUNTED, POWDER COATED, BLACK<br>H3APR 内六角螺丝对角锁定开孔下壳 黑色         |
| PART NUMBER<br>料号 | PART DESCRIPTION<br>描述 |   |

THIS DRAWING IS A CONTROLLED DOCUMENT.

DIMENSIONS:

mm



TOLERANCES UNLESS OTHERWISE SPECIFIED:

|        |    |
|--------|----|
| 0 PLC  | ±- |
| 1 PLC  | ±- |
| 2 PLC  | ±- |
| 3 PLC  | ±- |
| 4 PLC  | ±- |
| ANGLES | ±- |

MATERIAL

-

FINISH

-

DWN 27SEP2016

DAVID WANG

CHK 27SEP2016

CHRIS WANG

APVD 27SEP2016

XIANG XU

PRODUCT SPEC

108-137187

APPLICATION SPEC

114-137187

WEIGHT

-

CUSTOMER DRAWING



TE Connectivity

NAME  
H3APR-MAGSW-EMC-C

SIZE CAGE CODE DRAWING NO RESTRICTED TO

A3

-

©-T193703X000009

-

SCALE 3:2 SHEET 2 OF 2 REV B