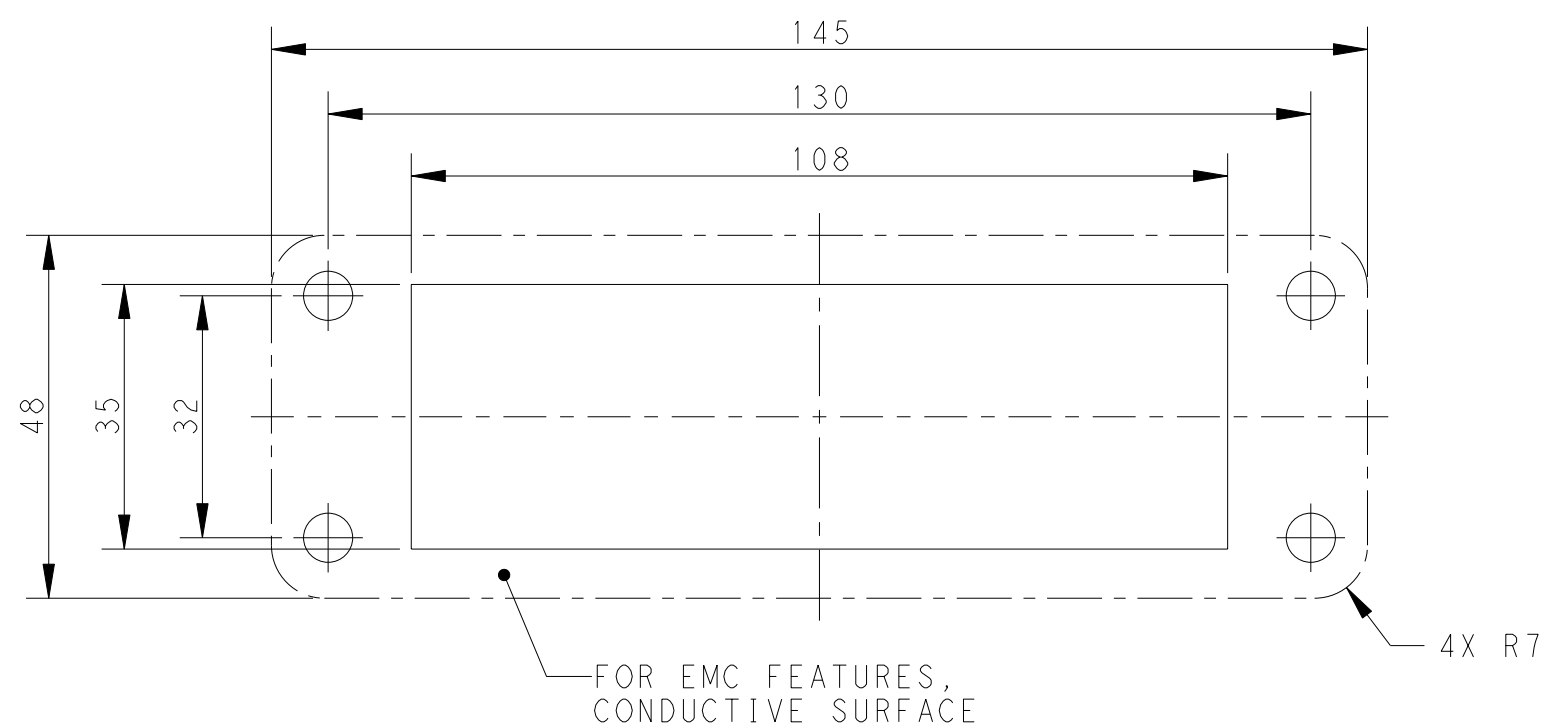
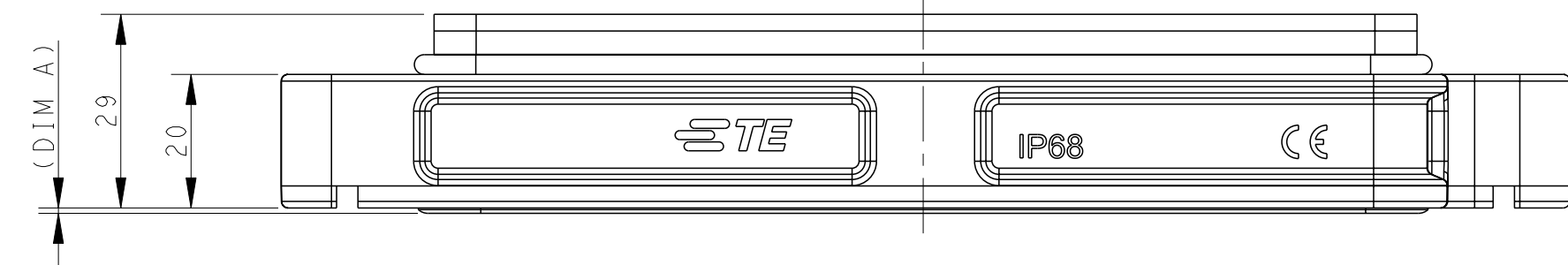
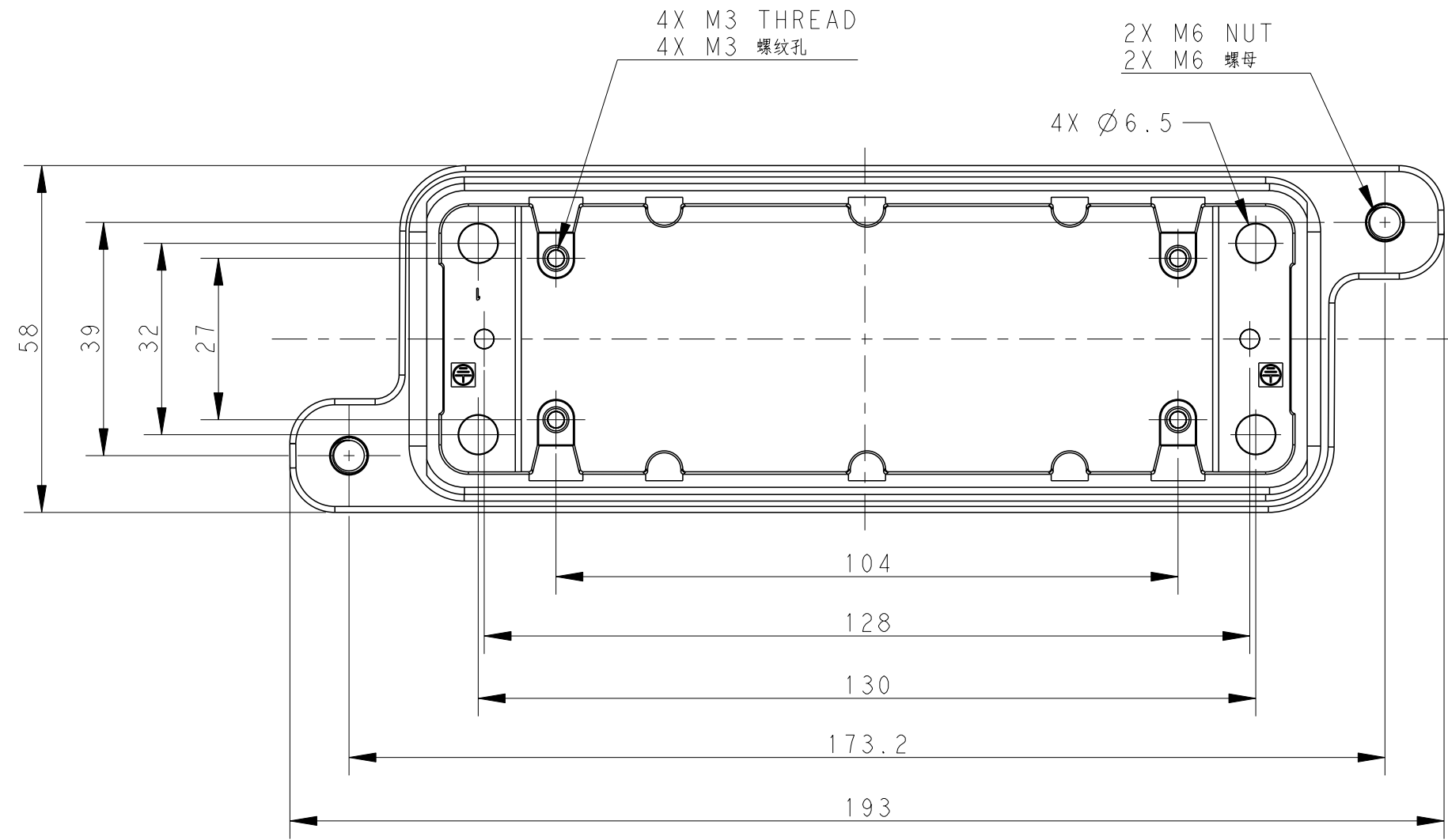
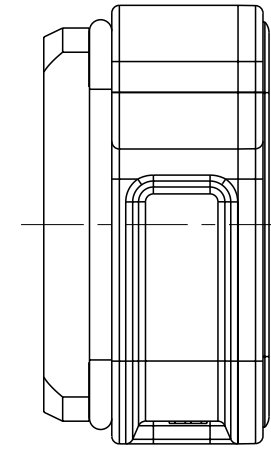


THIS DRAWING IS UNPUBLISHED. RELEASED FOR PUBLICATION 20  
 © COPYRIGHT 20 BY - ALL RIGHTS RESERVED.

REVISIONS					
P	LTR	DESCRIPTION	DATE	DWN	APVD
A		INITIAL RELEASE	24AUG2016	DW	CW
A1		ECR-19-002423	15FEB2019	CD	CW
B		ECR-20-016312	04JUN2021	BS	CW

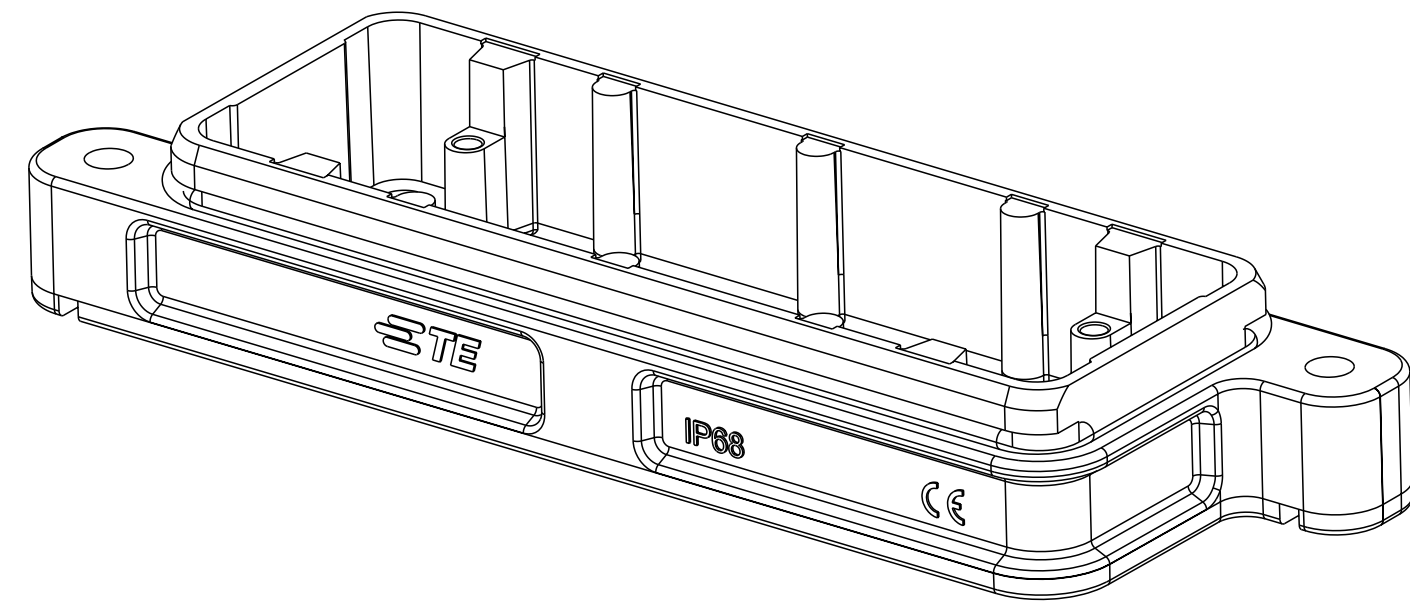


Panel Cut Out Dimension, Only for Reference  
 面板开口尺寸, 仅供参考



NOTES:  
 1. TECHNICAL CHARACTERISTICS:  
 HOUSING MATERIAL: DIE CAST ALUMINIUM ALLOY  
 SURFACE: SEE TABLE  
 DEGREE OF PROTECTION: IP68 (MATED)

注释:  
 1. 技术参数:  
 壳体材料: 铝合金  
 表面处理: 见表格  
 防护等级: IP68 (配合)



T1930240000-109	H24BPR-AG-EMC-C	H24BPR HOUSING, DIAGONAL LOCKING, BULKHEAD MOUNTED THICKER GASKET, PASSIVATION+POWDER COATED, BLACK H24BPR下壳, 对角锁定, 开孔安装, 加厚密封垫, 钝化+黑色粉末喷涂	1.2
T1930242000-009	H24BPR-AG-EMC-C	H24BPR HOUSING, DIAGONAL LOCKING, BULKHEAD MOUNTED PASSIVATION+POWDER COATED, GREY H24BPR下壳, 对角锁定, 开孔安装, 钝化+灰色粉末喷涂	0.8
T1930241000-009	H24BPR-AG-EMC-C	H24BPR HOUSING, DIAGONAL LOCKING, BULKHEAD MOUNTED PASSIVATION+POWDER COATED, SILVER WHITE H24BPR下壳, 对角锁定, 开孔安装, 钝化+银白色粉末喷涂	0.8
T1930240000-009	H24BPR-AG-EMC-C	H24BPR HOUSING, DIAGONAL LOCKING, BULKHEAD MOUNTED PASSIVATION+POWDER COATED, BLACK H24BPR下壳, 对角锁定, 开孔安装, 钝化+黑色粉末喷涂	0.8
PART NUMBER 料号	DESCRIPTION 描述		DIM A 尺寸 A

THIS DRAWING IS A CONTROLLED DOCUMENT.

DWN	24AUG2016	DAVID WANG
CHK	24AUG2016	CHRIS WANG
APVD	24AUG2016	XIANG XU

TE Connectivity

H24BPR-AG-EMC-C

SIZE	CAGE CODE	DRAWING NO	RESTRICTED TO
A2	-	G-T193024XXXXX09	

CUSTOMER DRAWING SCALE 1:1 SHEET 1 OF 1 REV B

Printed on 8 Jun 2021 09:33 (China Standard Time) from TE236667