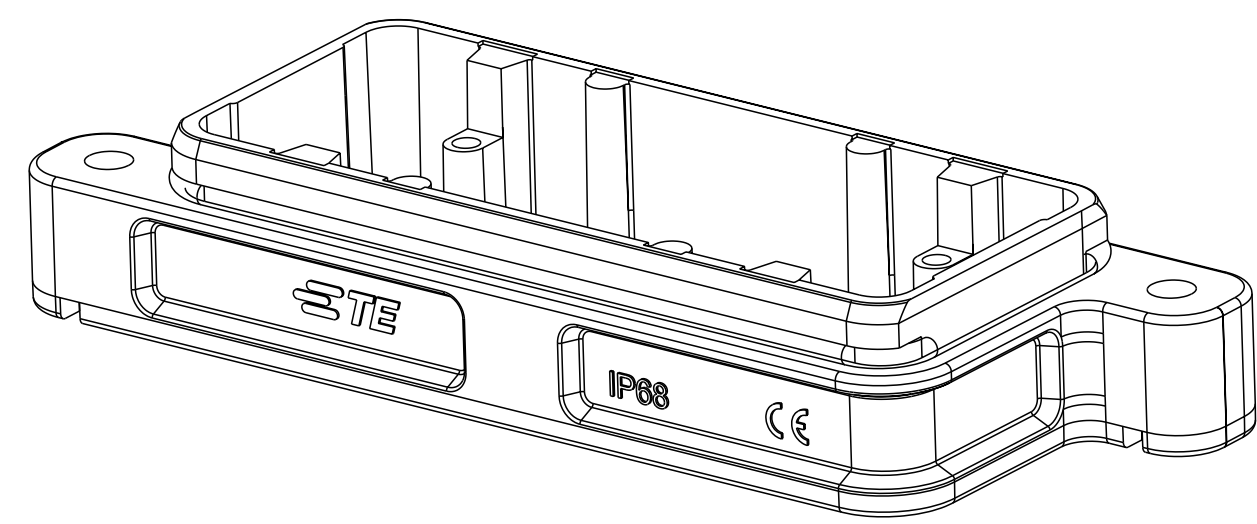
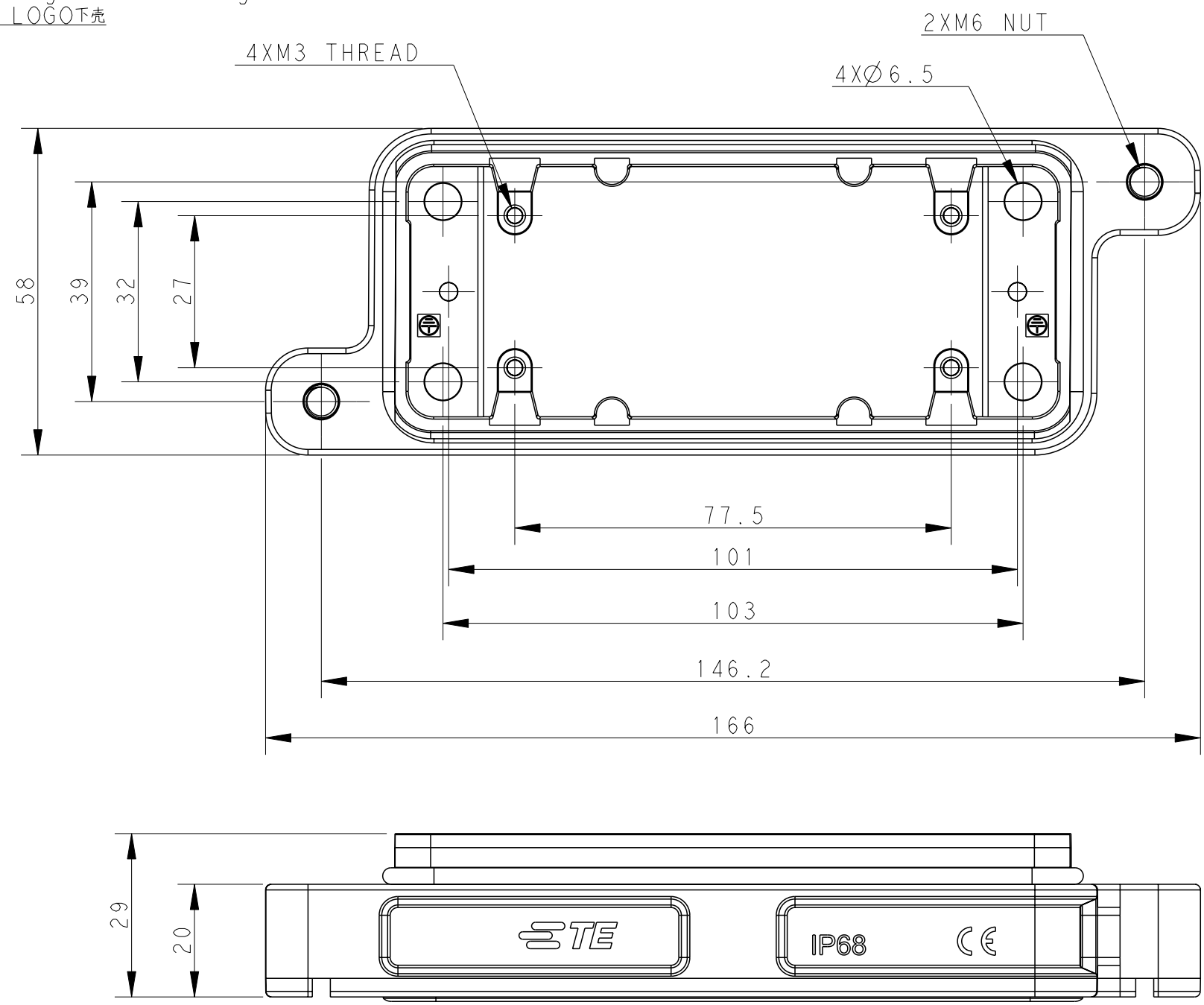


THIS DRAWING IS UNPUBLISHED. RELEASED FOR PUBLICATION 20
© COPYRIGHT 20 BY - ALL RIGHTS RESERVED.

TYPE 1

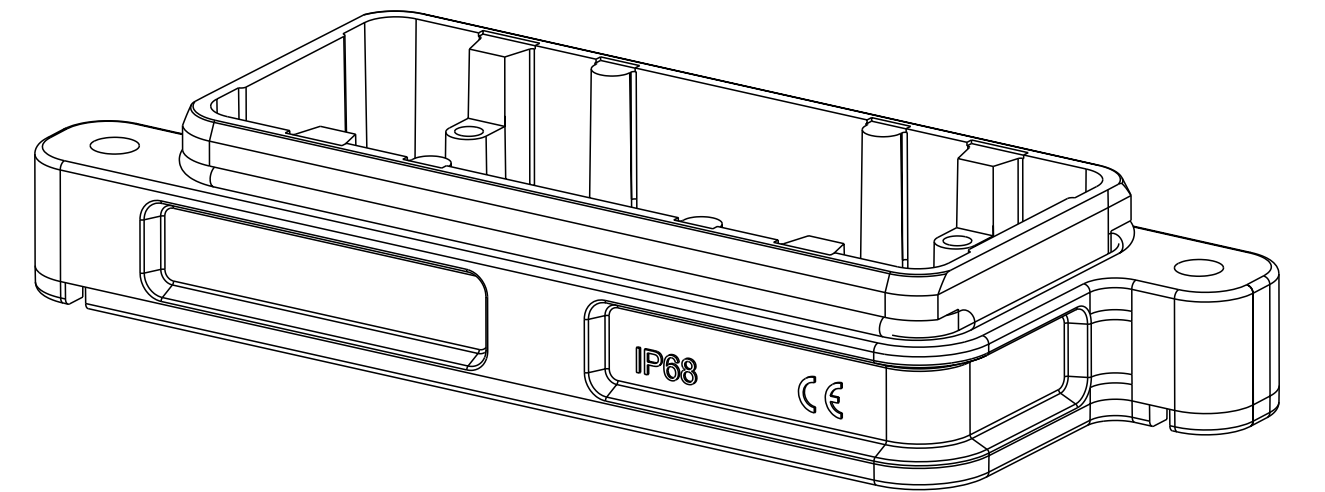
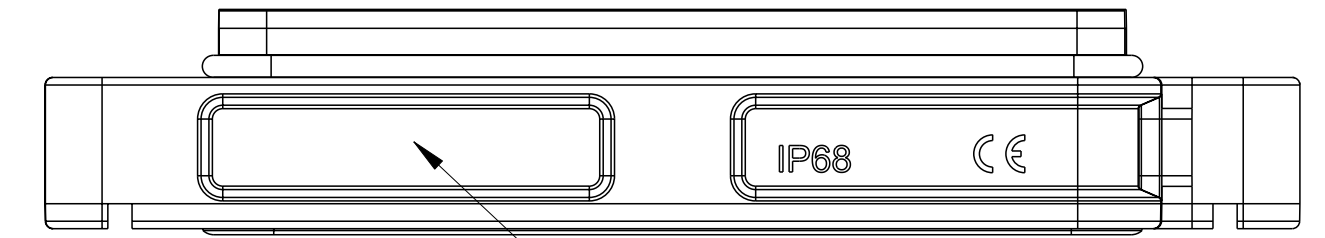
类型1
Housing with TE Logo
带TE LOGO外壳



TYPE 2

类型2
Housing without Logo
不带LOGO外壳

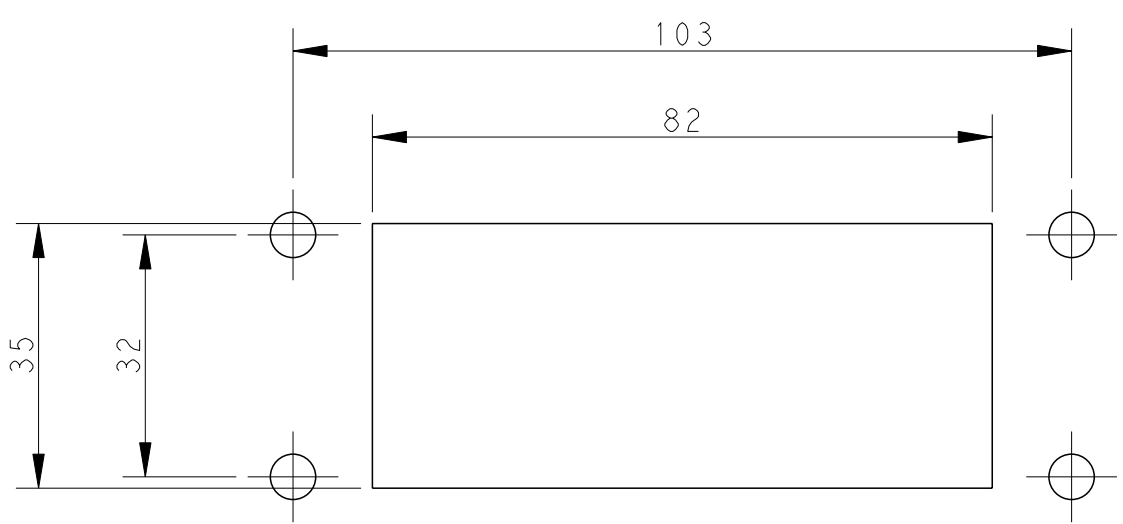
REVISIONS					
P	LTR	DESCRIPTION	DATE	DWN	APVD
A		INITIAL RELEASE	13JUN2015	GY	CW
A1		ECR-18-011763	01AUG2018	CD	CW
B		ECR-20-012892	12MAY2021	BS	CW



All dimension is same as TYPE 1, except those defined in this TYPE
除了在本类型中定义的尺寸外, 其它尺寸同类型1

NOTES:
1. TECHNICAL CHARACTERISTICS:
HOUSING MATERIAL: DIE CAST ALUMINIUM ALLOY
SURFACE TREATMENT: SEE TABLE
DEGREE OF PROTECTION: IP68 (MATED)

注释
1. 技术参数:
壳体材料: 铝合金
表面处理: 见表格
防护等级: IP68 (配合)



Panel Cut Out

PART NUMBER	SURFACE TREATMENT	DESCRIPTION	TYPE
成品料号	表面处理	描述	类型
T1930162000-001	POWDER COATED, DEEP GREY 表面喷涂, 深灰色	H16BPR HOUSING, DIAGONAL LOCKING, BULKHEAD MOUNTED, POWDER COATED, DEEP GREY, NO LOGO	TYPE 2
T1930160000-100	POWDER COATED, BLACK 表面喷涂, 黑色	H16BPR HOUSING, DIAGONAL LOCKING, BULKHEAD MOUNTED, POWDER COATED, BLACK, NO LOGO	类型2
T1930162000-000	POWDER COATED, GREY 表面喷涂, 灰色	H16BPR HOUSING, DIAGONAL LOCKING, BULKHEAD MOUNTED, POWDER COATED, GREY	TYPE 1
T1930161000-000	POWDER COATED, SILVER WHITE 表面喷涂, 银白色	H16BPR HOUSING, DIAGONAL LOCKING, BULKHEAD MOUNTED, POWDER COATED, SILVER WHITE	
T1930160000-000	POWDER COATED, BLACK 表面喷涂, 黑色	H16BPR HOUSING, DIAGONAL LOCKING, BULKHEAD MOUNTED, POWDER COATED, BLACK	
		H16BPR下壳, 对角锁定, 开孔安装, 深灰色粉末喷涂, 无LOGO	
		H16BPR下壳, 对角锁定, 开孔安装, 黑色粉末喷涂, 无LOGO	
		H16BPR下壳, 对角锁定, 开孔安装, 灰色粉末喷涂	
		H16BPR下壳, 对角锁定, 开孔安装, 银白色粉末喷涂	
		H16BPR下壳, 对角锁定, 开孔安装, 黑色粉末喷涂	

THIS DRAWING IS A CONTROLLED DOCUMENT.

DIMENSIONS:	TOLERANCES UNLESS OTHERWISE SPECIFIED:	DWN	13JUN2015
mm	0 PLC ±	CHK	Gino Yao
	1 PLC ±	CHK	13JUN2015
	2 PLC ±	CHK	Chris Wang
	3 PLC ±	APVD	13JUN2015
	4 PLC ±	APVD	Xiang xu
	ANGLES ±	PRODUCT SPEC	108-137014
	FINISH	APPLICATION SPEC	114-137014
MATERIAL		WEIGHT	

Customer Drawing

SCALE 1:1 SHEET 1 OF 1 REV B

TE Connectivity

H16BPR-AG

NAME H16BPR-AG

SIZE A2 CAGE CODE - DRAWING NO. C-T193016XXXXX00 RESTRICTED TO -

Printed on 13 May 2021 09:03 (China Standard Time) from IE236667