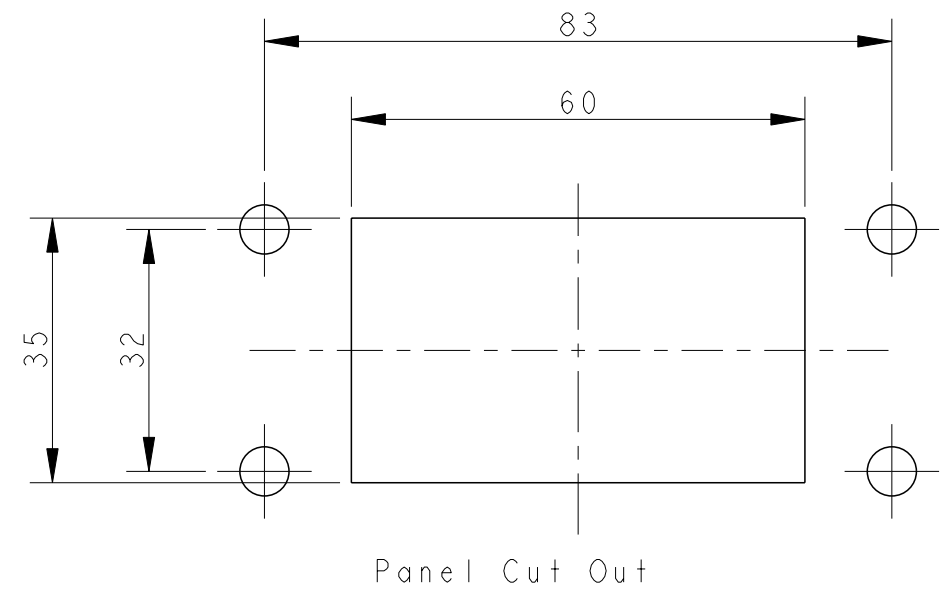
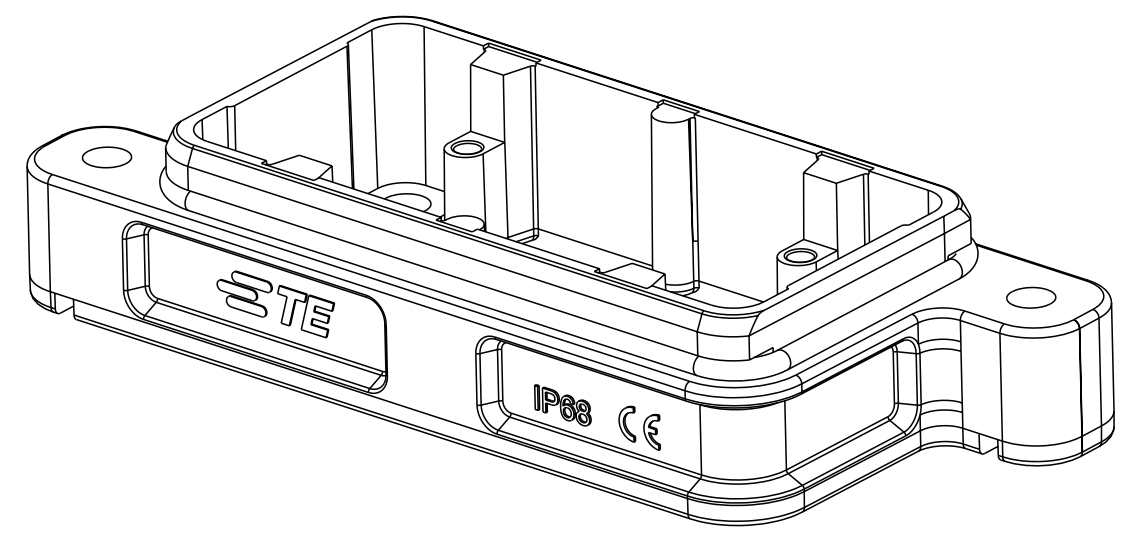
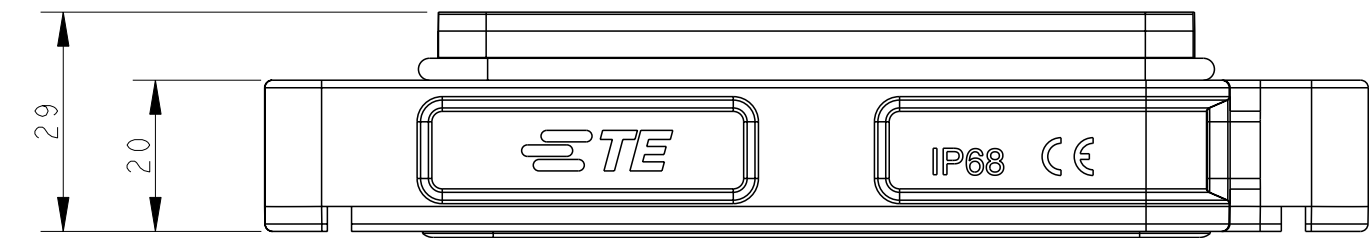
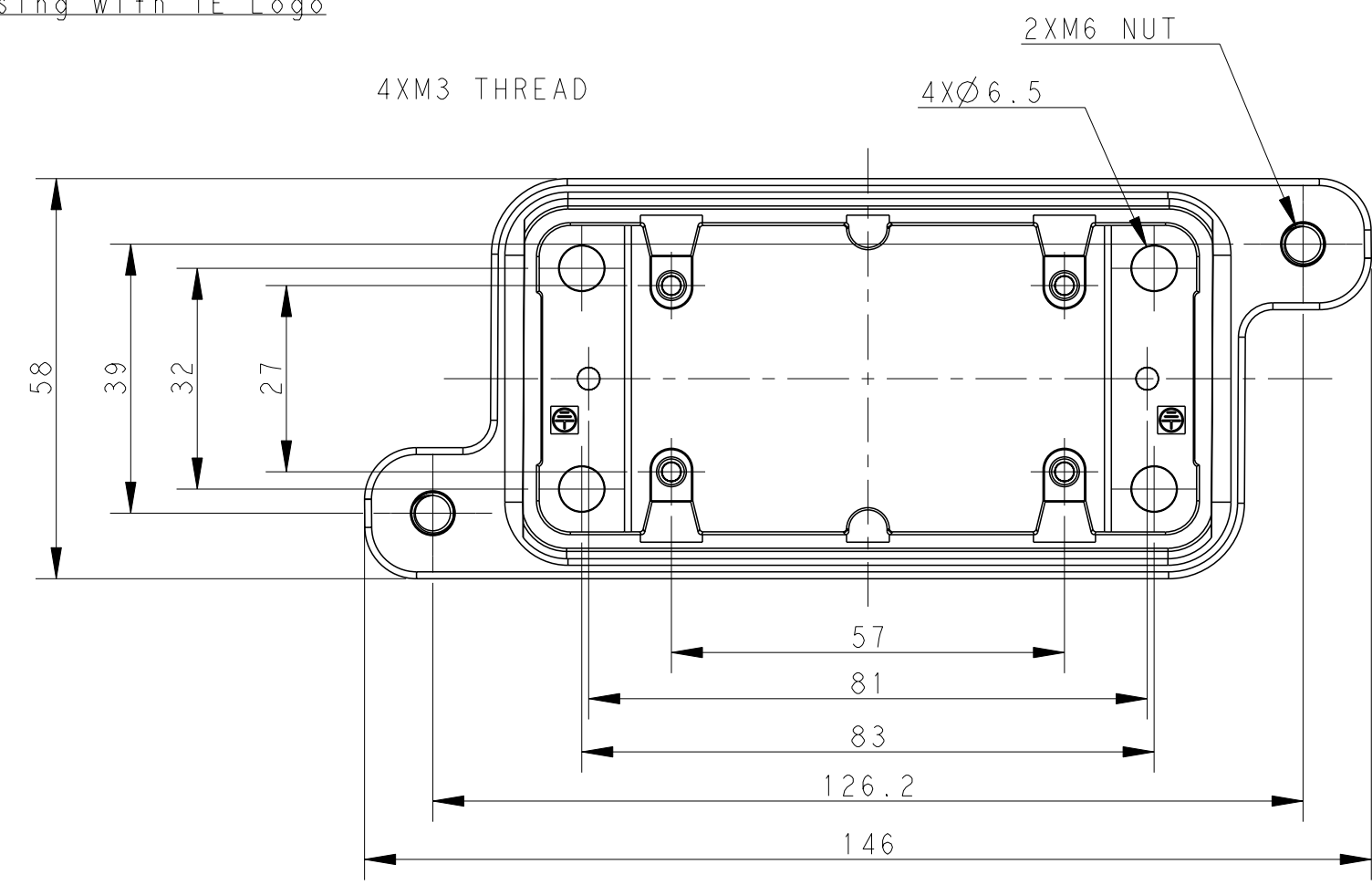


THIS DRAWING IS UNPUBLISHED. RELEASED FOR PUBLICATION 20
© COPYRIGHT 20 BY - ALL RIGHTS RESERVED.

TYPE 1

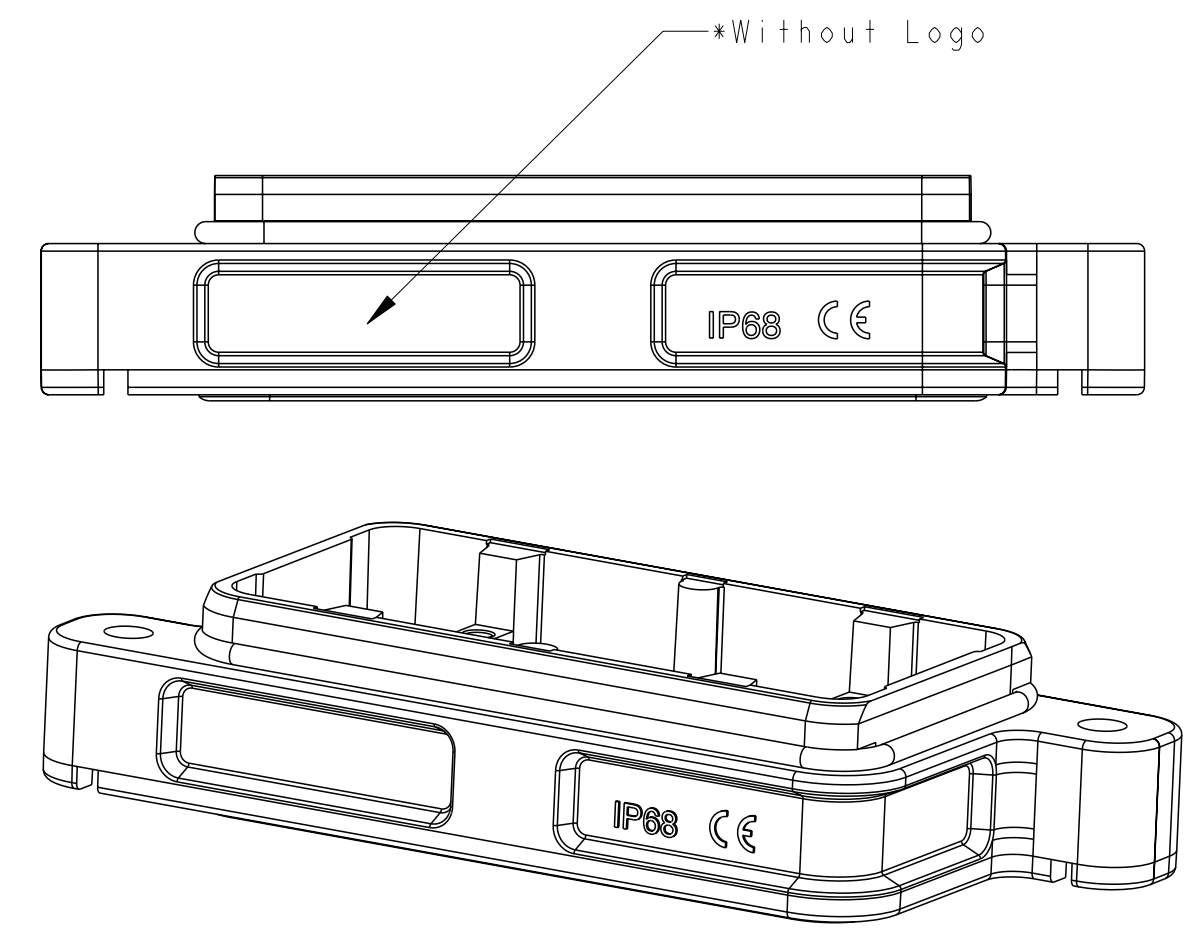
Housing with TE Logo



TYPE 2

Housing without Logo

REVISIONS				
P	LTR	DESCRIPTION	DATE	APVD
A		INITIAL RELEASE	10JUN2015	GY CW
B		ECR-20-012069	08MAY2021	BS CW



All dimension is same as TYPE 1, except those defined in this TYPE

NOTES:
1. TECHNICAL CHARACTERISTICS:
HOUSING MATERIAL: DIE CAST ALUMINIUM ALLOY
SURFACE TREATMENT: SEE TABLE
DEGREE OF PROTECTION: IP68 (MATED)

注释:
1. 技术参数:
壳体材料: 铝合金
表面处理: 见表格
防护等级: IP68 (配合)

T1930100000-100	POWDER COATED BLACK	H10BPR-AG	TYPE 2
T1930102000-000	POWDER COATED GRAY	H10BPR-AG	TYPE 1
T1930101000-000	POWDER COATED SILVER WHITE	H10BPR-AG	
T1930100000-000	POWDER COATED BLACK	H10BPR-AG	
PART NUMBER	SURFACE TREATMEN	DESCRIPTION	TYPE

THIS DRAWING IS A CONTROLLED DOCUMENT.

DIMENSIONS: mm	TOLERANCES UNLESS OTHERWISE SPECIFIED: 0 PLC ± 1 PLC ± 2 PLC ± 3 PLC ± 4 PLC ± ANGLES ± FINISH	DWN Gino Yao 10JUN2015	TE Connectivity H10BPR-AG
		CHK Chris Wang 10JUN2015	
		APVD Xiang Xu 10JUN2015	NAME
		PRODUCT SPEC 108-137014	SIZE
		APPLICATION SPEC 114-137014	CAGE CODE
MATERIAL		WEIGHT	DRAWING NO
		Customer Drawing	RESTRICTED TO
		SCALE 1:1	SHEET 1 OF 1
			REV B

Printed on 10 May 2021 14:03 (China Standard Time) from IE236667