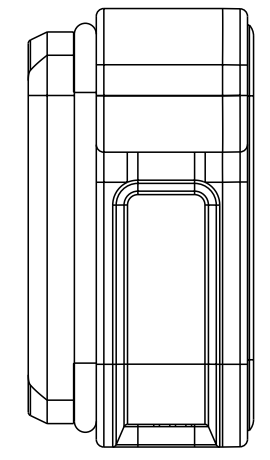
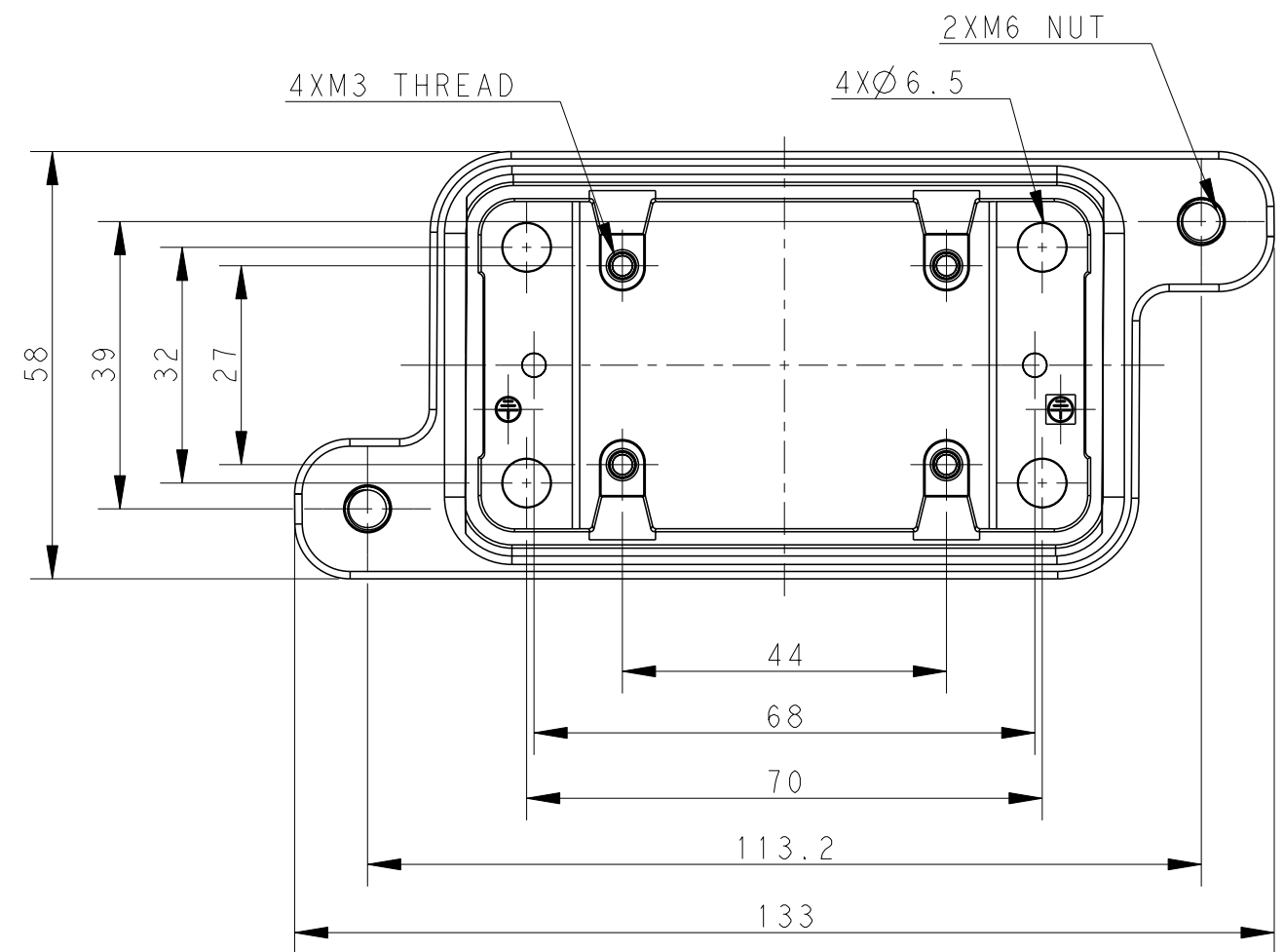


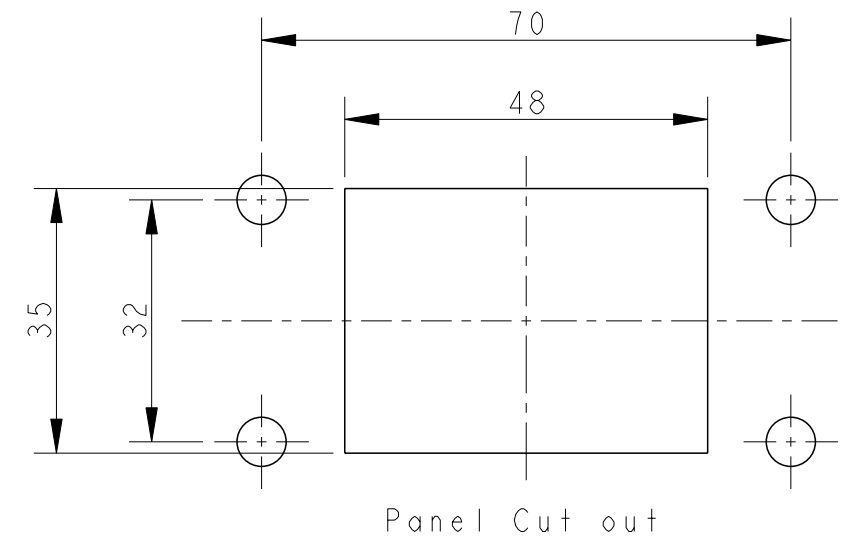
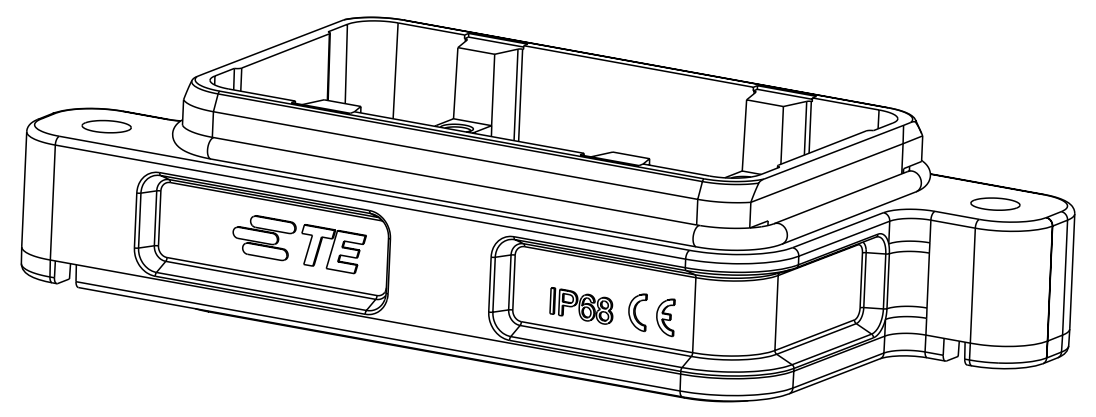
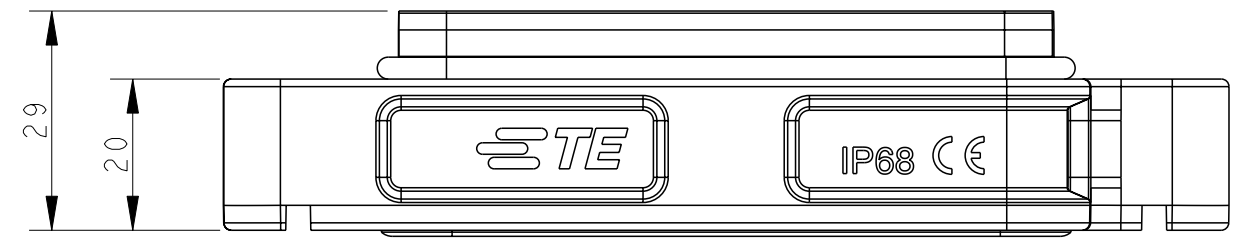
THIS DRAWING IS UNPUBLISHED. RELEASED FOR PUBLICATION 20
 © COPYRIGHT 20 BY - ALL RIGHTS RESERVED.

REVISIONS					
P	LTR	DESCRIPTION	DATE	DWN	APVD
A		INITIAL RELEASE	22MAY2015	GY	CW
B		ECR-20-011774	30APR2021	BS	CW




NOTES:
 1. TECHNICAL CHARACTERISTICS:
 HOUSING MATERIAL: DIE CAST ALUMINIUM ALLOY
 SURFACE TREATMENT: SEE TABLE
 DEGREE OF PROTECTION: IP68 (MATED)

注释
 1. 技术参数:
 壳体材料: 铝合金
 表面处理: 见表格
 防护等级: IP68 (配合)



T1930062000-000	POWDER COATED GRAY	H6BPR-AG
T1930061000-000	POWDER COATED SILVER WHITE	H6BPR-AG
T1930060000-000	POWDER COATED BLACK	H6BPR-AG
PART NUMBER	SURFACE TREATMEN	DESCRIPTION

THIS DRAWING IS A CONTROLLED DOCUMENT.		DWN Gino.Yao 22MAY2015	 TE Connectivity NAME H6BPR-AG				
DIMENSIONS: mm		CHK Chris.Wang 22MAY2015					
TOLERANCES UNLESS OTHERWISE SPECIFIED:		APVD Xiang.Xu 22MAY2015					
0 PLC ±- 1 PLC ±- 2 PLC ±- 3 PLC ±- 4 PLC ±- ANGLES ±-		PRODUCT SPEC 108-137014					
MATERIAL	FINISH	APPLICATION SPEC 114-137014	WEIGHT	SIZE A3	CAGE CODE -	DRAWING NO C-T193006XXXXX00	RESTRICTED TO -
-	-	Customer Drawing	-	SCALE 1:1	SHEET 1 OF 1	REV B	

printed on 30 Apr 2021 15:25 (China Standard Time) from TE236667