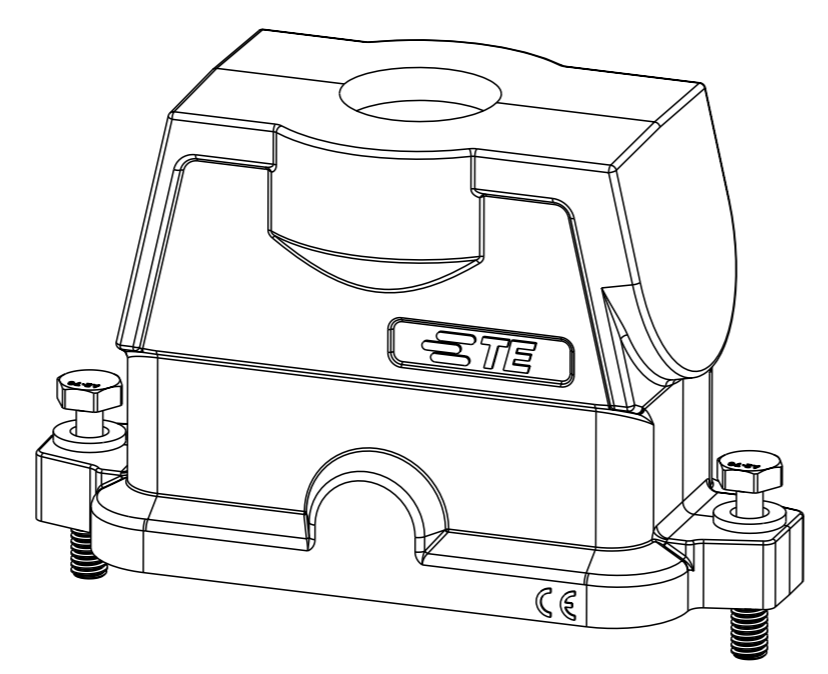
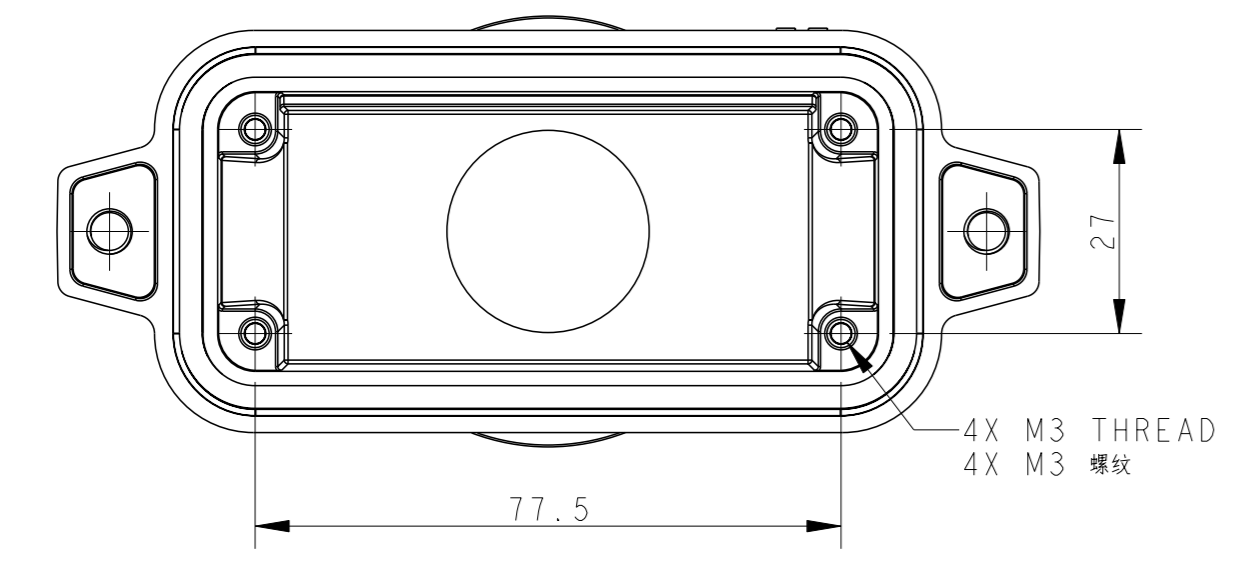
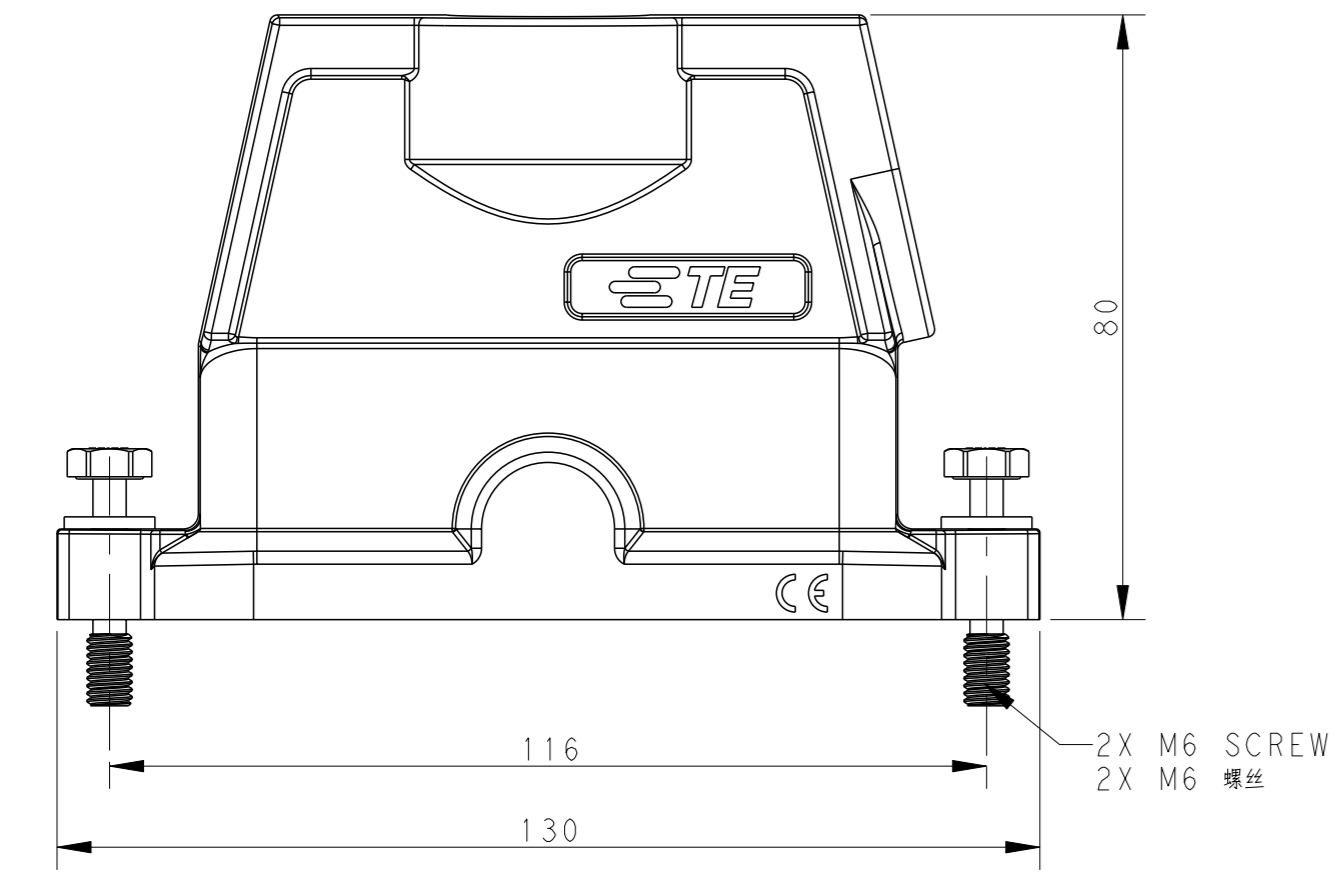
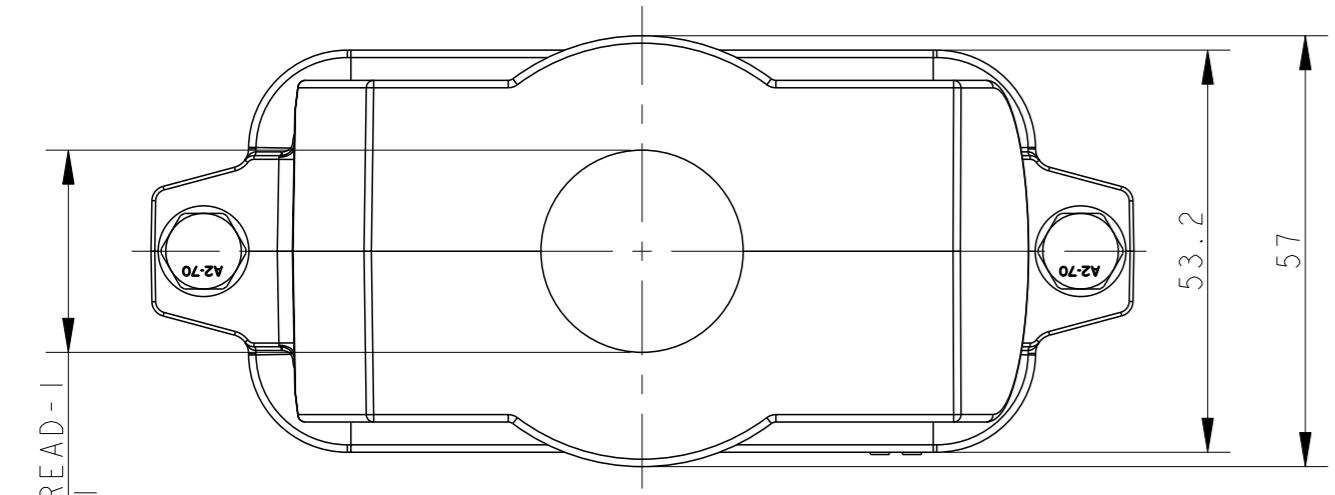


TYPE 1 / 类型 1

Single PG/M thread
一个进线孔

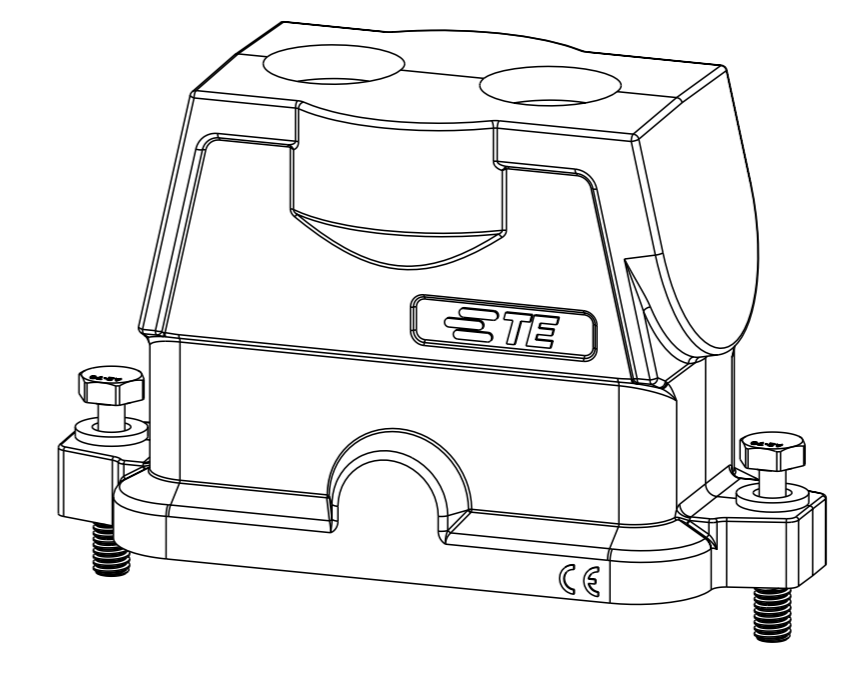
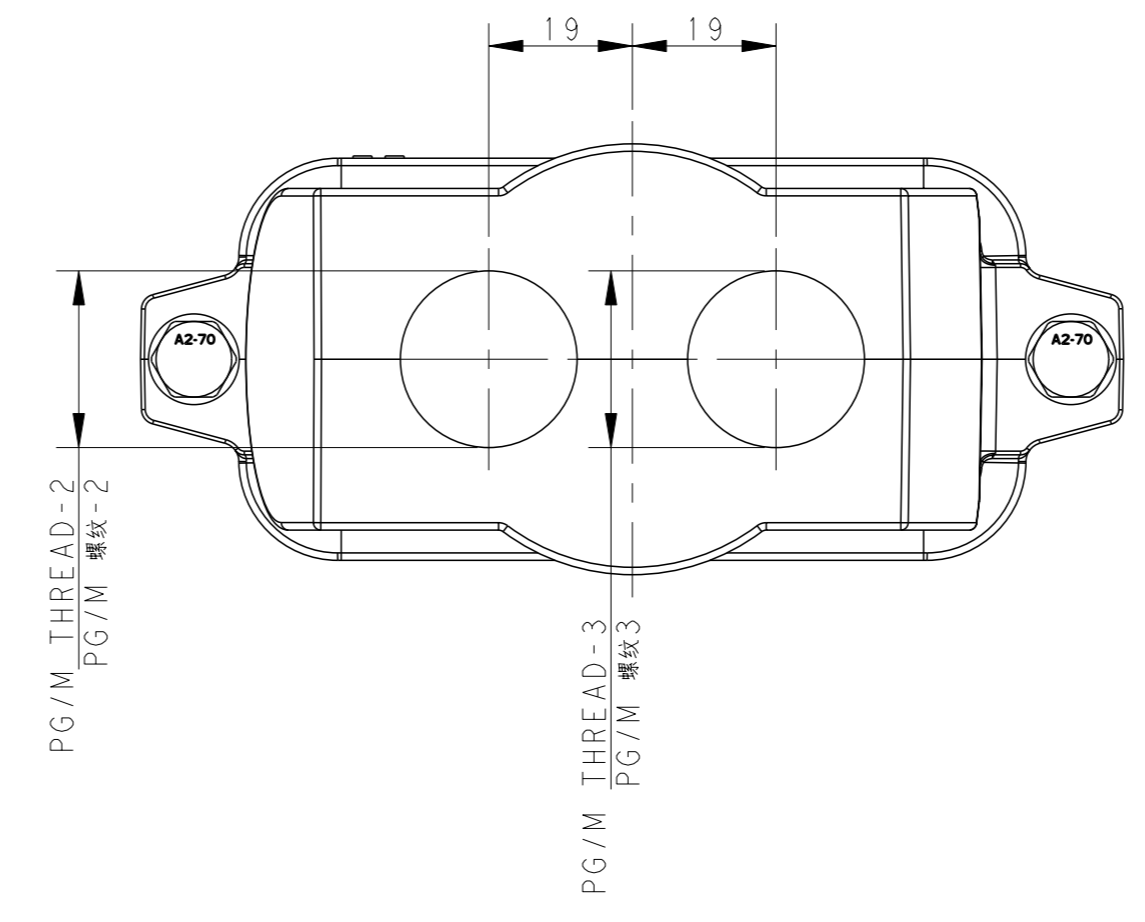


NOTES:
1. TECHNICAL CHARACTERISTICS:
HOOD MATERIAL: DIE CAST ALUMINIUM ALLOY
SURFACE TREATMENT: SEE TABLE
DEGREE OF PROTECTION: IP68 (MATED)

注释
1. 技术参数:
壳体材料: 铝合金
表面处理: 见表格
防护等级: IP68 (配合)

TYPE 2 / 类型 2

Two PG/M threads
两个进线孔

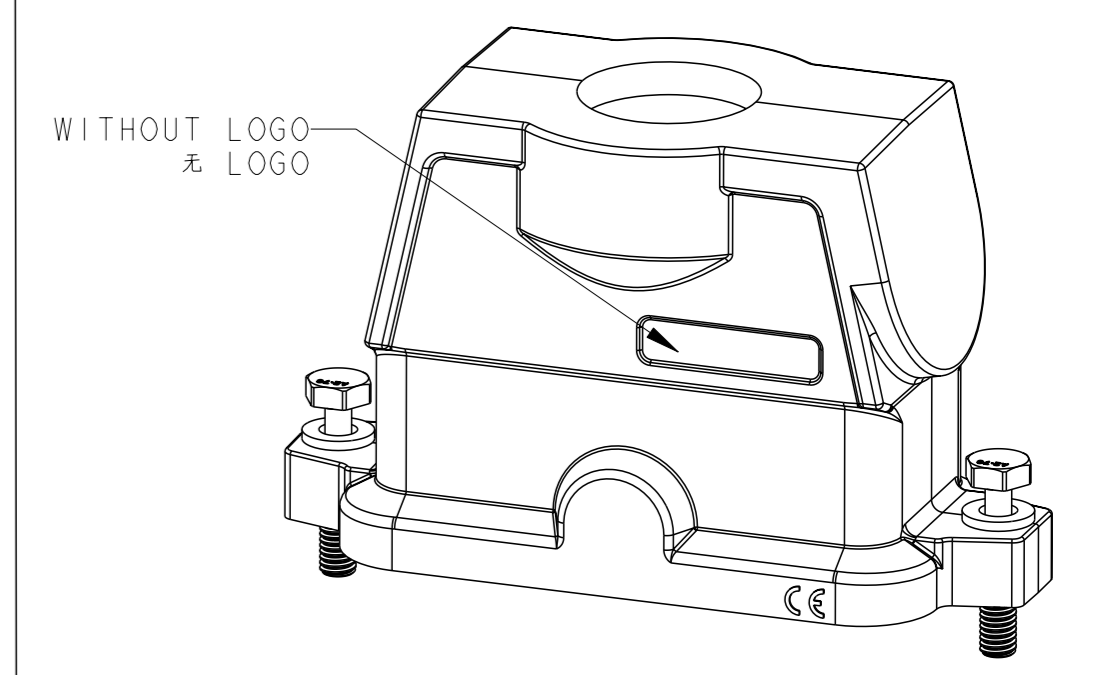


All dimension is same as TYPE 1, except those defined in this TYPE
除了已定义的尺寸外, 其他尺寸参照类型 1

REVISIONS				
#	CL#	DESCRIPTION	DATE	OWN APVD
B	ECR-18-003733		31JUL2018	BS CW
B1	ECR-18-012802		11AUG2018	WOR CW
B2	ECR-18-009564		12SEP2018	CD CW
C	ECR-20-012892		19MAY2021	BS CW

TYPE 3 / 类型 3

Single PG/M thread
一个进线孔



All dimension is same as TYPE 1, except those defined in this TYPE
除了已定义的尺寸外, 其他尺寸参照类型 1

PART NUMBER	DESCRIPTION	PG/M THREAD-3	PG/M THREAD-2	PG/M THREAD-1	TYPE
TI922162140-001	HI6BPR HOOD, CENTER LOCKING, TOP ENTRY M40, POWDER COATED, DEEP GREY, NO LOGO HI6BPR上壳, 中部锁定, 顶出M40, 深灰色粉末喷涂, 无LOGO	-	-	M40	TYPE 3 类型3
TI922162125-001	HI6BPR HOOD, CENTER LOCKING, TOP ENTRY M25, POWDER COATED, DEEP GREY, NO LOGO HI6BPR上壳, 中部锁定, 顶出M25, 深灰色粉末喷涂, 无LOGO	-	-	M25	
TI922162150-001	HI6BPR HOOD, CENTER LOCKING, TOP ENTRY M50, POWDER COATED, DEEP GREY, NO LOGO HI6BPR上壳, 中部锁定, 顶出M50, 深灰色粉末喷涂, 无LOGO	-	-	M50	
TI922162132-001	HI6BPR HOOD, CENTER LOCKING, TOP ENTRY M32, POWDER COATED, DEEP GREY, NO LOGO HI6BPR上壳, 中部锁定, 顶出M32, 深灰色粉末喷涂, 无LOGO	-	-	M32	TYPE 2 类型2
TI922160225-000	HI6BPR HOOD, CENTER LOCKING, TOP ENTRY 2M25, POWDER COATED, BLACK HI6BPR上壳, 中部锁定, 顶出2M25, 黑色粉末喷涂	M25	M25	-	
TI922161140-000	HI6BPR HOOD, CENTER LOCKING, TOP ENTRY M40, POWDER COATED, SILVER WHITE HI6BPR上壳, 中部锁定, 顶出M40, 银白色粉末喷涂	-	-	M40	
TI922161136-000	HI6BPR HOOD, CENTER LOCKING, TOP ENTRY PG36, POWDER COATED, SILVER WHITE HI6BPR上壳, 中部锁定, 顶出PG36, 银白色粉末喷涂	-	-	PG36	TYPE 1 类型1
TI922161132-000	HI6BPR HOOD, CENTER LOCKING, TOP ENTRY M32, POWDER COATED, SILVER WHITE HI6BPR上壳, 中部锁定, 顶出M32, 银白色粉末喷涂	-	-	M32	
TI922161129-000	HI6BPR HOOD, CENTER LOCKING, TOP ENTRY PG29, POWDER COATED, SILVER WHITE HI6BPR上壳, 中部锁定, 顶出PG29, 银白色粉末喷涂	-	-	PG29	
TI922161125-000	HI6BPR HOOD, CENTER LOCKING, TOP ENTRY M25, POWDER COATED, SILVER WHITE HI6BPR上壳, 中部锁定, 顶出M25, 银白色粉末喷涂	-	-	M25	TYPE 1 类型1
TI922161121-000	HI6BPR HOOD, CENTER LOCKING, TOP ENTRY PG21, POWDER COATED, SILVER WHITE HI6BPR上壳, 中部锁定, 顶出PG21, 银白色粉末喷涂	-	-	PG21	
TI922160140-000	HI6BPR HOOD, CENTER LOCKING, TOP ENTRY M40, POWDER COATED, BLACK HI6BPR上壳, 中部锁定, 顶出M40, 黑色粉末喷涂	-	-	M40	
TI922160136-000	HI6BPR HOOD, CENTER LOCKING, TOP ENTRY PG36, POWDER COATED, BLACK HI6BPR上壳, 中部锁定, 顶出PG36, 黑色粉末喷涂	-	-	PG36	TYPE 1 类型1
TI922160132-000	HI6BPR HOOD, CENTER LOCKING, TOP ENTRY M32, POWDER COATED, BLACK HI6BPR上壳, 中部锁定, 顶出M32, 黑色粉末喷涂	-	-	M32	
TI922160129-000	HI6BPR HOOD, CENTER LOCKING, TOP ENTRY PG29, POWDER COATED, BLACK HI6BPR上壳, 中部锁定, 顶出PG29, 黑色粉末喷涂	-	-	PG29	
TI922160125-000	HI6BPR HOOD, CENTER LOCKING, TOP ENTRY M25, POWDER COATED, BLACK HI6BPR上壳, 中部锁定, 顶出M25, 黑色粉末喷涂	-	-	M25	TYPE 1 类型1
TI922160121-000	HI6BPR HOOD, CENTER LOCKING, TOP ENTRY PG21, POWDER COATED, BLACK HI6BPR上壳, 中部锁定, 顶出PG21, 黑色粉末喷涂	-	-	PG21	

THIS DRAWING IS A CONTROLLED DOCUMENT.

OWN: G. Luo, Yao 13JUN2015
CHK: Chr. Wang 13JUN2015
APVD: Xiang Xu 13JUN2015

NAME: HI6BPR-TGHC-PG/M

PRODUCT SPEC: 108-137014
APPLICATION SPEC: 114-137014

SIZE: A1
CAGE CODE: -
DRAWING NO: C-T192216XXXX00
RESTRICTED TO: -

SCALE: 1:1
SHEET: 1 OF 1
REV: C

CUSTOMER DRAWING

Printed on 24 May 2021 11:17 (China Standard Time) from 1E238667