

REVISIONS

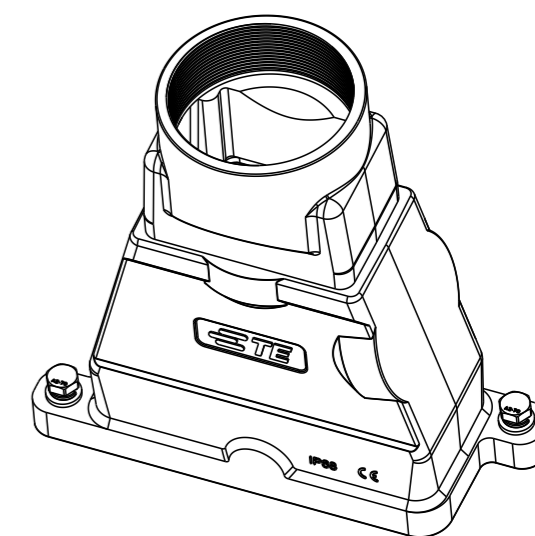
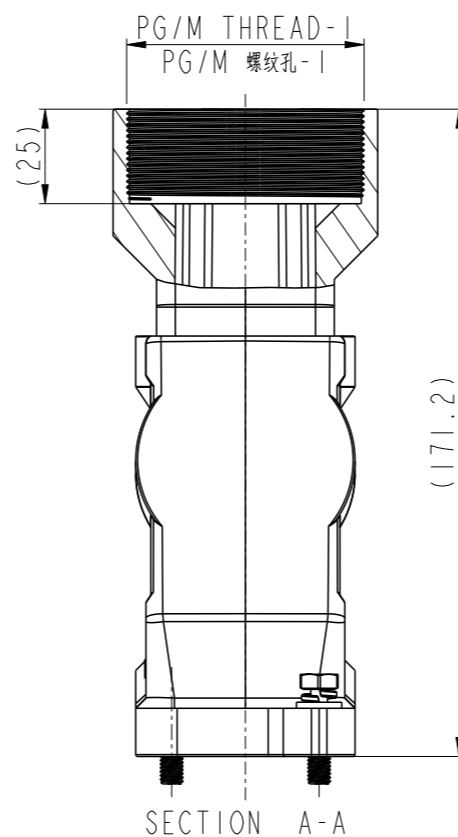
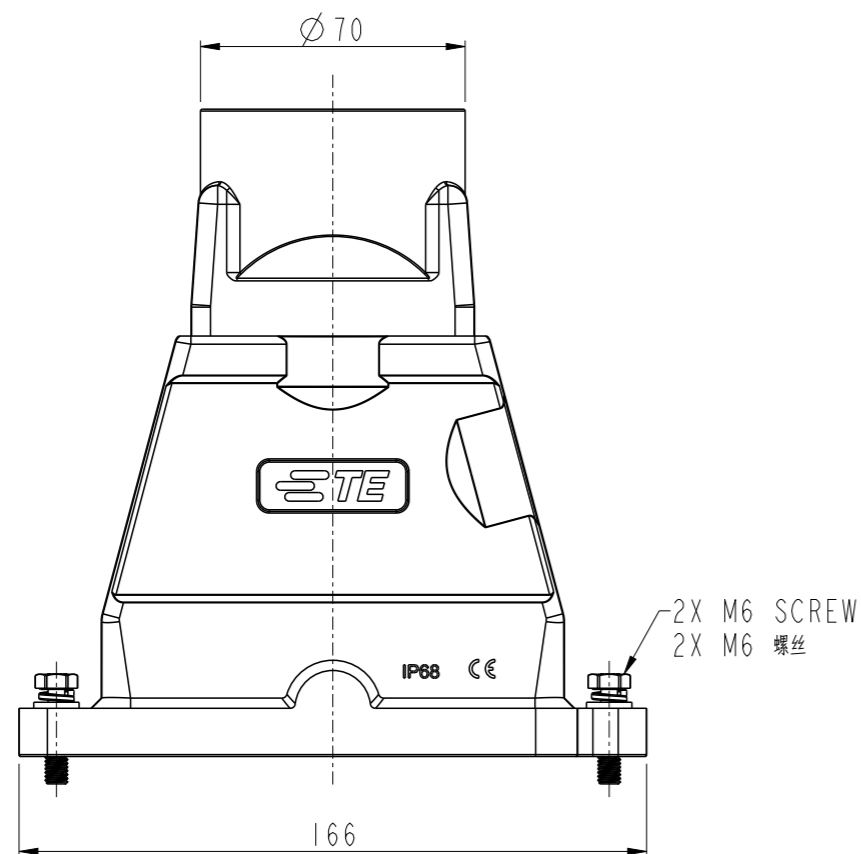
P	LTR	DESCRIPTION	DATE	DWN	APVD
	A	INITIAL	13OCT2016	QY	CW
	B	ECR-20-012892	12MAY2021	BS	CW
	B1	ECR-22-129466	15FEB2022	BS	CW

NOTES:

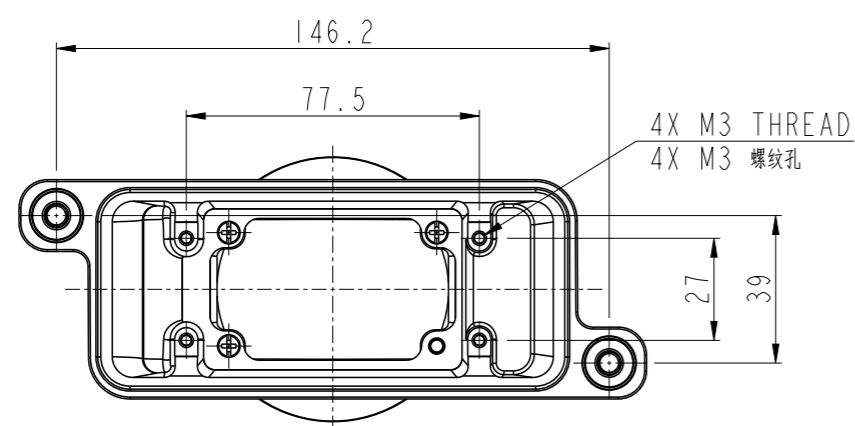
1. TECHNICAL CHARACTERISTICS:  
 HOOD MATERIAL: DIE CAST ALUMINIUM ALLOY  
 SURFACE: POWDER COATED  
 DEGREE OF PROTECTION: IP68 (MATED)

注释:

1. 技术参数:  
 上壳材料: 铝合金  
 表面处理: 粉末喷涂  
 防护等级: IP68(配合)



SCALE 2:5



T1920160150-001	HI6BPR-TGXH-M50	HI6BPR HEIGHTEN HOOD, DIAGONAL LOCKING, TOP ENTRY M50, POWDER COATED, BLACK HI6BPR加高上壳, 对角锁定, 顶出M50, 黑色粉末喷涂	M50X1.5
T1920160163-001	HI6BPR-TGXH-M63	HI6BPR HEIGHTEN HOOD, DIAGONAL LOCKING, TOP ENTRY M63, POWDER COATED, BLACK HI6BPR加高上壳, 对角锁定, 顶出M63, 黑色粉末喷涂	M63X1.5
PART NUMBER 料号	PART DESCRIPTION 描述		PG/M THREAD-1 PG/M 螺纹孔-1

THIS DRAWING IS A CONTROLLED DOCUMENT.		DWN 13OCT2016 QIANG YUAN	<b>STE</b> TE Connectivity	
DIMENSIONS: mm		CHK 13OCT2016 KYLE ZENG		
TOLERANCES UNLESS OTHERWISE SPECIFIED:		APVD 13OCT2016 CHRIS WANG	NAME HI6BPR-TGXH-PG/M	
0 PLC ±-		PRODUCT SPEC 108-137014	SIZE	
1 PLC ±-		APPLICATION SPEC 114-137014	CAGE CODE	
2 PLC ±-		WEIGHT	DRAWING NO	
3 PLC ±-		CUSTOMER DRAWING	RESTRICTED TO	
4 PLC ±-			SCALE 1:2 SHEET 1 OF 1 REV B1	
ANGLES ±-		FINISH		
MATERIAL		A3 - C-T19201601XX001		