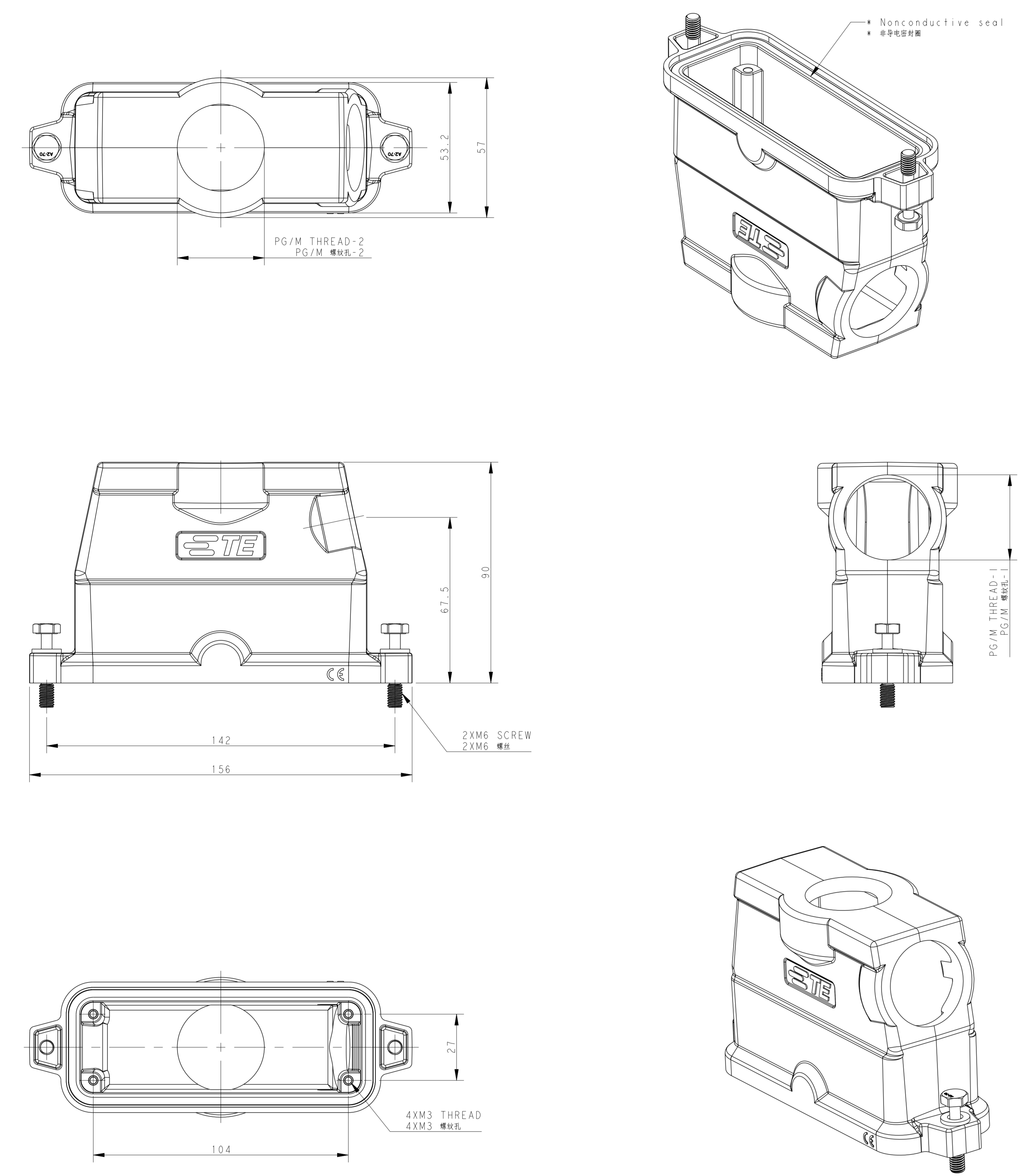


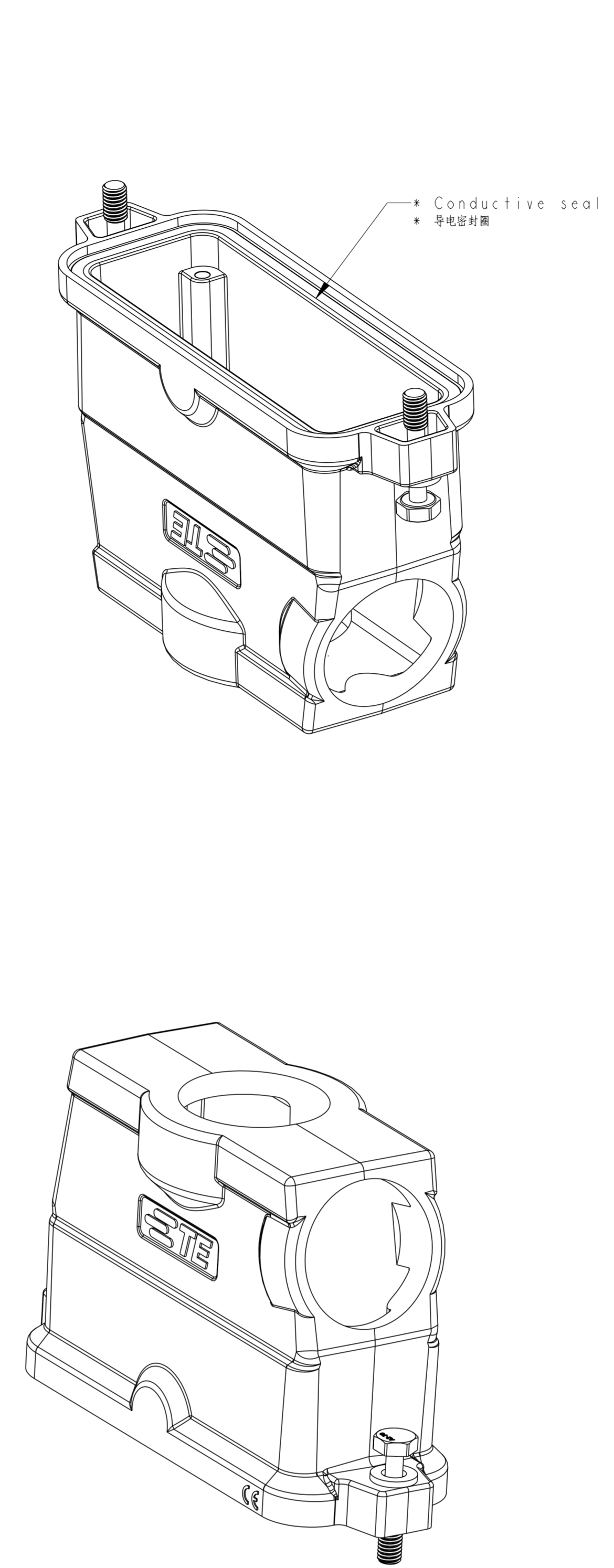
TYPE 1 类型1

With nonconductive seal/带非导电密封胶



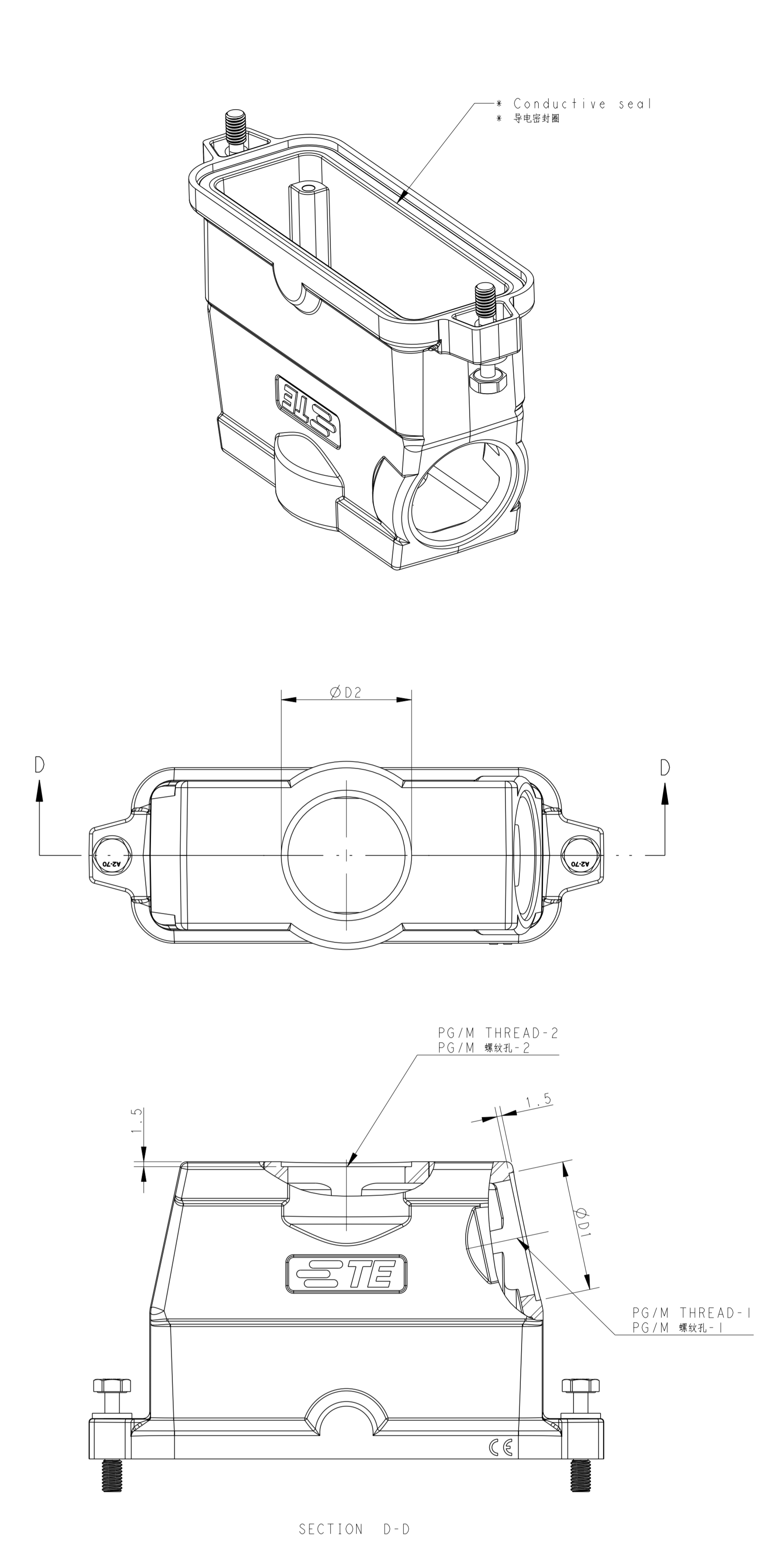
With conductive seal/带导电密封胶

TYPE 2 类型2



With conductive seal/带导电密封胶

TYPE 3 类型3



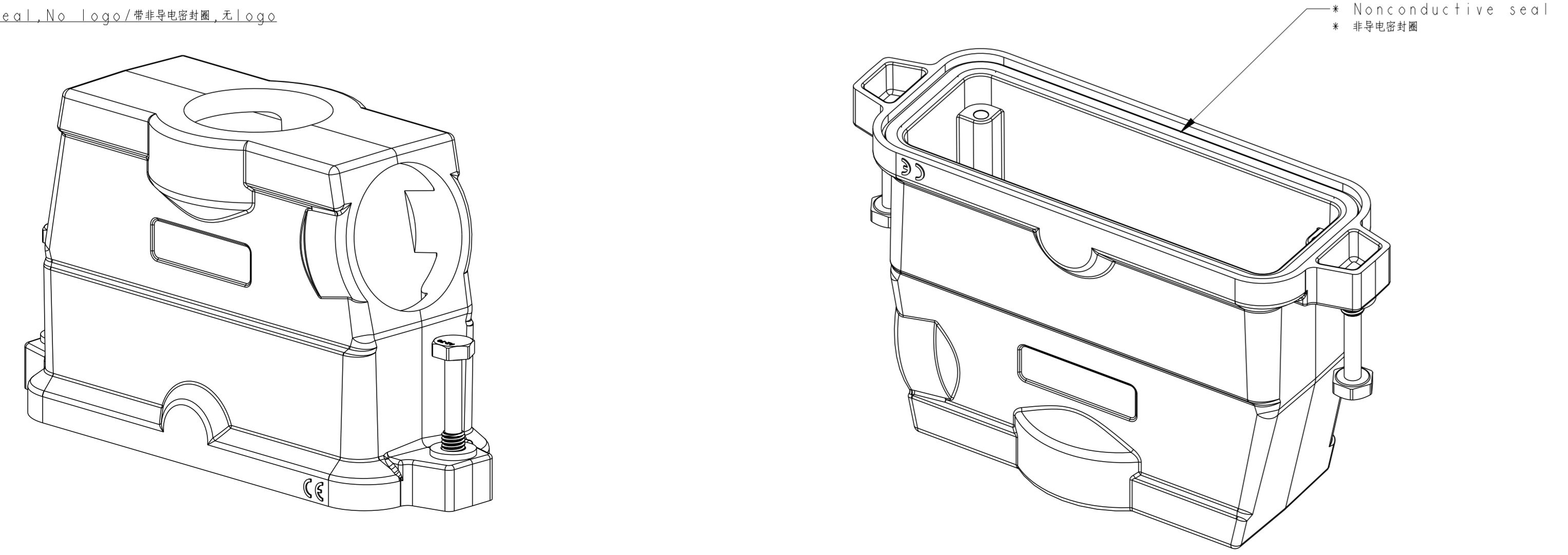
REVISIONS				
REV	BY	DESCRIPTION	DATE	APP'D
B3	ECR-18-009564		20SEP2018	CD CW
B4	ECR-18-017123		25DEC2018	KW CW
B5	ECR-19-007133		10MAY2019	BS CW
C	ECR-20-014403		20MAY2021	BS CW

All dimension is same as TYPE 1, except those defined in this TYPE
除了在本类型中定义的尺寸外, 其他尺寸均类型1

All dimension is same as TYPE 1, except those defined in this TYPE
除了在本类型中定义的尺寸外, 其他尺寸均类型1

TYPE 4 类型4

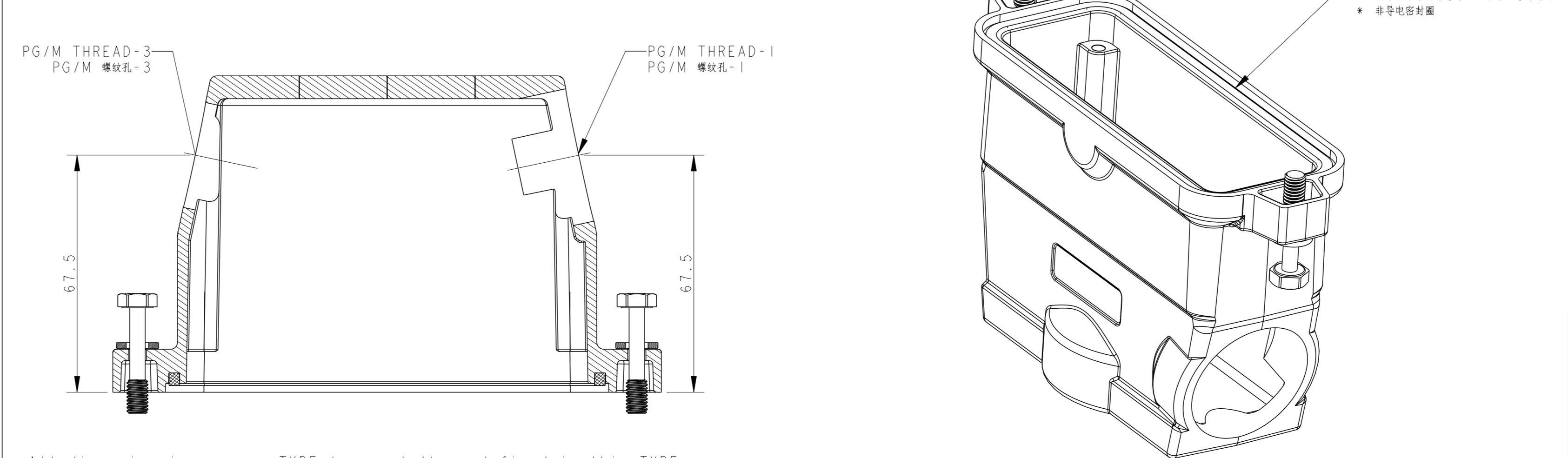
With nonconductive seal, No logo/带非导电密封胶, 无Logo



All dimension is same as TYPE 1, except those defined in this TYPE
除了在本类型中定义的尺寸外, 其他尺寸均类型1

TYPE 5 类型5

With nonconductive seal, Two side entry, No logo/带非导电密封胶, 两侧进, 无Logo



All dimension is same as TYPE 1, except those defined in this TYPE
除了在本类型中定义的尺寸外, 其他尺寸均类型1

THIS DRAWING IS A CONTROLLED DOCUMENT.		REV: 16 JUN 2015	DATE: 16 JUN 2015	 TE Connectivity
DRAWN BY: G.Luo_Yao		CHK: C.Li.Li_Wang	DATE: 16 JUN 2015	
DESIGNED BY: G.Luo_Yao		APP'D: X.Liang_Xu	DATE: 16 JUN 2015	NAME: H24BPR-TS/GHC-PG/M AND H24BPR-TG/SHC-PG/M PRODUCT EPIC: 108-137014 APPLICATION SPEC: 114-137014
MATERIAL: -		FINISH: -	WEIGHT: -	
CUSTOMER DRAWING		SCALE: 1:1	SHEET: 1 of 2	REV: C

REVISIONS			
REV	DATE	DESCRIPTION	APP'D
-	-	SEE SHEET 1	-

NOTES:
 1. TECHNICAL CHARACTERISTICS:
 HOOD MATERIAL: DIE CAST ALUMINIUM ALLOY
 SURFACE TREATMENT: SEE TABLE
 DEGREE OF PROTECTION: IP68 (MATED)

注释:
 1. 技术参数:
 壳体材料: 铝合金
 表面处理: 见表格
 防护等级: IP68 (配合)

PART NUMBER	SURFACE	DESCRIPTION	PG/M	THREAD-1	PG/M	THREAD-2	PG/M	THREAD-3	ØD2	ØD1	TYPE
T1912243240-001	表面喷粉, 深灰色	H24BPR-TSHC-M32/M40	M40	-	M32	-	-	-	-	-	TYPE 5 类型5
T1902243240-001	表面喷粉, 深灰色	H24BPR-TG/SHC-M32/M40	M40	M32	-	-	-	-	-	-	TYPE 5 类型5
T1902244025-001	表面喷粉, 深灰色	H24BPR-TG/SHC-M40/M25	M25	M40	-	-	-	-	-	-	TYPE 4 类型4
T1902242232-001	表面喷粉, 深灰色	H24BPR-TS/GHC-2M32	M32	M32	-	-	-	-	-	-	TYPE 4 类型4
T1902242240-001	表面喷粉, 深灰色	H24BPR-TS/GHC-2M40	M40	M40	-	-	-	-	-	-	TYPE 4 类型4
T1902241232-100	表面喷粉, 银白色	H24BPR-TS/GHC-2M32	M32	M32	-	-	34	34	-	-	TYPE 3 类型3
T1902240232-100	表面喷粉, 黑色	H24BPR-TS/GHC-2M32	M32	M32	-	-	34	34	-	-	TYPE 3 类型3
T1902241229-100	表面喷粉, 银白色	H24BPR-TS/GHC-2PG29	PG29	PG29	-	-	39.5	39.5	-	-	TYPE 3 类型3
T1902240229-100	表面喷粉, 黑色	H24BPR-TS/GHC-2PG29	PG29	PG29	-	-	39.5	39.5	-	-	TYPE 3 类型3
T1902240240-100	表面喷粉, 黑色	H24BPR-TS/GHC-2M40	M40	M40	-	-	-	-	-	-	TYPE 2 类型2
T1902242240-000	表面喷粉, 灰色	H24BPR-TS/GHC-2M40	M40	M40	-	-	-	-	-	-	TYPE 1 类型1
T1902240240-000	表面喷粉, 黑色	H24BPR-TS/GHC-2M40	M40	M40	-	-	-	-	-	-	TYPE 1 类型1
T1902244025-000	表面喷粉, 银白色	H24BPR-TG/SHC-M40/M25	M25	M40	-	-	-	-	-	-	TYPE 1 类型1
T1902244020-000	表面喷粉, 银白色	H24BPR-TG/SHC-M40/M20	M20	M40	-	-	-	-	-	-	TYPE 1 类型1
T1902243240-000	表面喷粉, 银白色	H24BPR-TG/SHC-M32/M40	M40	M32	-	-	-	-	-	-	TYPE 1 类型1
T1902242540-000	表面喷粉, 银白色	H24BPR-TG/SHC-M25/M40	M40	M25	-	-	-	-	-	-	TYPE 1 类型1
T1902242040-000	表面喷粉, 银白色	H24BPR-TG/SHC-M20/M40	M40	M20	-	-	-	-	-	-	TYPE 1 类型1
T1902241240-000	表面喷粉, 银白色	H24BPR-TS/GHC-2M40	M40	M40	-	-	-	-	-	-	TYPE 1 类型1
T1902241232-000	表面喷粉, 银白色	H24BPR-TS/GHC-2M32	M32	M32	-	-	-	-	-	-	TYPE 1 类型1
T1902241229-000	表面喷粉, 银白色	H24BPR-TS/GHC-2PG29	PG29	PG29	-	-	-	-	-	-	TYPE 1 类型1

THIS DRAWING IS A CONTROLLED DOCUMENT. DATE: 16 JUN 2015. DRAWN BY: G.L.O. YAN. CHECKED BY: C.H.C.H. WONG. APPROVED BY: Y. LANG. YU. PRODUCT ENG. 108-137014. APPLICATION SPEC. 114-137014. WEIGHT: -. SIZE: A0. CASE CODE: -. DRAWING NO: T190224XXXX00. RESTRICTED TO: -. SCALE: 1:1. SHEET: 2 OF 2. REV: C.

STE TE Connectivity

H24BPR-TS/GHC-PG/M AND H24BPR-TG/SHC-PG/M