

THIS DRAWING IS UNPUBLISHED.

RELEASED FOR PUBLICATION

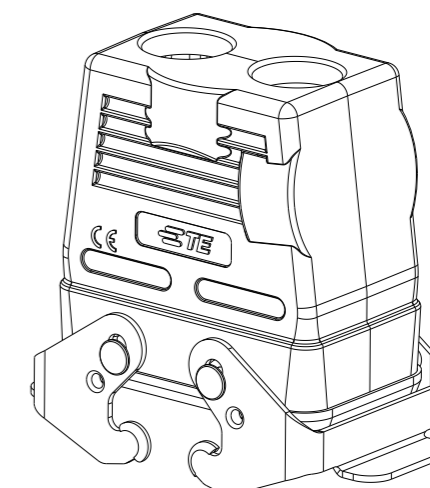
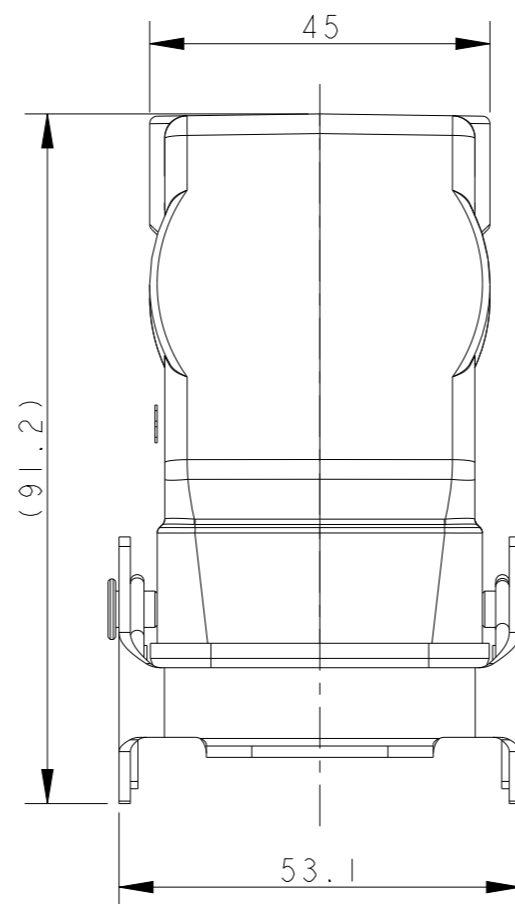
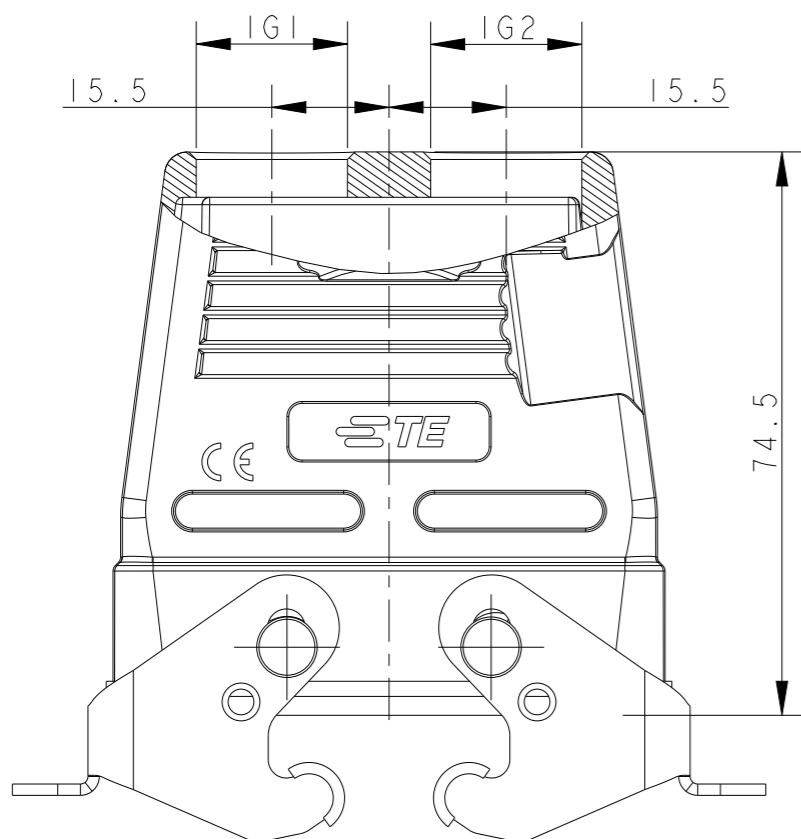
20

© COPYRIGHT 20 BY -

ALL RIGHTS RESERVED.

REVISIONS

P	LTR	DESCRIPTION	DATE	DWN	APVD
	A	INITIAL RELEASE	08JUL2015	DL	CW
	B	ECR-20-008181	29JUL2020	WQR	CW
	B1	ECR-21-103925	07JUN2021	WQR	CW



SCALE 3:5

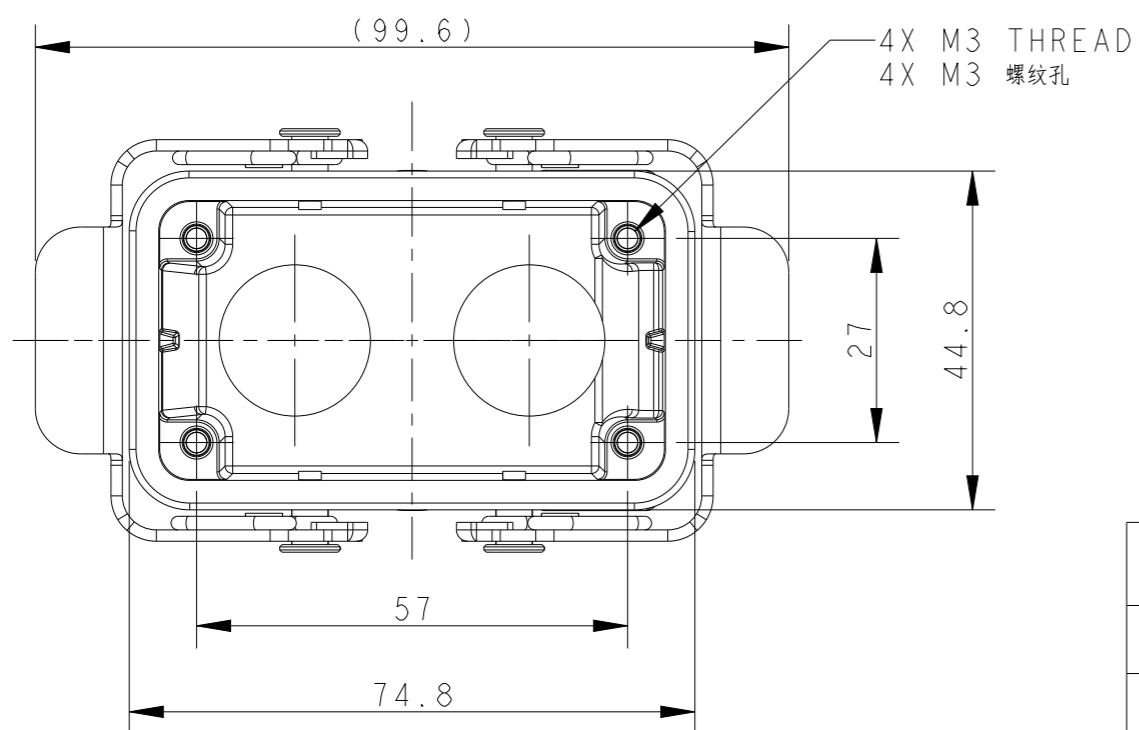
NOTES:


- 1. TECHNICAL CHARACTERISTICS:
 BODY MATERIAL: DIE CAST ALUMINIUM ALLOY
 SURFACE TREATMENT: POWDER-COATED, GRAY
 DEGREE OF PROTECTION: IP65 (MATED)

注释:

- 1. 技术参数:
 主体材料: 铝合金
 表面处理: 粉末喷涂, 灰色
 防护等级: IP65(配合)

T1750102216-000	H10B-TBFH-2PG16	PG16	PG16
T1750102220-000	H10B-TBFH-2M20	M20	M20
ASSEMBLY PART NUMBER	ASSEMBLY PART DESCRIPTION	IG1	IG2



THIS DRAWING IS A CONTROLLED DOCUMENT.		DWN	DAVID LI	08JUL2015	 TE Connectivity	
DIMENSIONS: mm		CHK	CHRIS WANG	08JUL2015		
TOLERANCES UNLESS OTHERWISE SPECIFIED:		APVD	XU XIANG	08JUL2015		
0 PLC ±- 1 PLC ±- 2 PLC ±- 3 PLC ±- 4 PLC ±- ANGLES ±- FINISH -		PRODUCT SPEC	108-137013			
MATERIAL TBD		APPLICATION SPEC	114-137013		NAME	H10B-TBFH-2PG/M
		WEIGHT	-		SIZE	A3
		CUSTOMER DRAWING			CAGE CODE	-
					DRAWING NO	©-T17501022XX000
					RESTRICTED TO	
					SCALE	1:1
					SHEET	1 OF 1
					REV	B1