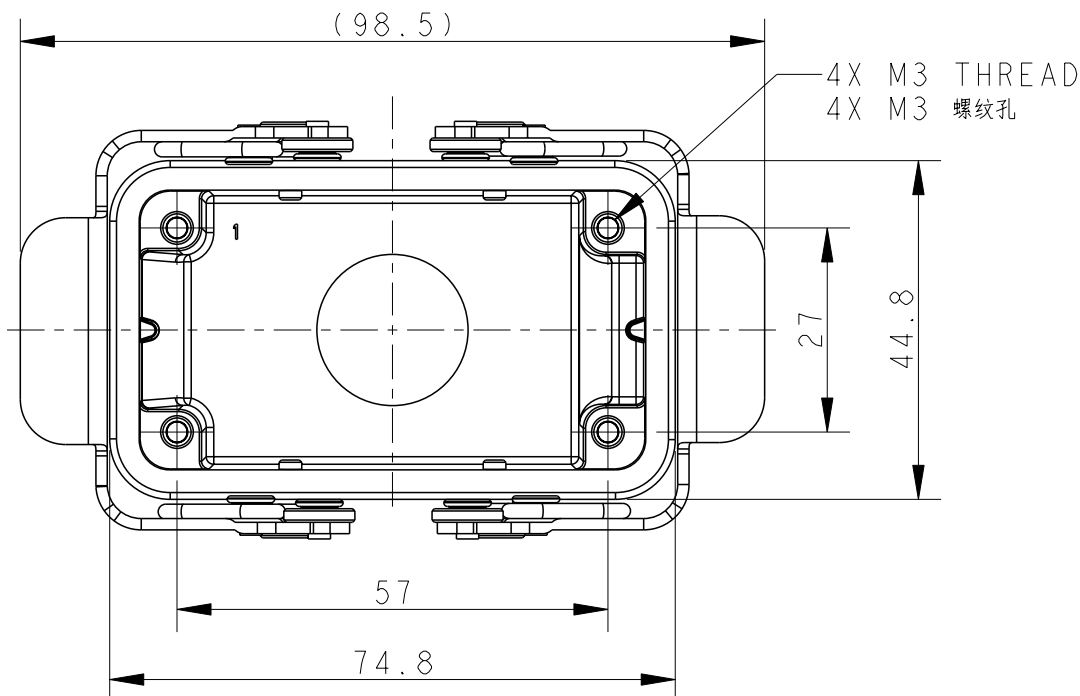
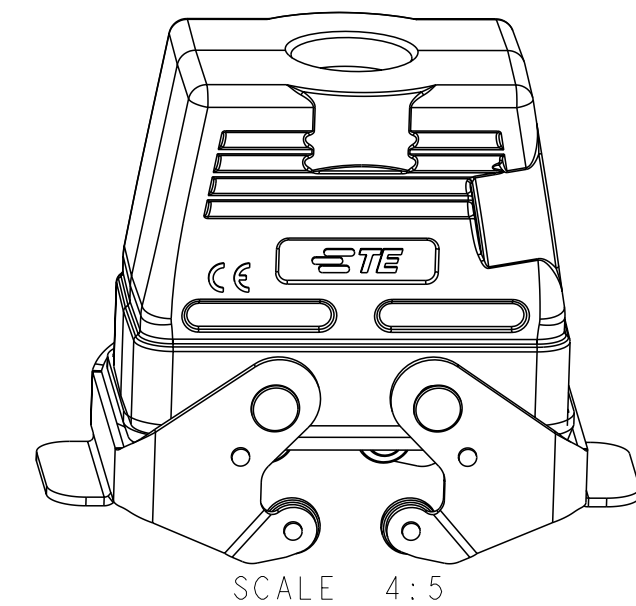
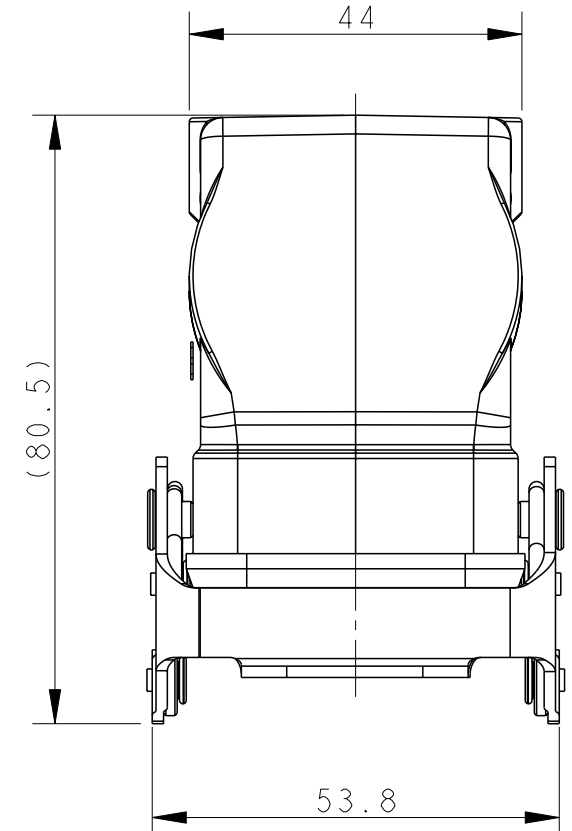
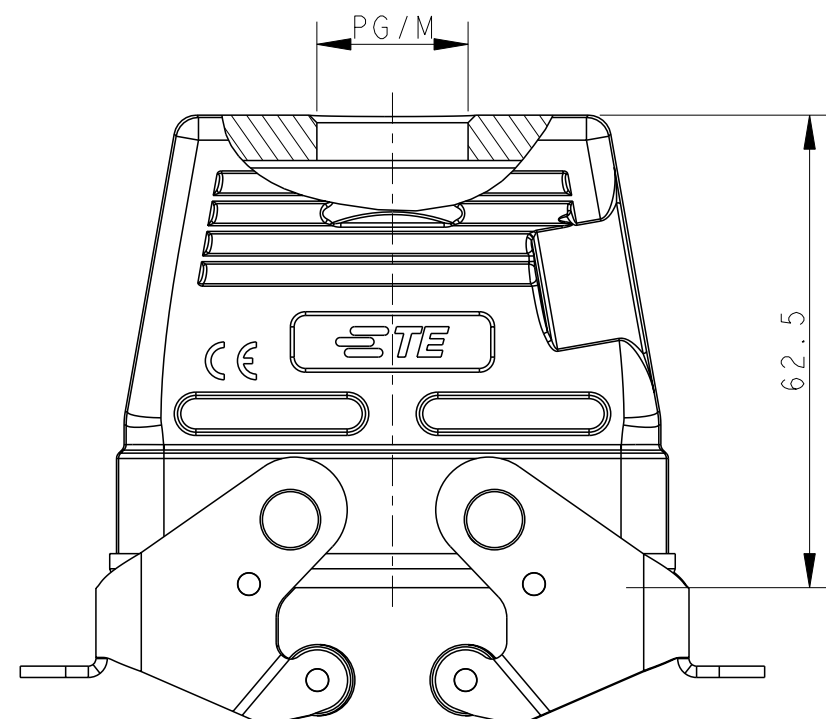


THIS DRAWING IS UNPUBLISHED. RELEASED FOR PUBLICATION 20
 © COPYRIGHT 20 BY - ALL RIGHTS RESERVED.

REVISIONS					
P	LTR	DESCRIPTION	DATE	DWN	APVD
	A	INITIAL RELEASE	08JUL2015	DL	CW
	B	ECR-20-008181	21JUL2020	WQR	CW
	BI	ECR-21-103925	07JUN2021	WQR	CW



NOTES:
 1. TECHNICAL CHARACTERISTICS:
 BODY MATERIAL: DIE CAST ALUMINIUM ALLOY
 SURFACE TREATMENT: POWDER-COATED, GRAY
 DEGREE OF PROTECTION: IP65 (MATED)

注释:
 1. 技术参数:
 主体材料: 铝合金
 表面处理: 粉末喷涂, 灰色
 防护等级: IP65(配合)

T1710101116-000	H10B-TBFS-PG16	PG16
T1710101120-000	H10B-TBFS-M20	M20
T1710101125-000	H10B-TBFS-M25	M25
ASSEMBLY PART NUMBER	ASSEMBLY PART DESCRIPTION	PG/M

THIS DRAWING IS A CONTROLLED DOCUMENT.		DWN 08JUL2015 DAVID LI	TE Connectivity NAME H10B-TBFS-PG/M		
DIMENSIONS: mm		CHK 08JUL2015 CHRIS WANG			PRODUCT SPEC 108-137013
TOLERANCES UNLESS OTHERWISE SPECIFIED:		APVD 08JUL2015 XU XIANG			APPLICATION SPEC 114-137013
0 PLC ±- 1 PLC ±- 2 PLC ±- 3 PLC ±- 4 PLC ±- ANGLES ±-		MATERIAL TBD			WEIGHT -
FINISH -		CUSTOMER DRAWING		SIZE A3 CAGE CODE - DRAWING NO C-T17101011XX000 RESTRICTED TO SCALE 1:1 SHEET 1 OF 1 REV BI	

printed on 17 Jun 2021 10:52 (China Standard Time) from TE343646