

THIS DRAWING IS UNPUBLISHED.

RELEASED FOR PUBLICATION

20

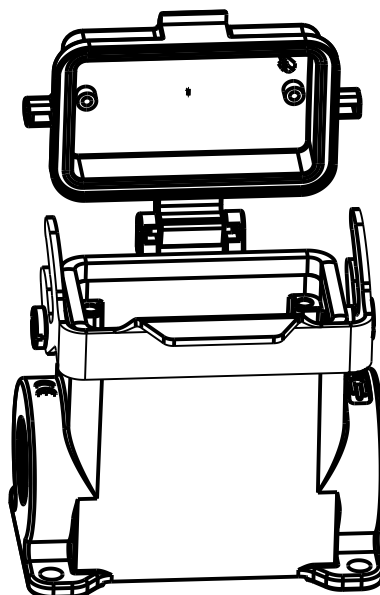
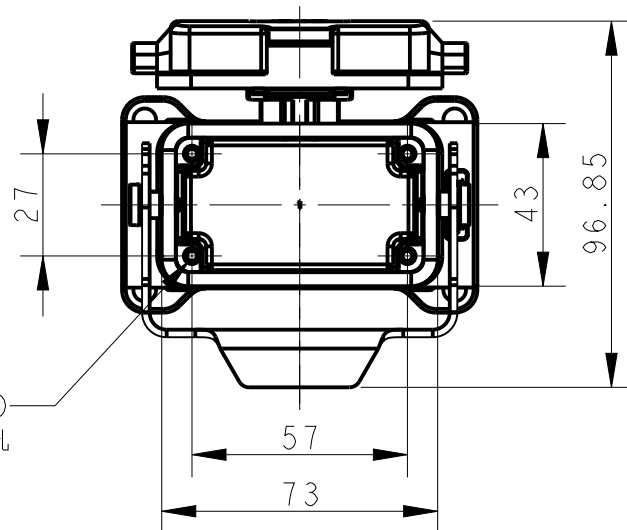
© COPYRIGHT 20 BY -

ALL RIGHTS RESERVED.

REVISIONS

P	LTR	DESCRIPTION	DATE	DWN	APVD
	A	INITIAL RELEASE	25JUN2015	DL	CW
	B	ECR-20-008181	20JUL2020	WQR	CW

4X M3 THREAD  
4X M3 螺纹孔

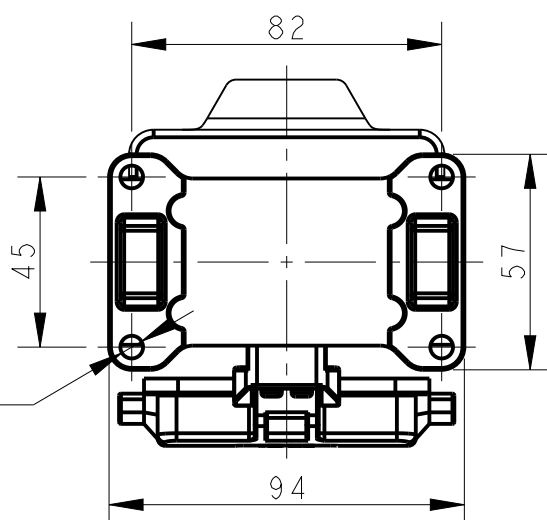
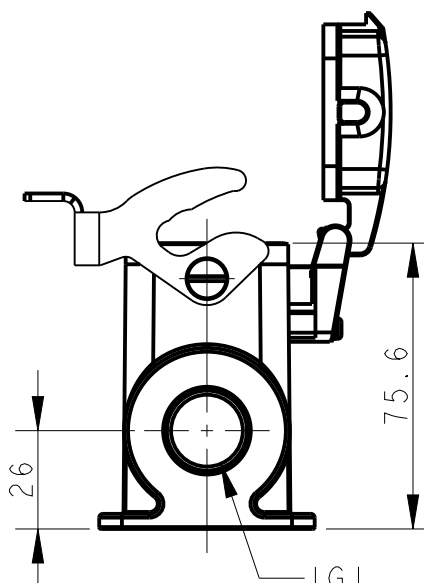
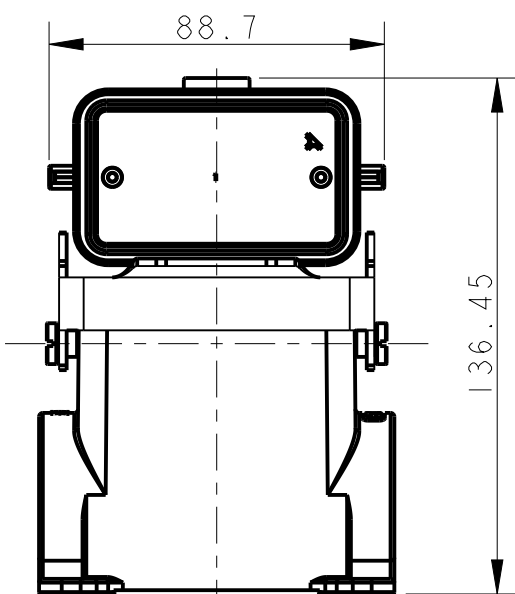
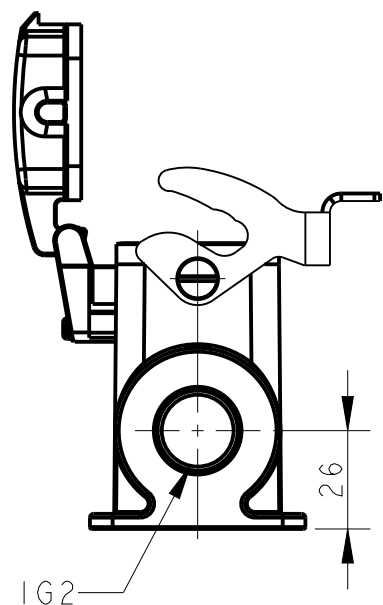


NOTES:

- TECHNICAL CHARACTERISTICS:  
BODY MATERIAL: DIE CAST ALUMINIUM ALLOY  
SURFACE TREATMENT: POWDER-COATED, GRAY  
DEGREE OF PROTECTION: IP65 (MATED)

注释:

- 技术参数:  
主体材料: 铝合金  
表面处理: 粉末喷涂, 灰色  
防护等级: IP65(配合)



T1660103121-000	TYPE I	H10B-SDRH-LB-PG21	PG21	-
T1660103125-000		H10B-SDRH-LB-M25	M25	-
T1660103129-000		H10B-SDRH-LB-PG29	PG29	-
T1660103132-000		H10B-SDRH-LB-M32	M32	-
T1660103221-000		H10B-SDRH-LB-2PG21	PG21	PG21
T1660103225-000		H10B-SDRH-LB-2M25	M25	M25
T1660103229-000		H10B-SDRH-LB-2PG29	PG29	PG29
T1660103232-000		H10B-SDRH-LB-2M32	M32	M32
ASSEMBLY PART NUMBER	TYPE	ASSEMBLY PART DESCRIPTION	IG1	IG2

TYPE I: HIGH BODY + STEEL LOCKING + PLASTIC PROTECTION COVER

THIS DRAWING IS A CONTROLLED DOCUMENT.		DWN	25JUN2015	<b>TE</b> TE Connectivity
		CHK	25JUN2015	
		APVD	25JUN2015	
		NAME	XU XIANG	
DIMENSIONS: mm		PRODUCT SPEC	108-137013	NAME H10B-SDRH-LB-PG/M
TOLERANCES UNLESS OTHERWISE SPECIFIED: 0 PLC ±- 1 PLC ±- 2 PLC ±- 3 PLC ±- 4 PLC ±- ANGLES ±-		APPLICATION SPEC	114-137013	
MATERIAL TBD	FINISH -	WEIGHT -	CUSTOMER DRAWING	SIZE A3
			SCALE 1:2	CAGE CODE -
			DRAWING NO C-T166010XXXX000	RESTRICTED TO
			SHEET 1	OF 2
			REV B	

4

3

2

1

THIS DRAWING IS UNPUBLISHED.

RELEASED FOR PUBLICATION

20

© COPYRIGHT 20

BY -

ALL RIGHTS RESERVED.

REVISIONS

P	LTR	DESCRIPTION	DATE	DWN	APVD
-		SEE SHEET 1	-	-	-

(96.5)

92.6

(133.9)

IG2

IG1

T1660103321-000	TYPE 2	H10B-SDRHM-LB-PG21	PG21	-
T1660103329-000		H10B-SDRHM-LB-PG29	PG29	-
T1660103332-000		H10B-SDRHM-LB-M32	M32	-
T1660103421-000		H10B-SDRHM-LB-2PG21	PG21	PG21
T1660103429-000		H10B-SDRHM-LB-2PG29	PG29	PG29
T1660103432-000		H10B-SDRHM-LB-2M32	M32	M32
ASSEMBLY PART NUMBER	TYPE	ASSEMBLY PART DESCRIPTION	IG1	IG2

THIS DRAWING IS A CONTROLLED DOCUMENT.

DWN 25JUN2015

DAVID LI

CHK 25JUN2015

CHRIS WANG

APVD 25JUN2015

XU XIANG

PRODUCT SPEC

108-137013

APPLICATION SPEC

114-137013

WEIGHT

-

CUSTOMER DRAWING

TE Connectivity

NAME  
H10B-SDRHM-LB-PG/M

SIZE CAGE CODE DRAWING NO RESTRICTED TO

A3 - C-T166010XXXX000

SCALE 1:2 SHEET 2 OF 2 REV B

TYPE 2: HIGH BODY + STEEL LOCKING + METAL PROTECTION COVER

OTHER SPEC REFER TO TYPE 1

DIMENSIONS:

mm

TOLERANCES UNLESS OTHERWISE SPECIFIED:

0 PLC	±-
1 PLC	±-
2 PLC	±-
3 PLC	±-
4 PLC	±-
ANGLES	±-

MATERIAL  
TBD

FINISH

-

1470-19 (3/13)