

THIS DRAWING IS UNPUBLISHED.

RELEASED FOR PUBLICATION

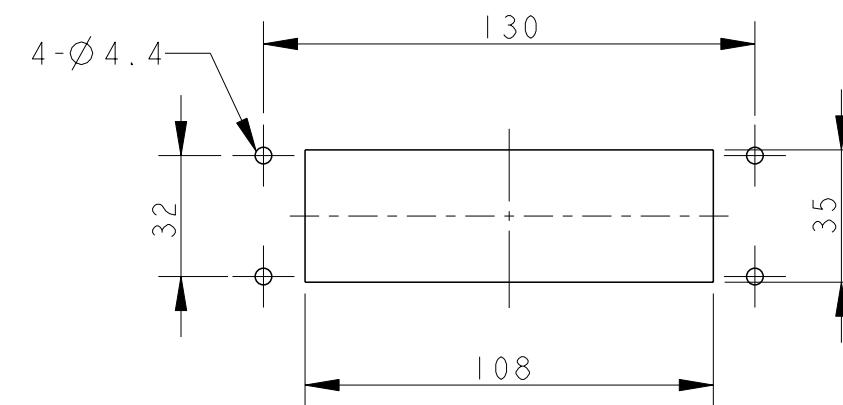
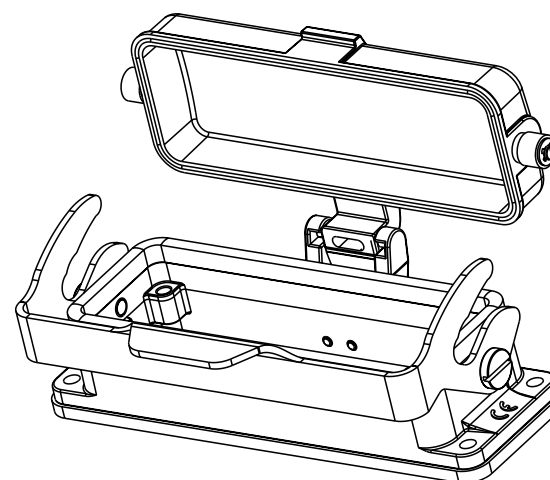
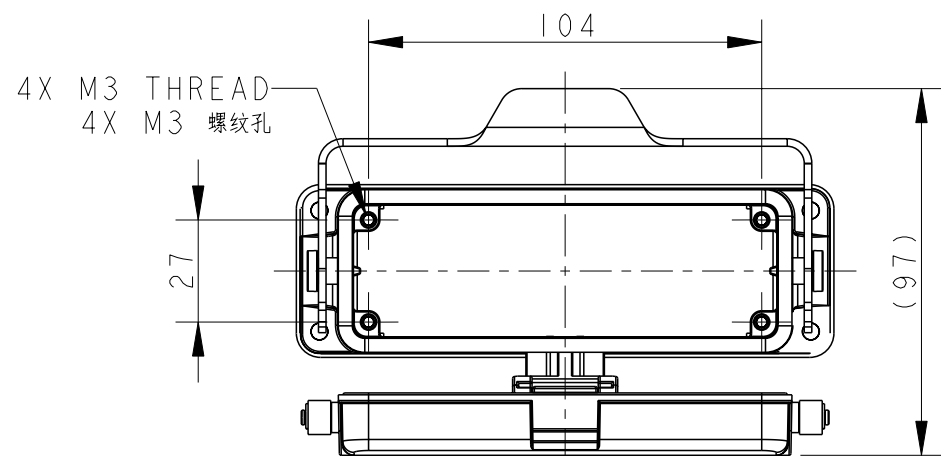
20

© COPYRIGHT 20 BY -

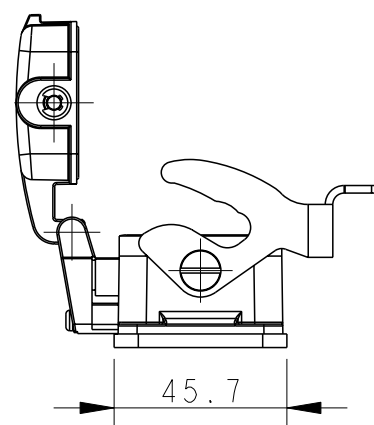
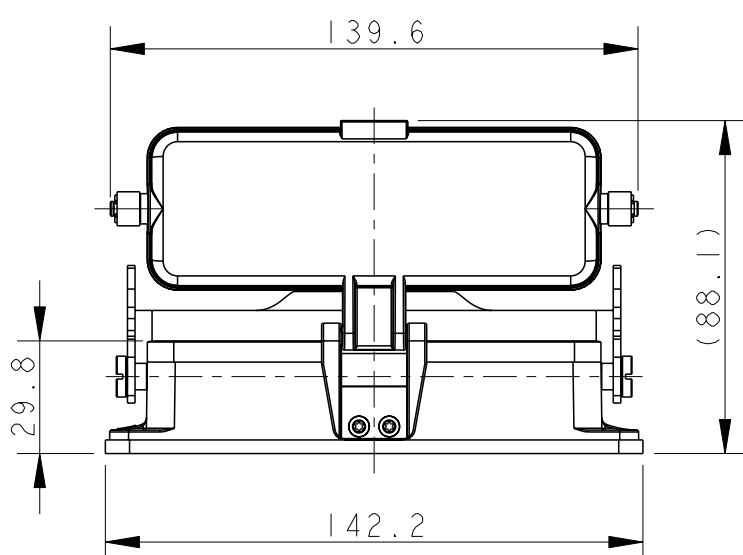
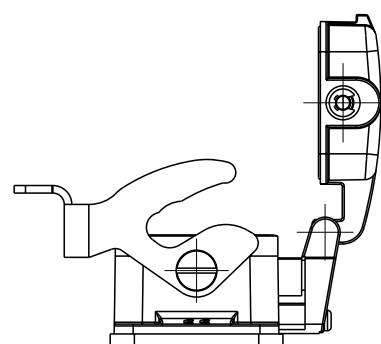
ALL RIGHTS RESERVED.

REVISIONS

P	LTR	DESCRIPTION	DATE	DWN	APVD
A		INITIAL RELEASE	19JUN2015	DL	CW
B		ECR-20-014876	23JUL2021	WQR	CW



PANNEL CUT OUT

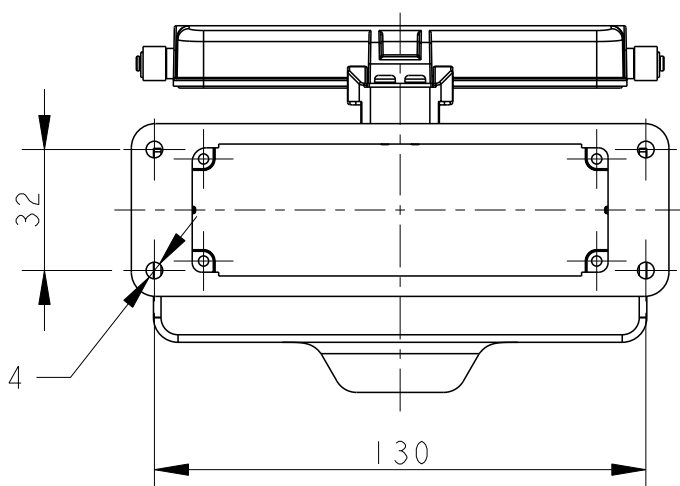


NOTES:


- TECHNICAL CHARACTERISTICS:
BODY MATERIAL: DIE CAST ALUMINIUM ALLOY
SURFACE TREATMENT: POWDER-COATED, GRAY
DEGREE OF PROTECTION: IP65 (MATED)

注释:

- 技术参数:
主体材料: 铝合金
表面处理: 粉末喷涂, 灰色
防护等级: IP65(配合)



T1510243100-000	H24B-ADM-LB
ASSEMBLY PART NUMBER	ASSEMBLY PART DESCRIPTION

THIS DRAWING IS A CONTROLLED DOCUMENT.		DWN	19JUN2015	 TE Connectivity	NAME	H24B-ADM-LB					
DIMENSIONS:		DAVID LI	19JUN2015								
TOLERANCES UNLESS OTHERWISE SPECIFIED:		CHRIS WANG	19JUN2015								
mm		XU XIANG	19JUN2015								
0 PLC ±- 1 PLC ±- 2 PLC ±- 3 PLC ±- 4 PLC ±- ANGLES ±-		PRODUCT SPEC	108-137013	SIZE							
MATERIAL		FINISH		APPLICATION SPEC			CAGE CODE	DRAWING NO	RESTRICTED TO		
-		-	-	114-137013			-	©-T1510243100000			
-		-	-	WEIGHT			A3	SCALE	SHEET	OF	REV
				CUSTOMER DRAWING			1:2	1	1	B	

printed on 26 Jul 2021 09:27 (China Standard Time) from TE343646

A

A