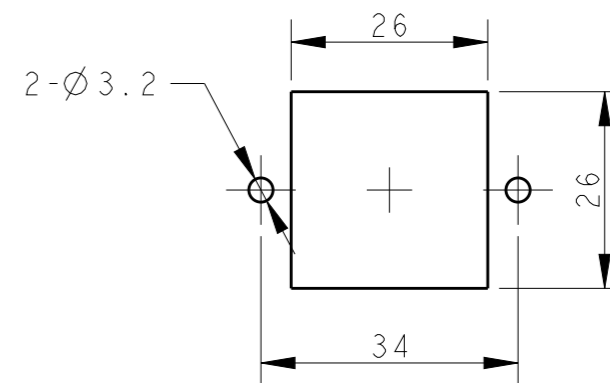
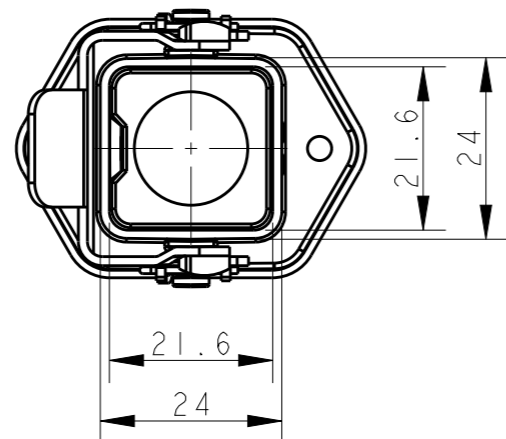
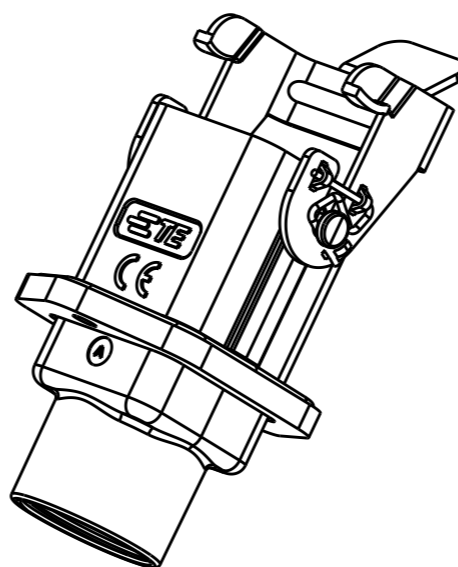


REVISIONS

P	LTR	DESCRIPTION	DATE	DWN	APVD
	A	INITIAL RELEASE	14JAN2016	DL	CW
	A1	ECR-16-001653	03FEB2016	DL	CW
	B	ECR-20-007782	24NOV2020	BS	CW



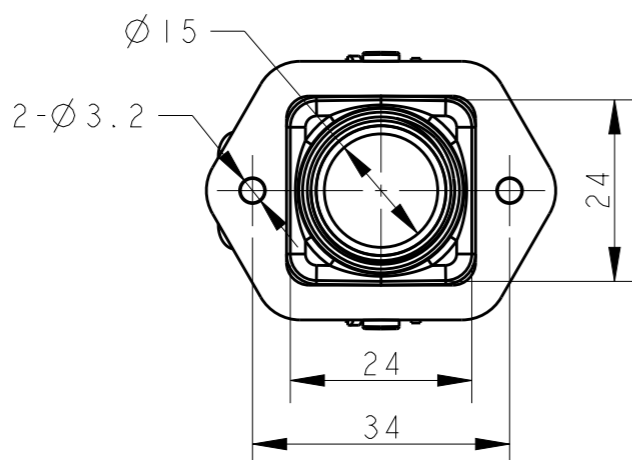
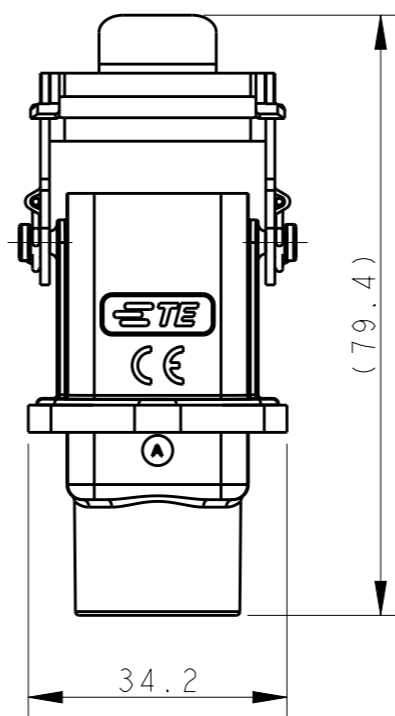
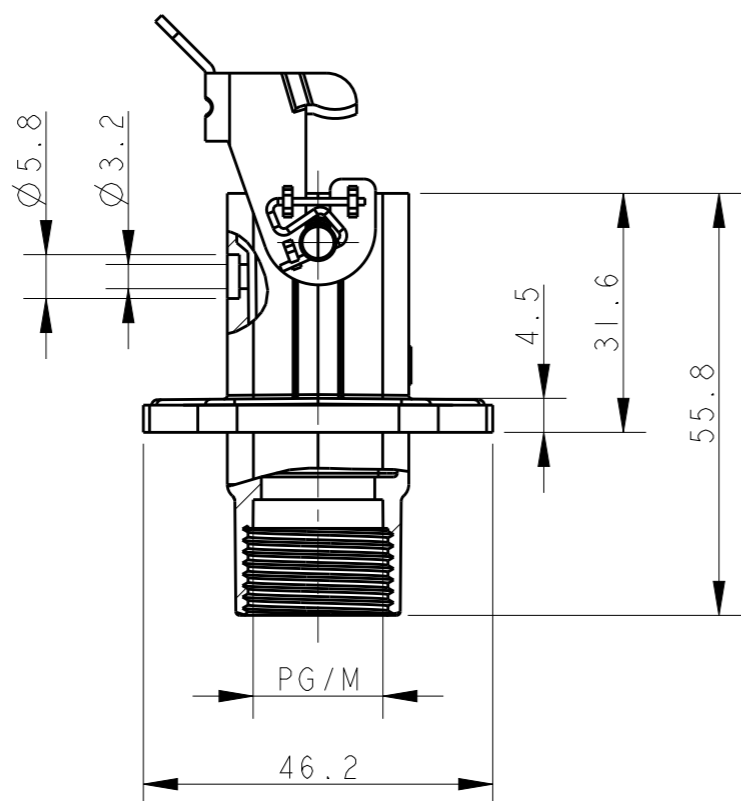
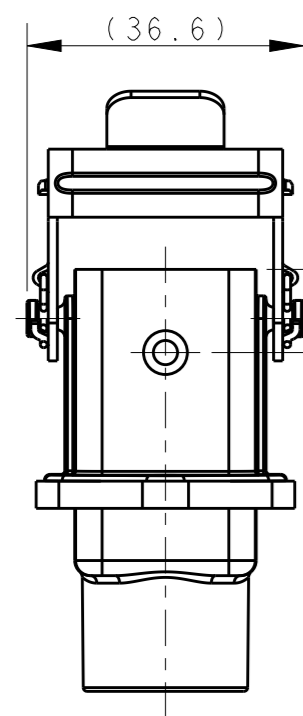
PANNEL CUT OUT

NOTES:


- 1. TECHNICAL CHARACTERISTICS:
 BODY MATERIAL: DIE CAST ZINC ALLOY
 SURFACE TREATMENT: POWDER-COATED, GRAY
 DEGREE OF PROTECTION: IP65 (MATED)

注释:

- 1. 技术参数:
 主体材料: 锌合金
 表面处理: 粉末喷涂, 灰色
 防护等级: IP65(配合)



T1509033111-000	H3A-MAG-PG11 H3A 开孔安装下壳 PG11	PG11
T1509033120-000	H3A-MAG-M20 H3A 开孔安装下壳 M20	M20
PART NUMBER 料号	PART DESCRIPTION 描述	PG/M PG/M螺纹孔

THIS DRAWING IS A CONTROLLED DOCUMENT.		DWN 14JAN2016 DAVID LI	 TE Connectivity	
DIMENSIONS: mm		CHK 14JAN2016 CHRIS WANG		
TOLERANCES UNLESS OTHERWISE SPECIFIED:		APVD 14JAN2016 XU XIANG	NAME H3A-MAG-PG/M	
0 PLC ±-		PRODUCT SPEC 108-137170	SIZE A3	
1 PLC ±-		APPLICATION SPEC 114-137012	CAGE CODE -	
2 PLC ±-		WEIGHT -	DRAWING NO C-T15090331XX000	
3 PLC ±-		Customer Drawing	RESTRICTED TO -	
4 PLC ±-			SCALE 1:1	
ANGLES ±-			SHEET 1 OF 1	
FINISH -			REV B	