

THIS DRAWING IS UNPUBLISHED.

RELEASED FOR PUBLICATION

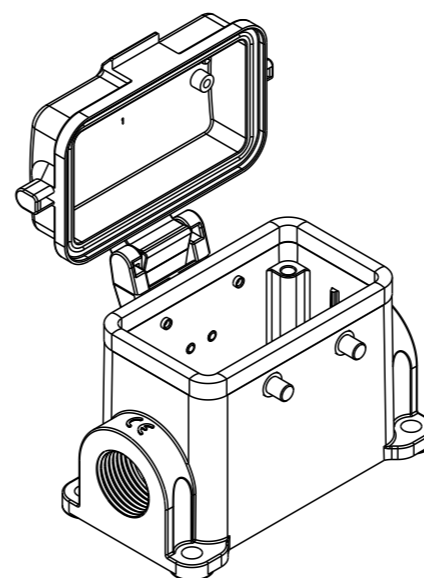
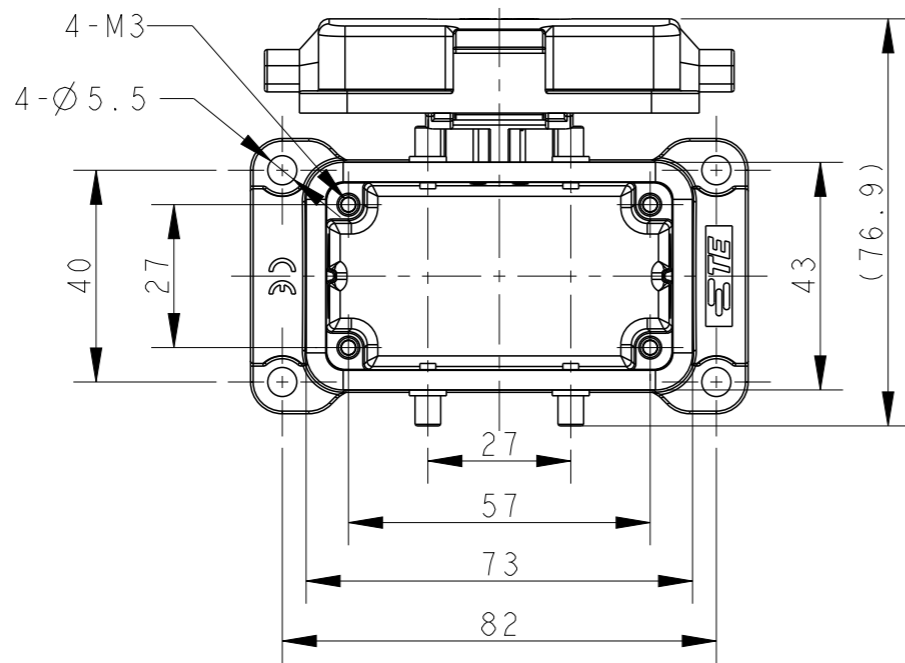
20

© COPYRIGHT 20 BY -

ALL RIGHTS RESERVED.

REVISIONS

P	LTR	DESCRIPTION	DATE	DWN	APVD
	A	INITIAL RELEASE	25JUN2015	DL	CW
	B	ECR-20-008181	09JUL2020	WQR	CW



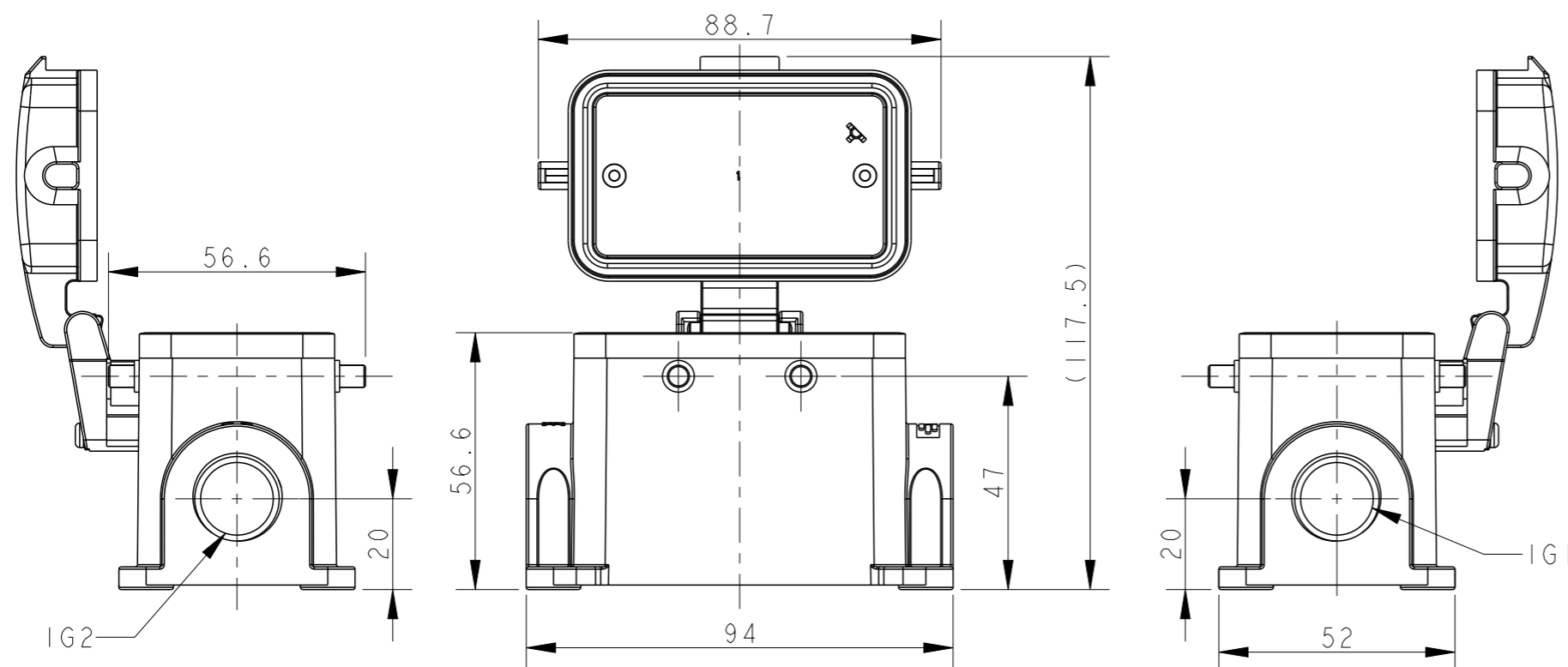
SCALE 1:2

NOTES:

- 1. TECHNICAL CHARACTERISTICS:  
 BODY MATERIAL: DIE CAST ALUMINIUM ALLOY  
 SURFACE TREATMENT: POWDER-COATED, GRAY  
 DEGREE OF PROTECTION: IP65 (MATED)

注释:

- 1. 技术参数:  
 主体材料: 铝合金  
 表面处理: 粉末喷涂, 灰色  
 防护等级: IP65(配合)



TYPE 1: BODY + PLASTIC PROTECTION COVER

TI460100116-000	TYPE I	H10B-SDR-BO-PG16	PG16	-
TI460100120-000		H10B-SDR-BO-M20	M20	-
TI460100121-000		H10B-SDR-BO-PG21	PG21	-
TI460100125-000		H10B-SDR-BO-M25	M25	-
TI460100216-000		H10B-SDR-BO-2PG16	PG16	PG16
TI460100220-000		H10B-SDR-BO-2M20	M20	M20
TI460100221-000		H10B-SDR-BO-2PG21	PG21	PG21
TI460100225-000		H10B-SDR-BO-2M25	M25	M25
ASSEMBLY PART NUMBER		TYPE	ASSEMBLY PART DESCRIPTION	IG1

THIS DRAWING IS A CONTROLLED DOCUMENT.

DWN 25JUN2015

DAVID LI

CHK 25JUN2015

CHRIS WANG

APVD 25JUN2015

XU XIANG

PRODUCT SPEC

108-137013

APPLICATION SPEC

114-137013

WEIGHT

-

CUSTOMER DRAWING



TE Connectivity

NAME H10B-SDR-BO-PG/M

SIZE CAGE CODE DRAWING NO RESTRICTED TO

A3 - C-TI46010XXXX000

SCALE 1:2 SHEET 1 OF 2 REV B

DIMENSIONS:

mm



TOLERANCES UNLESS OTHERWISE SPECIFIED:

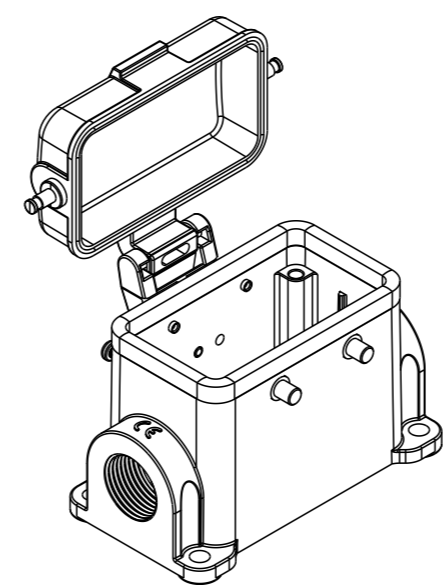
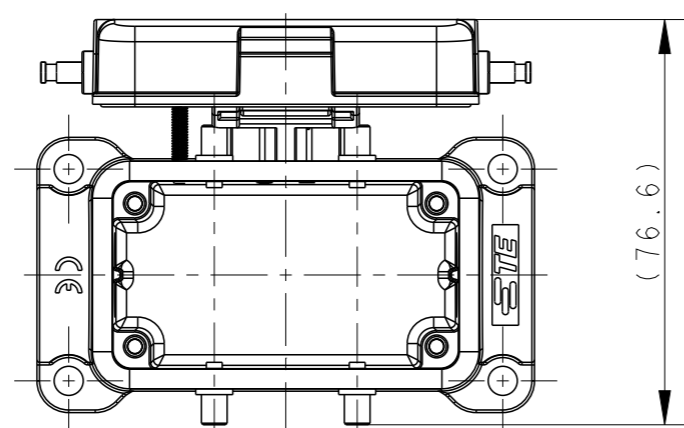
- 0 PLC ±-
- 1 PLC ±-
- 2 PLC ±-
- 3 PLC ±-
- 4 PLC ±-
- ANGLES ±-
- FINISH -

MATERIAL TBD

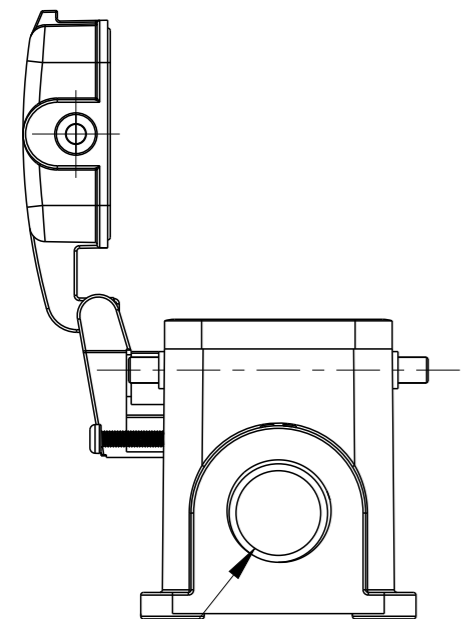
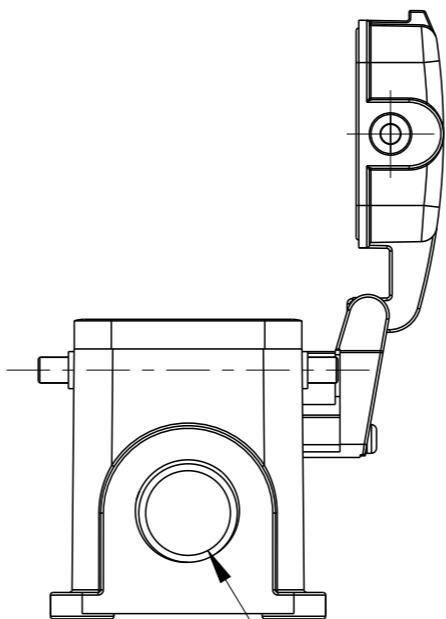
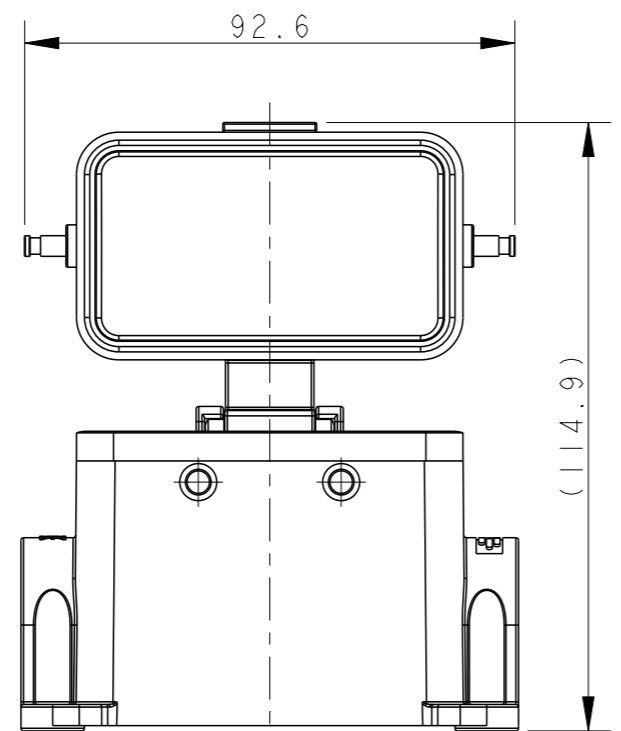
-

REVISIONS

P	LTR	DESCRIPTION	DATE	DWN	APVD
-	-	SEE SHEET 1	-	-	-



SCALE 1:2



IG2

IG1

TYPE 2: BODY + METAL PROTECTION COVER  
OTHER SPEC REFER TO TYPE 1

TI460101116-000	TYPE 2	H10B-SDRM-BO-PG16	PG16	-
TI460101120-000		H10B-SDRM-BO-M20	M20	-
TI460101121-000		H10B-SDRM-BO-PG21	PG21	-
TI460101125-000		H10B-SDRM-BO-M25	M25	-
TI460101216-000		H10B-SDRM-BO-2PG16	PG16	PG16
TI460101220-000		H10B-SDRM-BO-2M20	M20	M20
TI460101221-000		H10B-SDRM-BO-2PG21	PG21	PG21
TI460101225-000		H10B-SDRM-BO-2M25	M25	M25
ASSEMBLY PART NUMBER	TYPE	ASSEMBLY PART DESCRIPTION	IG1	IG2

THIS DRAWING IS A CONTROLLED DOCUMENT.		DWN	DAVID LI	25JUN2015	<b>STE</b> TE Connectivity			
DIMENSIONS: mm		CHK	CHRIS WANG	25JUN2015				
TOLERANCES UNLESS OTHERWISE SPECIFIED:		APVD	XU XIANG	25JUN2015				
<ul style="list-style-type: none"> <li>0 PLC ±-</li> <li>1 PLC ±-</li> <li>2 PLC ±-</li> <li>3 PLC ±-</li> <li>4 PLC ±-</li> <li>ANGLES ±-</li> <li>FINISH -</li> </ul>		PRODUCT SPEC	108-137013					
MATERIAL TBD		APPLICATION SPEC	114-137013		NAME	H10B-SDRM-BO-PG/M		
		WEIGHT	-		SIZE	A3	CAGE CODE	-
		CUSTOMER DRAWING			DRAWING NO	C-TI46010XXXX000		RESTRICTED TO
					SCALE	7:10	SHEET	2 OF 2
					REV	B		