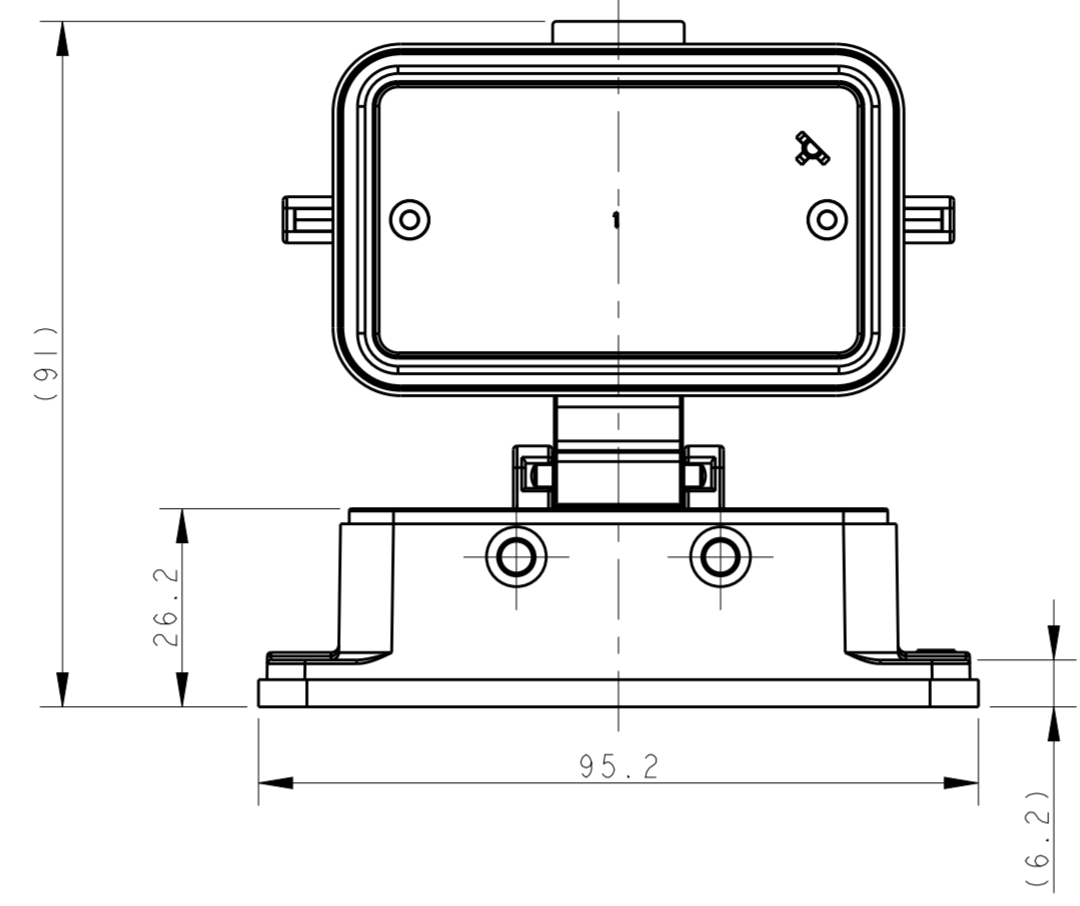
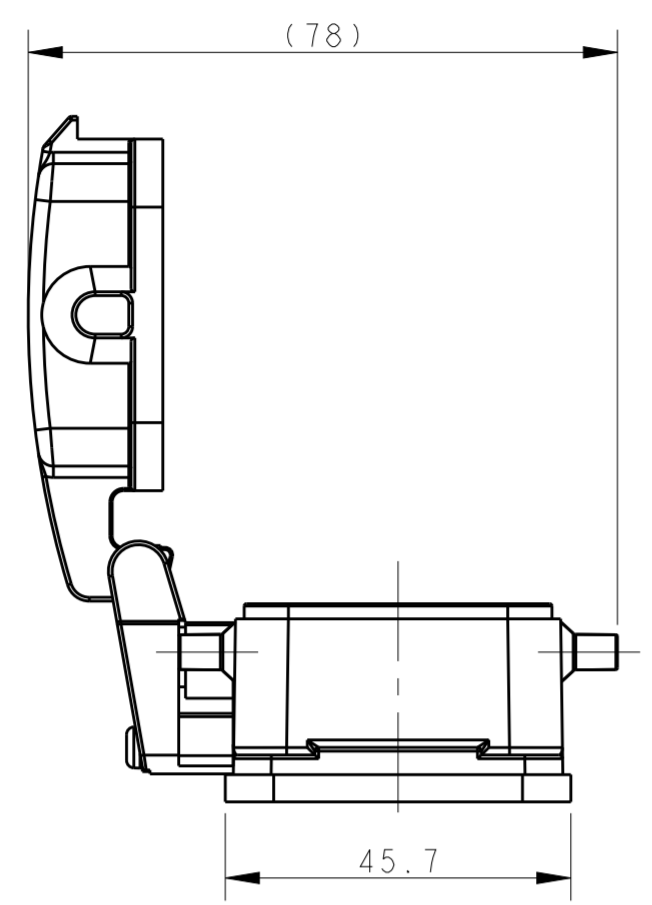


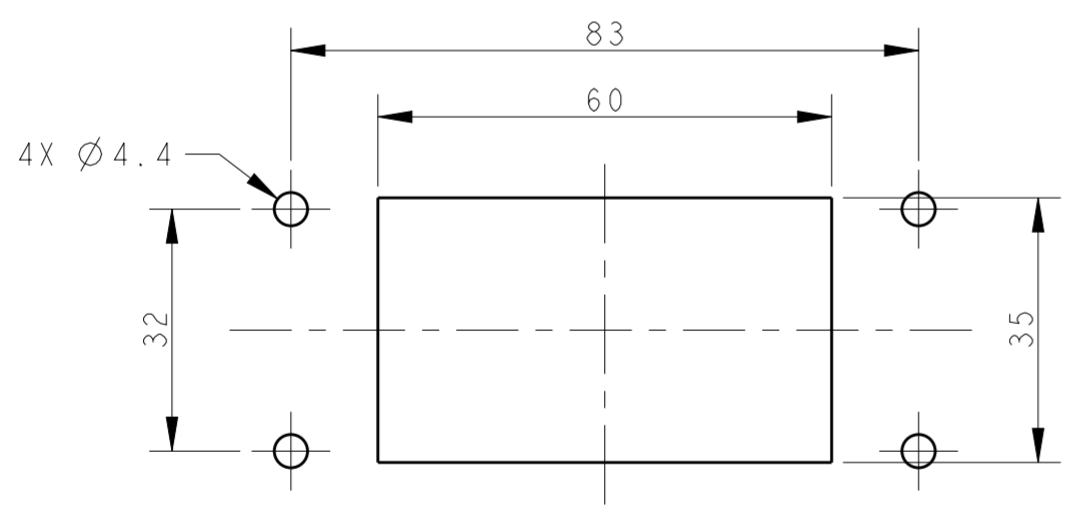
THIS DRAWING IS UNPUBLISHED. RELEASED FOR PUBLICATION 20
 © COPYRIGHT 20 BY - ALL RIGHTS RESERVED.

| REVISIONS | | | | | |
|-----------|-----|---------------|-----------|-----|------|
| P | LTR | DESCRIPTION | DATE | DWN | APVD |
| A | | INITIAL | 08MAY2017 | QY | CW |
| B | | ECR-20-008181 | 06JUL2020 | WOR | CW |

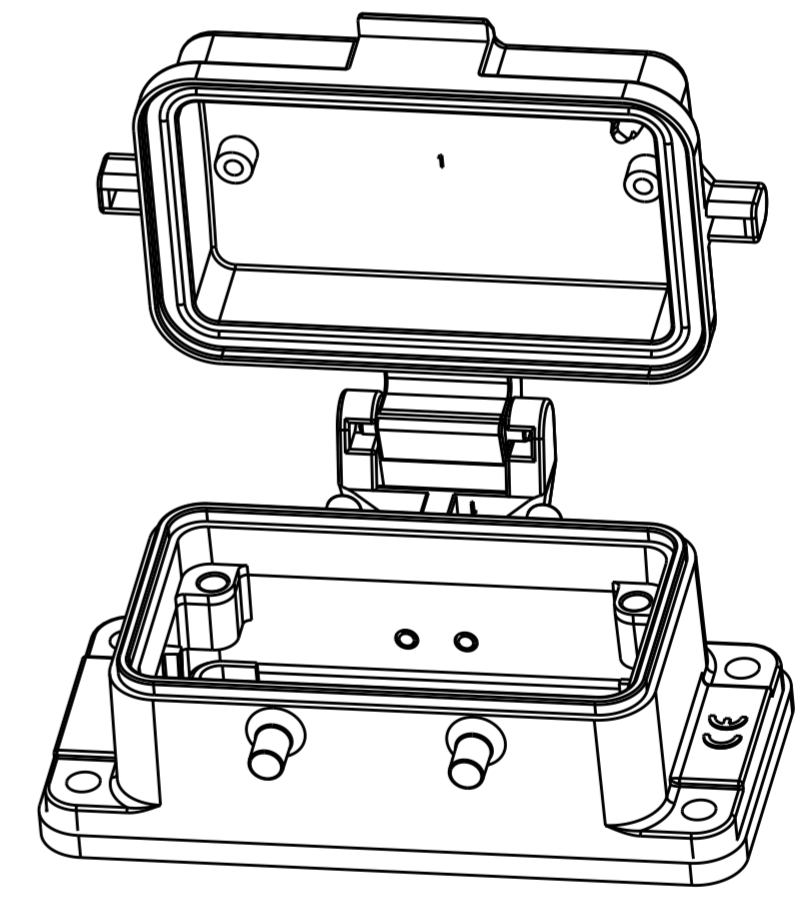
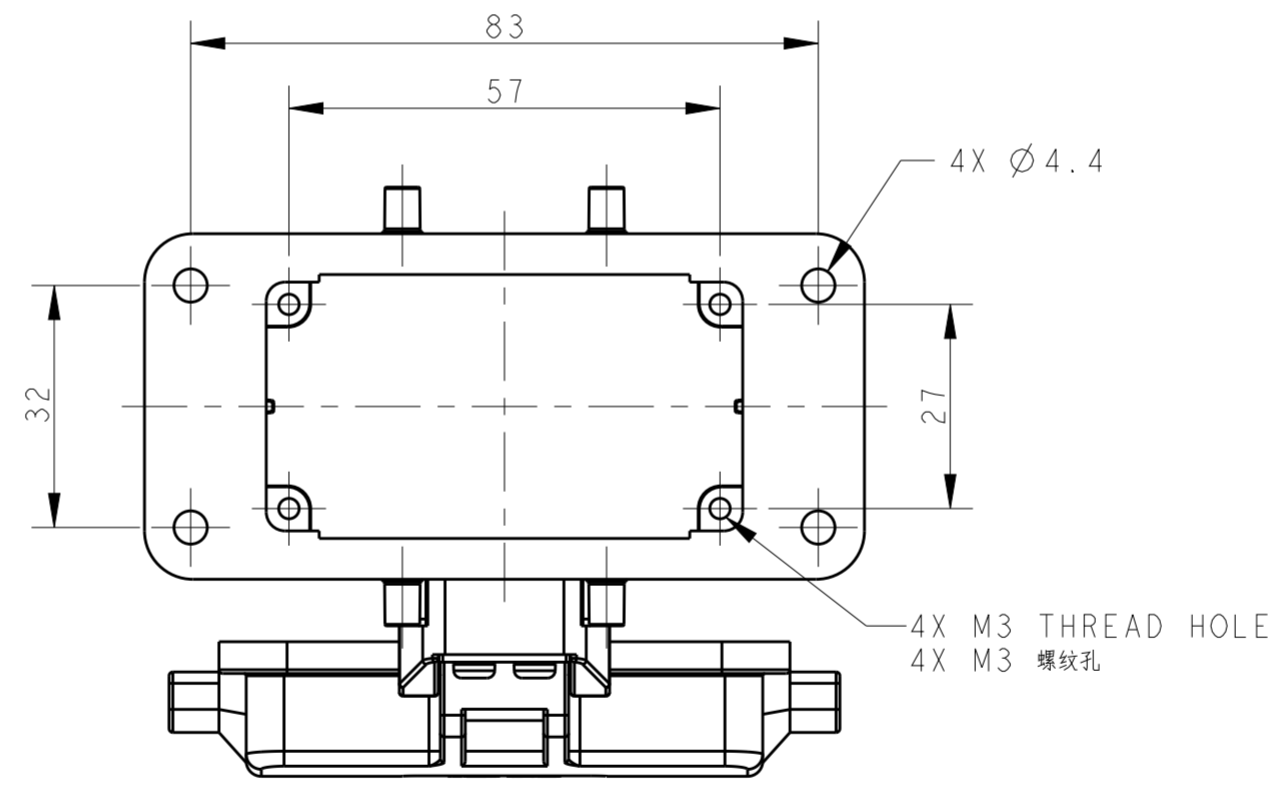


NOTES:
 1. TECHNICAL CHARACTERISTICS:
 HOUSING MATERIAL: DIE CAST ALUMINIUM ALLOY
 SURFACE: POWDER COATED, GREY
 DEGREE OF PROTECTION: IP65 (MATED HOOD WITH SEALING)

注释:
 1. 技术参数:
 下壳材料: 铝合金
 表面处理: 粉末涂层, 灰色
 防护等级: IP65 (与带有密封圈上壳配合)



RECOMMENDED PANEL CUT OUT DIMENSION
 推荐开孔安装尺寸



| | | |
|-------------------|---|------------|
| TI430100000-001 | H10B HOUSING, BULKHEAD MOUNTED, 4 EAR, PLASTIC PROTECTION COVER, NO STICK SEALING, POWDER COATED, GREY H10B下壳, 开孔安装, 4耳, 带塑料保护盖, 不粘密封圈, 灰色粉末喷涂 | H10B-AD-BO |
| PART NUMBER 料号 | PART DESCRIPTION 描述 | |

| | | | | |
|--|--|---------------------------------|--------------------------------|--|
| THIS DRAWING IS A CONTROLLED DOCUMENT. | | DWN QIANG YUAN 08MAY2017 | STE TE Connectivity | |
| DIMENSIONS: mm | | CHK GINO YAO 08MAY2017 | | |
| TOLERANCES UNLESS OTHERWISE SPECIFIED: | | APVD CHRIS WANG 08MAY2017 | NAME H10B-AD-BO | |
| 0 PLC ± | | PRODUCT SPEC 108-137013 | SIZE A200779 | |
| 1 PLC ± | | APPLICATION SPEC 104-137013 | DRAWING NO C-TI430100000001 | |
| 2 PLC ± | | WEIGHT - | RESTRICTED TO - | |
| 3 PLC ± | | Customer Drawing | SCALE 1:1 | |
| 4 PLC ± | | | SHEET OF | |
| ANGLES ± | | | REV B | |
| FINISH | | | | |