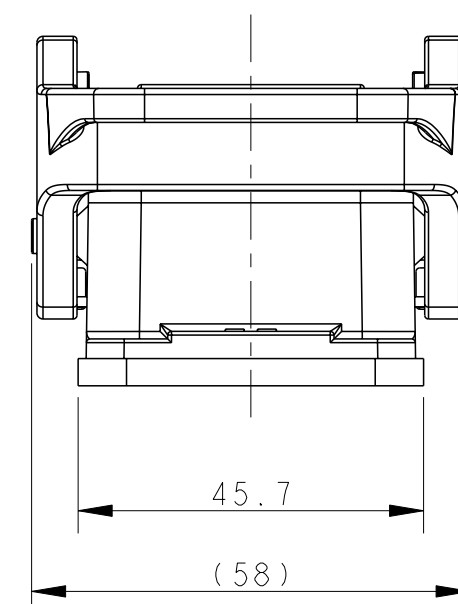
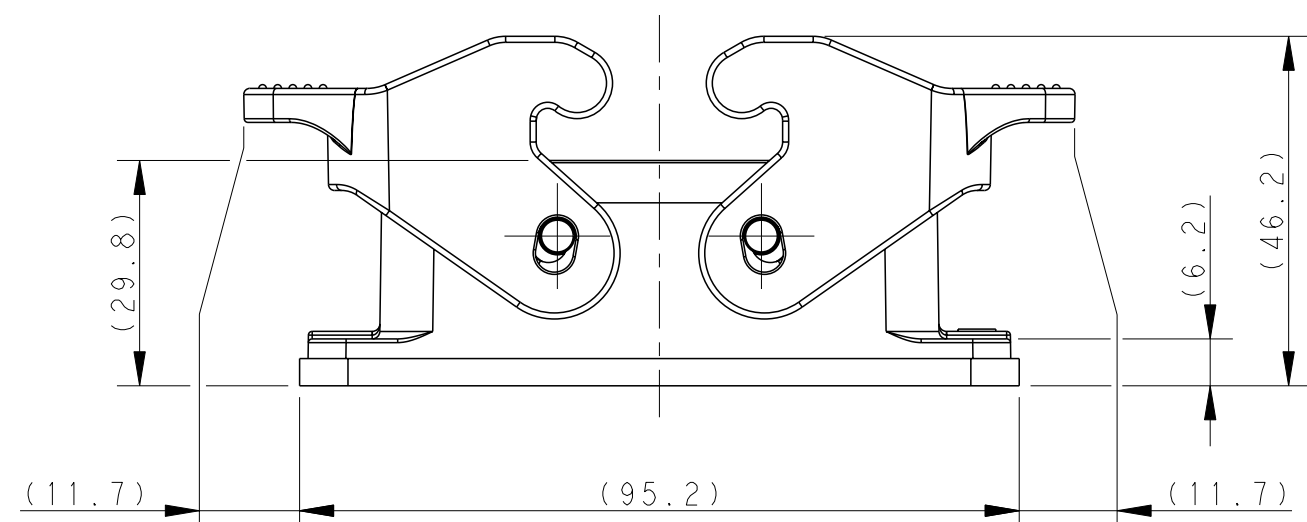


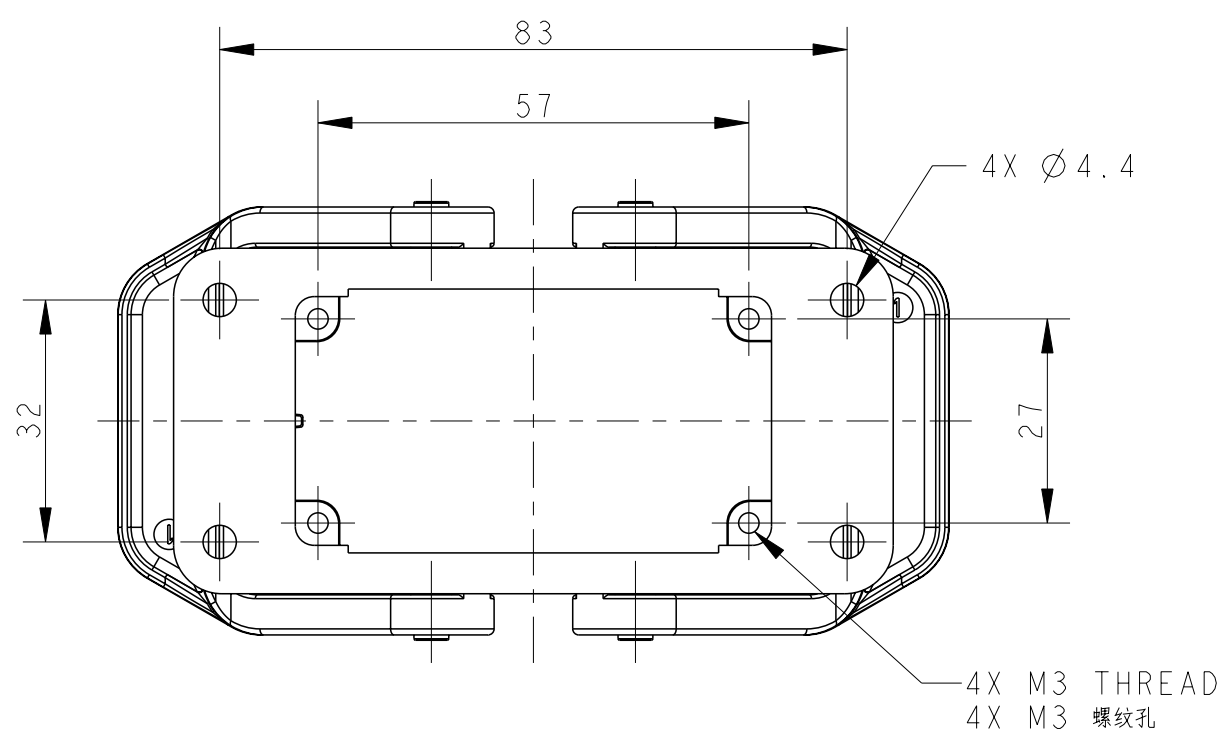
THIS DRAWING IS UNPUBLISHED. RELEASED FOR PUBLICATION 20
 © COPYRIGHT 20 BY - ALL RIGHTS RESERVED.

REVISIONS					
P	LTR	DESCRIPTION	DATE	DWN	APVD
A		INITIAL RELEASE	24FEB2020	DW	CW
B		ECR-20-014388	26NOV2020	WQR	CW

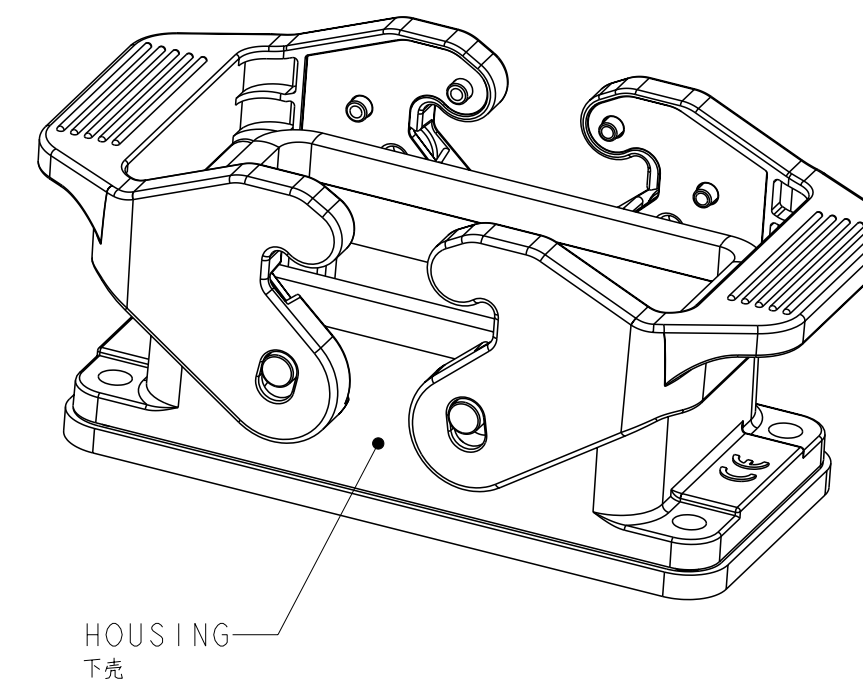
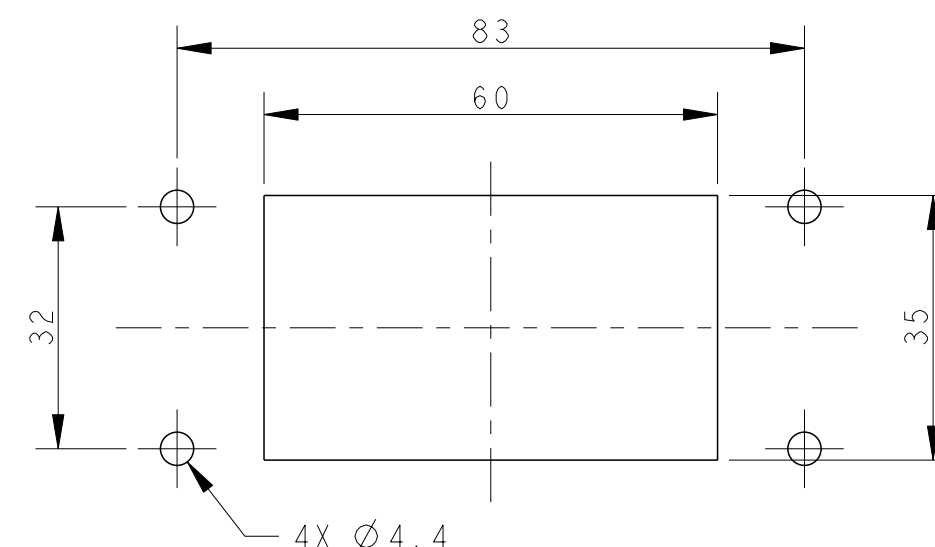


NOTES:
 1. TECHNICAL CHARACTERISTICS:
 HOUSING MATERIAL: DIE CAST ALUMINIUM ALLOY
 HOUSING SURFACE: POWDER COATED, GREY
 DEGREE OF PROTECTION: IP65 (MATED)

注释:
 1. 技术参数:
 下壳材料: 铝合金
 下壳表面处理: 灰色粉末涂层
 防护等级: IP65(配合)



PANEL CUT OUT DIMENSION, ONLY FOR REFERENCE
 面板开口尺寸, 仅供参考



T1410100000-001	H10B-AG-SL ONE RIB	H10B HOUSING, BULKHEAD MOUNTED, PLASTIC DOUBLE LOCKING ONE RIB, POWDER COATED, GREY H10B下壳, 开孔安装, 塑料双扣, 一边筋条, 灰色粉末喷涂
PART NUMBER 零件料号	PART DESCRIPTION 零件描述	

THIS DRAWING IS A CONTROLLED DOCUMENT.		DWN 24FEB2020 DAVID WANG	STE TE Connectivity	
		CHK 24FEB2020 GINO YAO		
DIMENSIONS: mm		APVD 24FEB2020 CHRIS WANG	NAME H10B-AG-SL, ONE RIB	
TOLERANCES UNLESS OTHERWISE SPECIFIED:		PRODUCT SPEC 108-137018	SIZE A200779	
0 PLC ±-		APPLICATION SPEC 114-137018	DRAWING NO C-T1410100000001	
1 PLC ±-		WEIGHT	RESTRICTED TO	
2 PLC ±-		CUSTOMER DRAWING	SCALE 1:1 SHEET 1 OF 1 REV B	
3 PLC ±-				
4 PLC ±-				
ANGLES ±-				
FINISH				

Printed on 25 Mar 2021 13:20 (China Standard Time) from IE343646