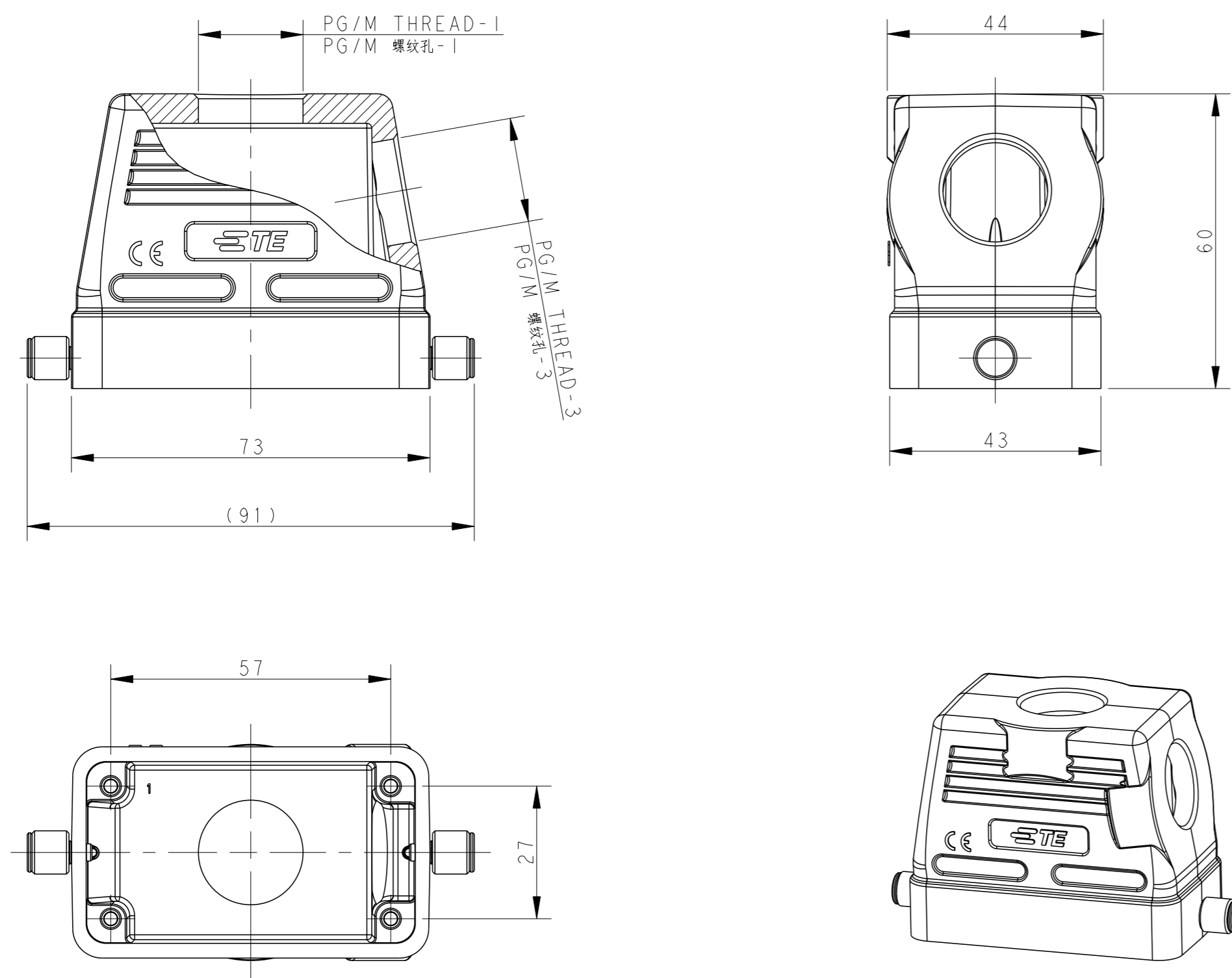
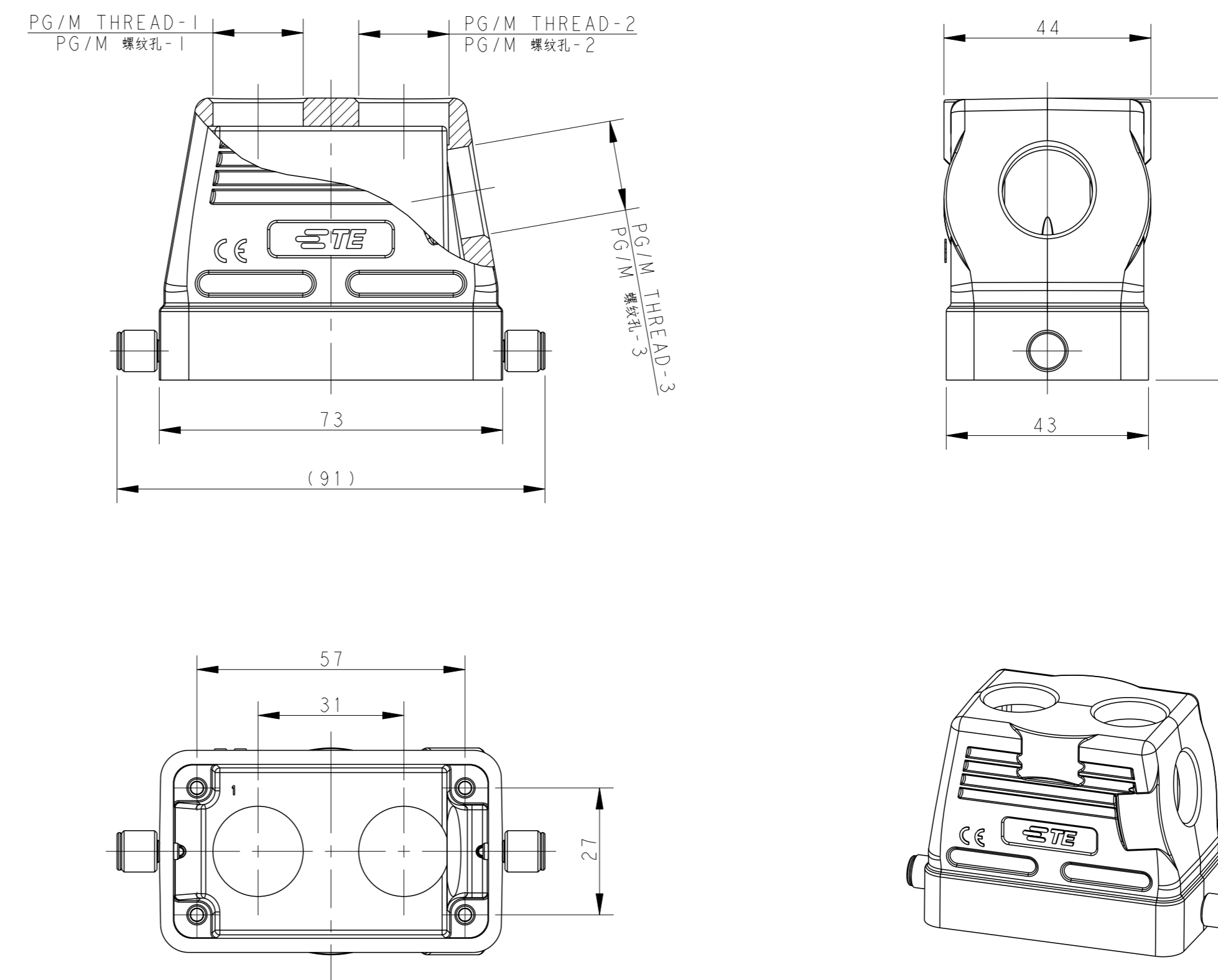


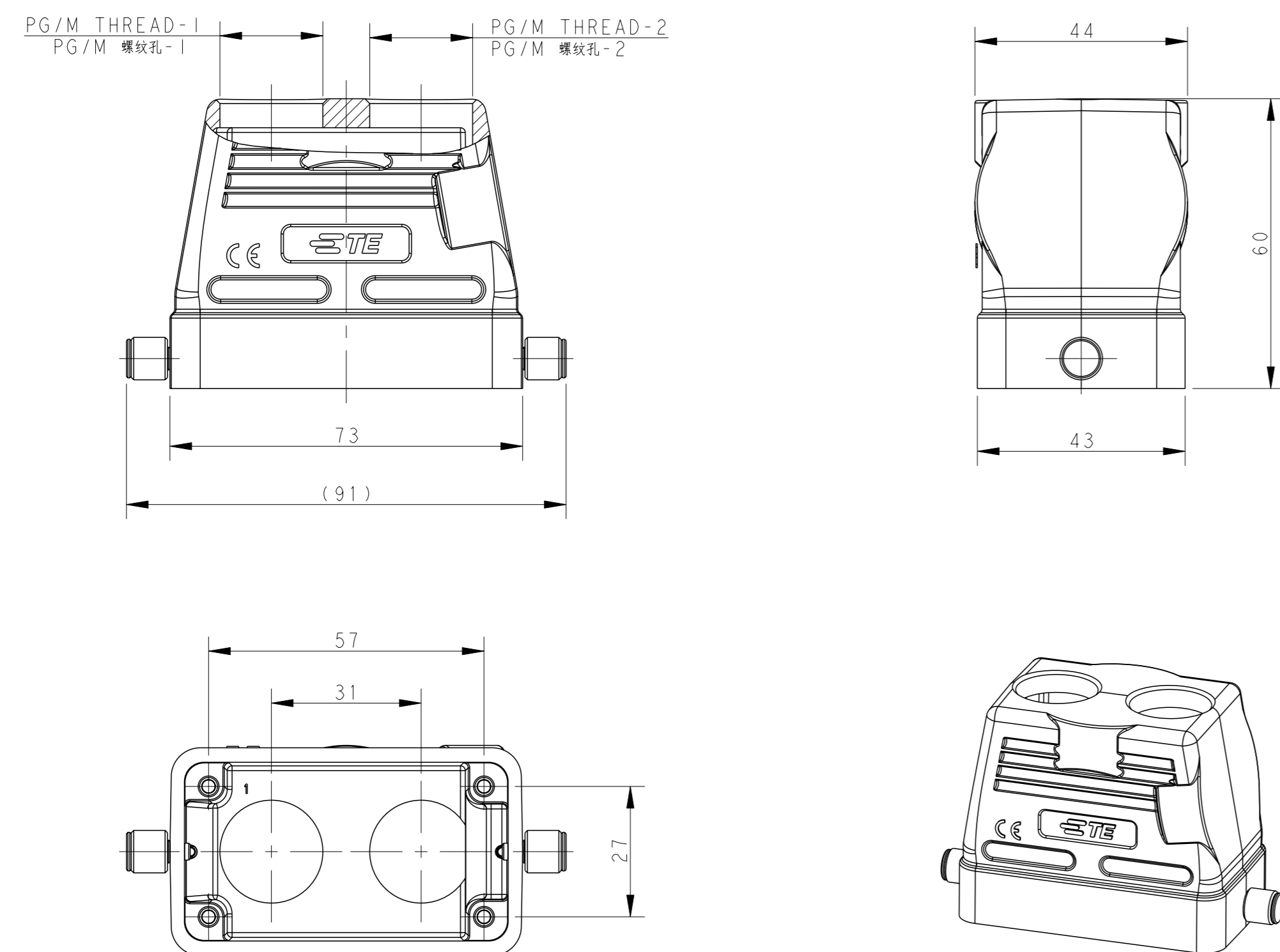
TYPE 1: 1 TOP ENTRY + 1 SIDE ENTRY
 类型 1: 1个顶出+1个侧出



TYPE 2: 2 TOP ENTRY + 1 SIDE ENTRY
 类型 2: 2个顶出+1个侧出



TYPE 3: 2 TOP ENTRY
 类型 3: 2个顶出



NOTES:

- TECHNICAL CHARACTERISTICS:
 HOOD MATERIAL: DIE CAST ALUMINIUM ALLOY
 SURFACE: POWDER COATED, GREY
 DEGREE OF PROTECTION: IP65 (MATED)

注释:
 1. 技术参数:
 外壳材料: 铝合金
 表面处理: 灰色粉末喷涂
 防护等级: IP65(配合)

PART NUMBER 零件料号	PART DESCRIPTION 零件描述	PG/M THREAD-1 PG/M 螺纹孔-1	PG/M THREAD-2 PG/M 螺纹孔-2	PG/M THREAD-3 PG/M 螺纹孔-3	TYPE 类型
T1300100216-000	H10B-TS/G-RO-2PG16 H10B HOOD, SIDE ENTRY PG16, TOP ENTRY PG16, 2 EAR, LOW CONSTRUCTION, POWDER COATED, GREY H10B上壳, 侧出PG16, 顶出PG16, 2耳, 低结构, 灰色粉末喷涂	PG16	-	PG16	TYPE 1 类型1
T1300100313-000	H10B-TG/TS-RO-3PG13.5 H10B HOOD, TOP ENTRY 2PG13.5, SIDE ENTRY PG13.5, 2 EAR, LOW CONSTRUCTION, POWDER COATED, GREY H10B上壳, 顶出2PG13.5, 侧出PG13.5, 2耳, 低结构, 灰色粉末喷涂	PG13.5	PG13.5	PG13.5	TYPE 2 类型2
T1320100216-000	H10B-TG-RO-2PG16 H10B HOOD, TOP ENTRY 2PG16, 2 EAR, LOW CONSTRUCTION, POWDER COATED, GREY H10B上壳, 顶出2PG16, 2耳, 低结构, 灰色粉末喷涂	PG16	PG16	-	TYPE 3 类型3

REVISIONS				
#	LY#	DESCRIPTION	DATE	OWN APVD
A		INITIAL	20SEP2016	BS CW
B		ECR-20-008181	01JUL2020	WOR CW
B1		ECR-21-103925	07JUN2021	WOR CW

THIS DRAWING IS A CONTROLLED DOCUMENT.

DIMENSIONS:	TOLERANCES UNLESS OTHERWISE SPECIFIED:	OWN: BELL SU 20SEP2016	CHK: KYLE ZENG 20SEP2016	APVD: CHRIS WANG 20SEP2016
mm	0 PLC ± 1 PLC ± 2 PLC ± 3 PLC ± 4 PLC ±	PRODUCT SPEC	NAME: H10B-TG/TS-RO-PG/M	SIZE: A1
MATERIAL:	ANGLES FINISH	APPLICATION SPEC	SCALE: 1:1	SHEET 1 OF 1
		RESTRICTED TO	REV: B1	

CUSTOMER DRAWING