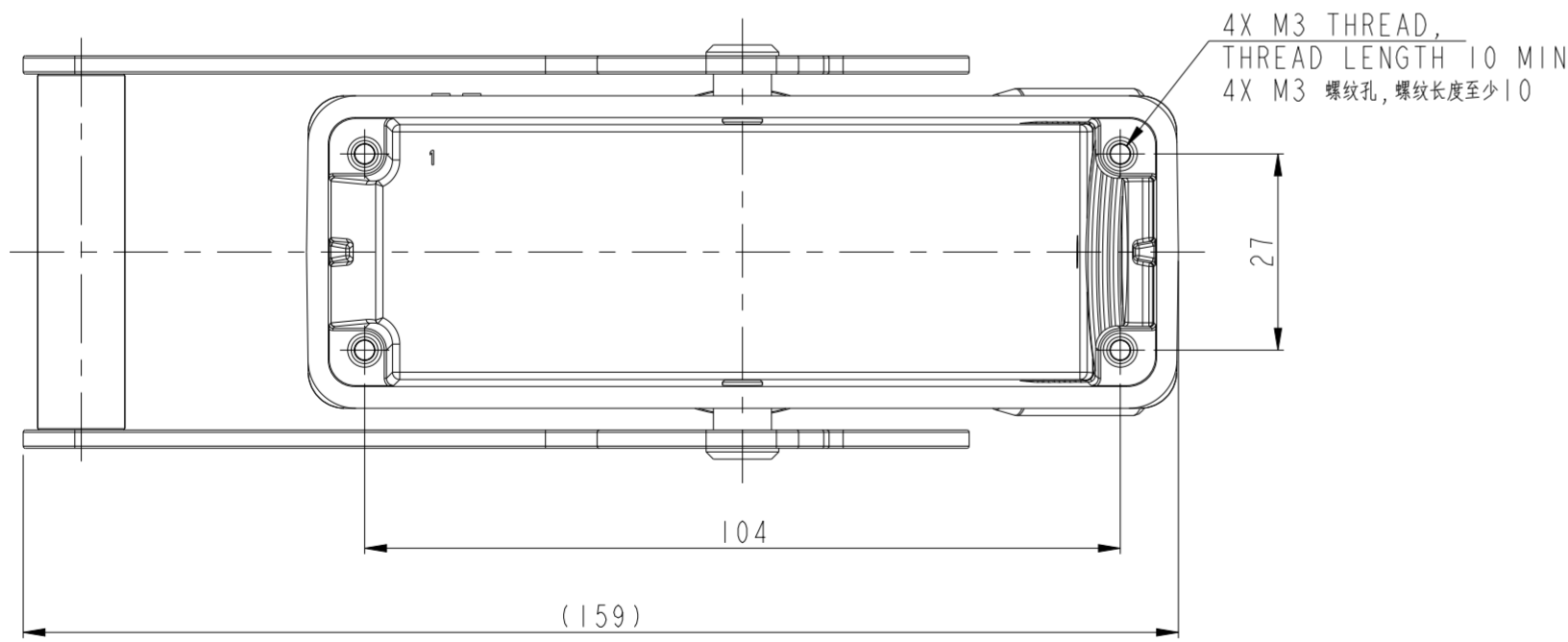
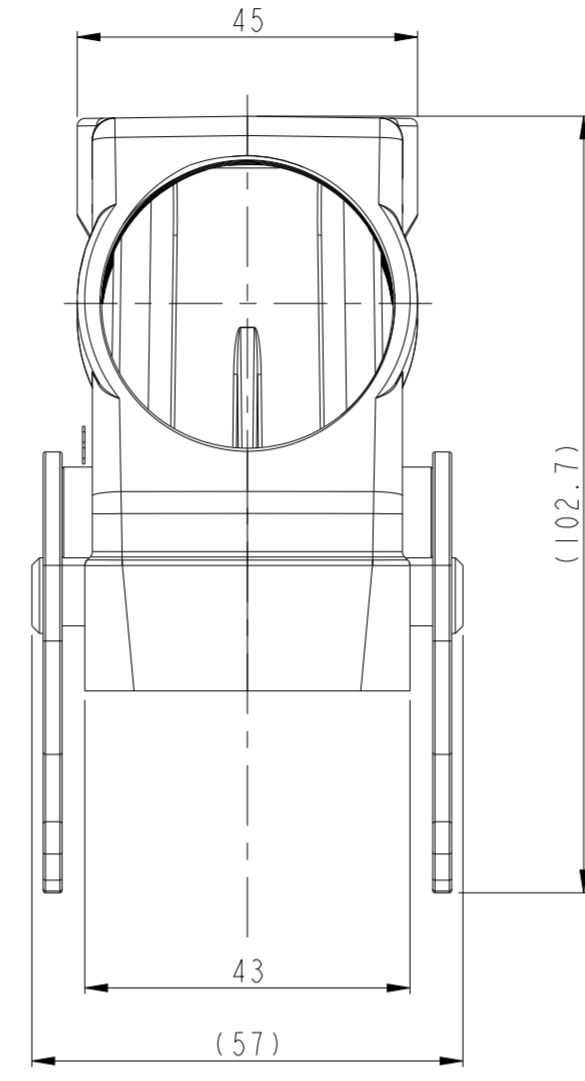
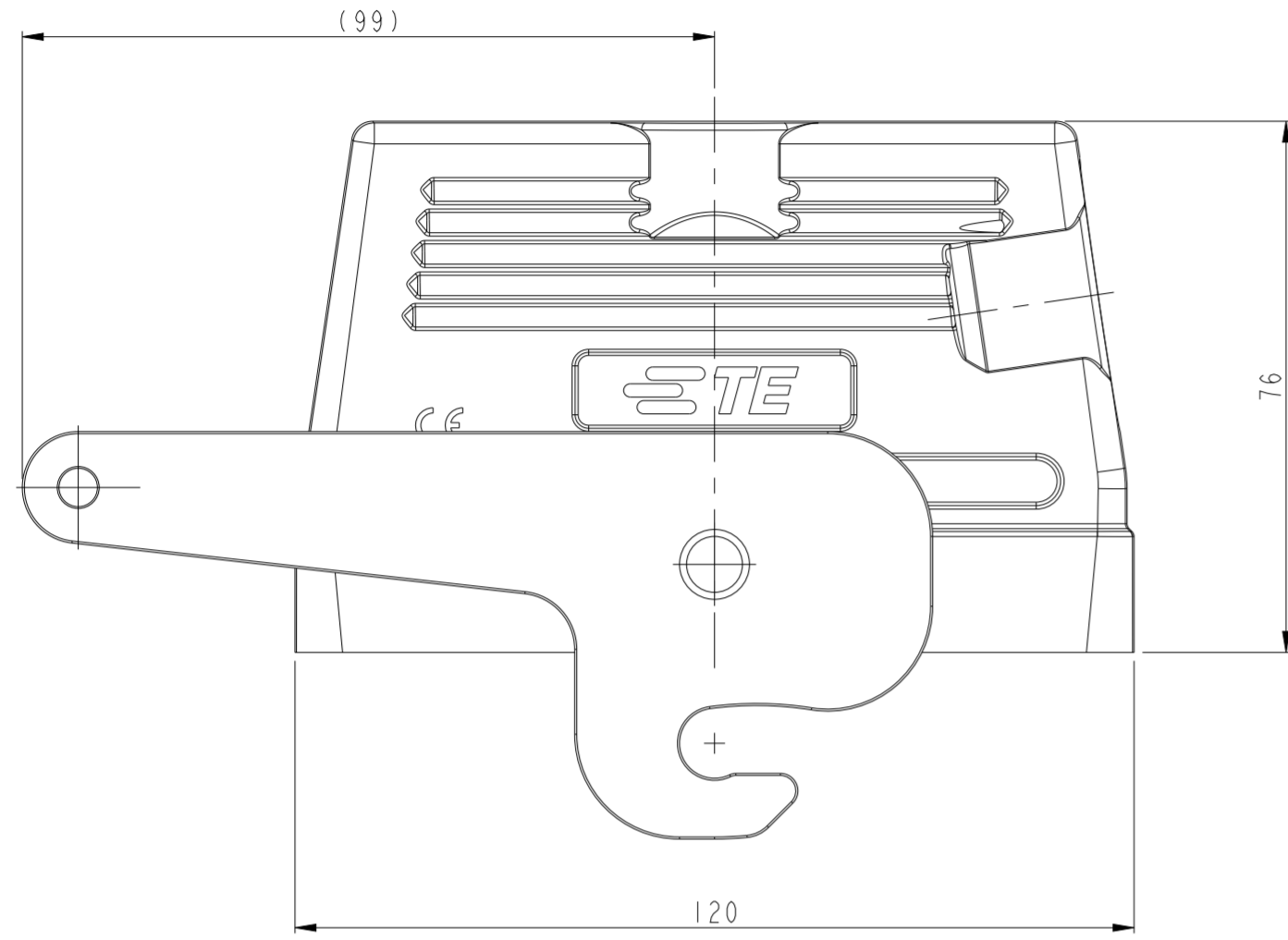


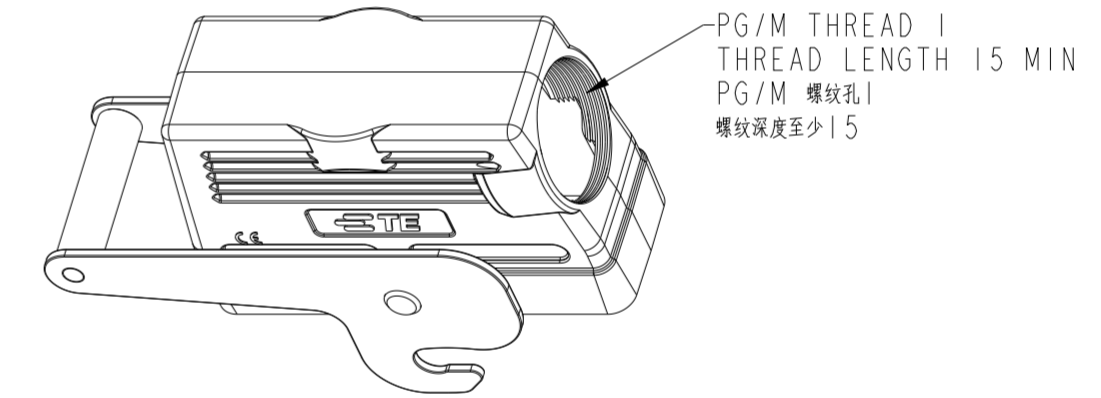
THIS DRAWING IS UNPUBLISHED. RELEASED FOR PUBLICATION 20
 © COPYRIGHT 20 BY - ALL RIGHTS RESERVED.

REVISIONS					
P	LTR	DESCRIPTION	DATE	DWN	APVD
A		INITIAL	07JUN2017	CH	CW
B		ECR-21-108563	02AUG2021	WOR	CW



NOTES:
 1. TECHNICAL CHARACTERISTICS:
 HOOD MATERIAL: DIE CAST ALUMINIUM ALLOY
 SURFACE: POWDER COATED, GREY
 DEGREE OF PROTECTION: IP65 (MATED)

注释:
 1. 技术参数:
 上壳材料: 铝合金
 表面处理: 灰色粉末喷涂
 防护等级: IP65(配合)



SCALE 1:2

PART NUMBER 零件料号	PART DESCRIPTION 零件描述	PG/M THREAD 1 PG/M 螺纹孔1
T1390240140-002	H24B-TSH-RC-M40 H24B HOOD, CENTER LOCKING, SIDE ENTRY M40, POWDER COATED, GREY H24B上壳, 中央锁扣, 侧出M40, 灰色粉末喷涂	M40
T1390240132-002	H24B-TSH-RC-M32 H24B HOOD, CENTER LOCKING, SIDE ENTRY M32, POWDER COATED, GREY H24B上壳, 中央锁扣, 侧出M32, 灰色粉末喷涂	M32
T1390240125-002	H24B-TSH-RC-M25 H24B HOOD, CENTER LOCKING, SIDE ENTRY M25, POWDER COATED, GREY H24B上壳, 中央锁扣, 侧出M25, 灰色粉末喷涂	M25
T1390240129-002	H24B-TSH-RC-PG29 H24B HOOD, CENTER LOCKING, SIDE ENTRY PG29, POWDER COATED, GREY H24B上壳, 中央锁扣, 侧出PG29, 灰色粉末喷涂	PG29
T1390240121-002	H24B-TSH-RC-PG21 H24B HOOD, CENTER LOCKING, SIDE ENTRY PG21, POWDER COATED, GREY H24B上壳, 中央锁扣, 侧出PG21, 灰色粉末喷涂	PG21

THIS DRAWING IS A CONTROLLED DOCUMENT.

DWN CHARLIE HU 06 JUN 2017	 TE Connectivity H24B-TSH-RC-M/PG	
CHK GINO YAO 06 JUN 2017		
APVD CHRIS WANG 06 JUN 2017		
PRODUCT SPEC 108-137013		
DIMENSIONS: mm	TOLERANCES UNLESS OTHERWISE SPECIFIED: 0 PLC ± 1 PLC ± 2 PLC ± 3 PLC ± 4 PLC ± ANGLES ±	NAME H24B-TSH-RC-M/PG
MATERIAL -	FINISH -	SIZE A2
		CAGE CODE -
		DRAWING NO G-T13902401XX002
		RESTRICTED TO -
		SCALE 1:1
		SHEET 1
		OF 1
		REV B
		CUSTOMER DRAWING