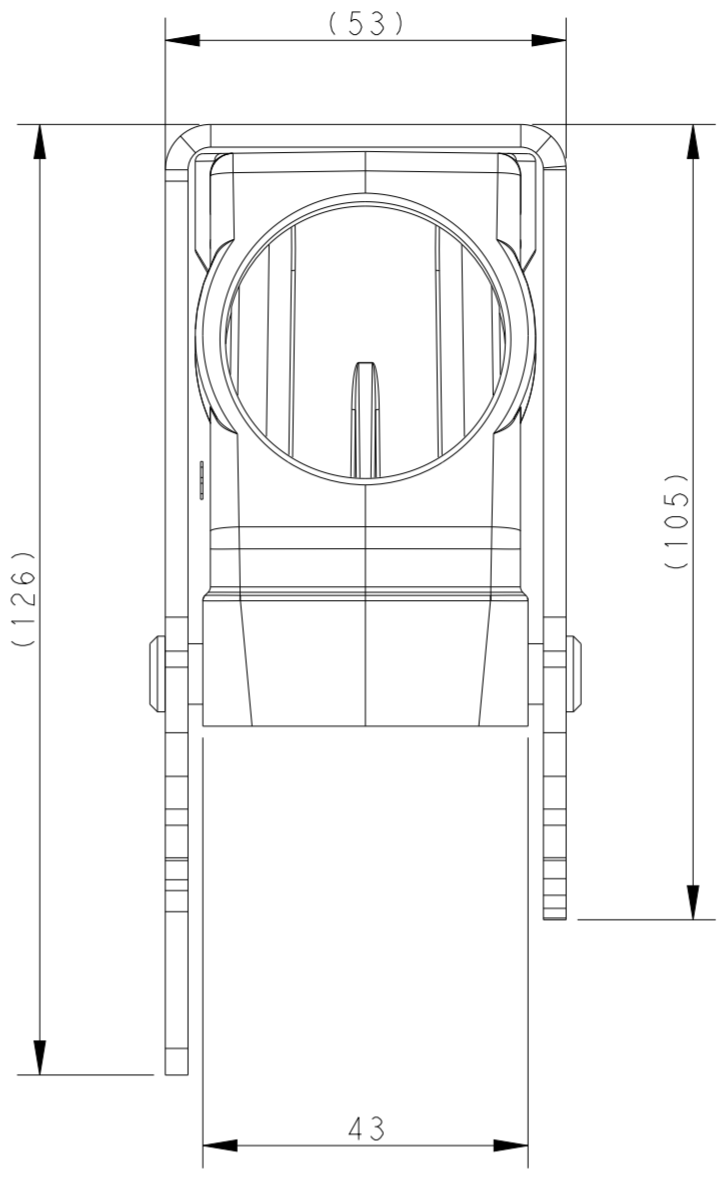
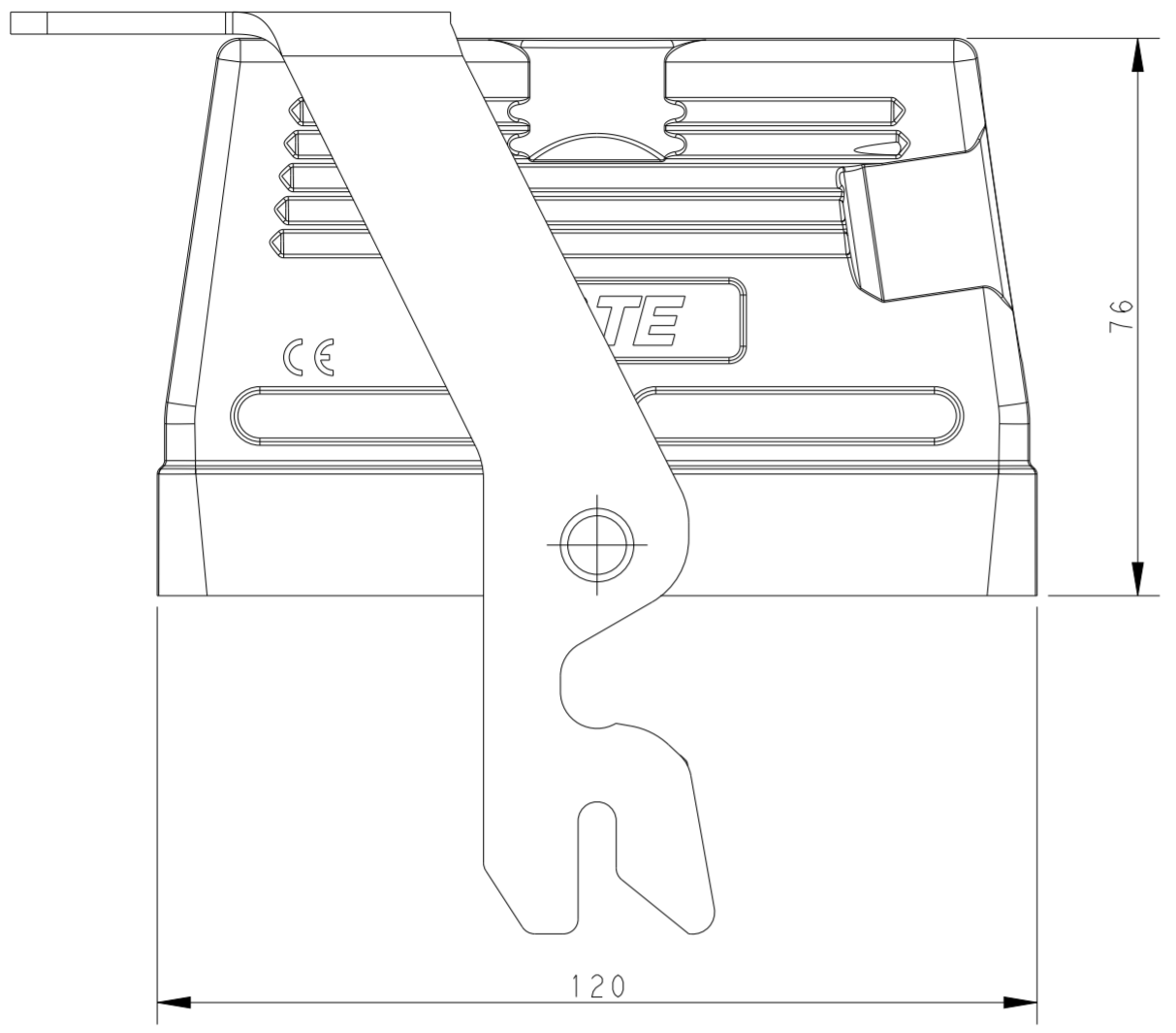


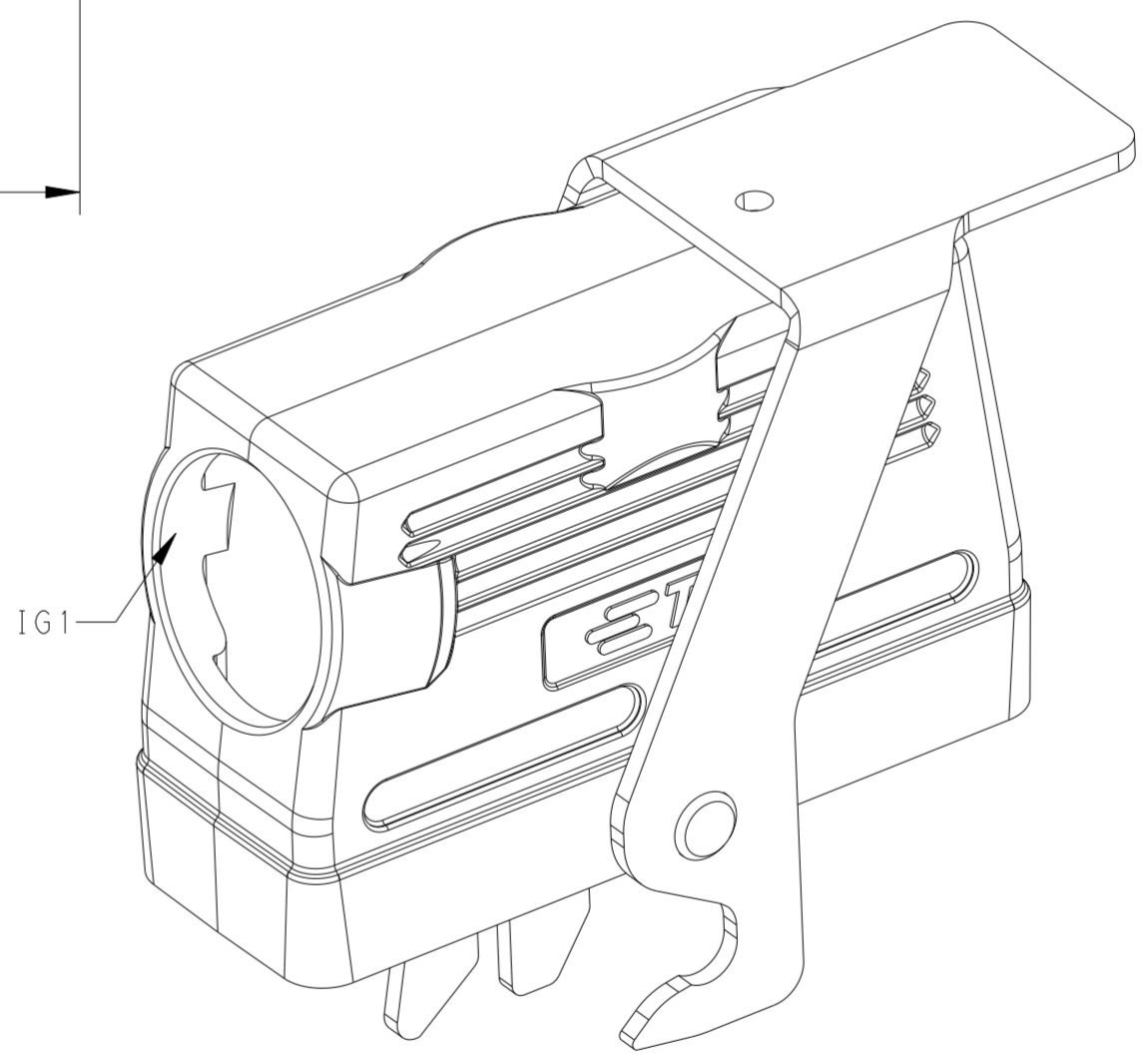
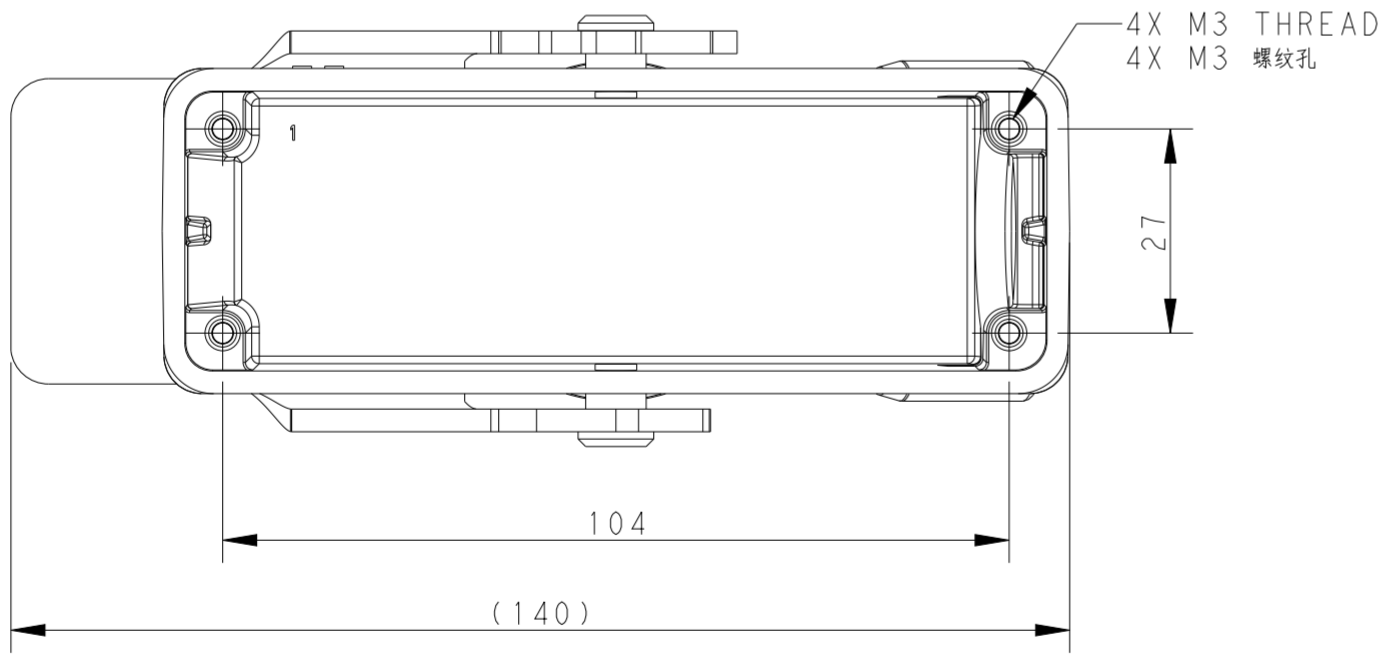
THIS DRAWING IS UNPUBLISHED. RELEASED FOR PUBLICATION 20
 © COPYRIGHT 20 BY - ALL RIGHTS RESERVED.

| REVISIONS | | | | | |
|-----------|-----|---------------|-----------|-----|------|
| P | LTR | DESCRIPTION | DATE | DWN | APVD |
| A | | INITIAL | 25SEP2015 | DW | CW |
| B | | ECR-20-014876 | 16JUL2021 | WOR | CW |



NOTES:
 1. TECHNICAL CHARACTERISTICS:
 HOOD MATERIAL: DIE CAST ALUMINIUM ALLOY
 SURFACE: POWDER COATED, GREY
 DEGREE OF PROTECTION: IP65 (MATED)

注释:
 1. 技术参数:
 上壳材料: 铝合金
 表面处理: 粉末涂层, 灰色
 防护等级: IP65(配合)



| | | |
|-----------------|------------------|------|
| T1390240140-000 | H24B-TSH-RC-M40 | M40 |
| T1390240132-000 | H24B-TSH-RC-M32 | M32 |
| T1390240129-000 | H24B-TSH-RC-PG29 | PG29 |
| PART NUMBER | DESCRIPTION | IG1 |

| | | | | |
|--|--|-----------------------------|---|--|
| THIS DRAWING IS A CONTROLLED DOCUMENT. | | DWN 30JUL2015 David Wang | STE TE Connectivity | |
| | | CHK 30JUL2015 Chris Wang | | |
| DIMENSIONS: mm | | APVD 30JUL2015 Xiang Xu | NAME H24B-TSH-RC-M/PG | |
| TOLERANCES UNLESS OTHERWISE SPECIFIED: | | PRODUCT SPEC | SIZE CAGE CODE DRAWING NO RESTRICTED TO | |
| 0 PLC ± | | 108-137013 | A200779 C-T13902401XX000 | |
| 1 PLC ± | | APPLICATION SPEC | SCALE 1:1 SHEET 1 OF 1 REV B | |
| 2 PLC ± | | 114-137013 | | |
| 3 PLC ± | | WEIGHT - | | |
| 4 PLC ± | | Customer Drawing | | |
| ANGLES ± | | | | |
| FINISH - | | | | |