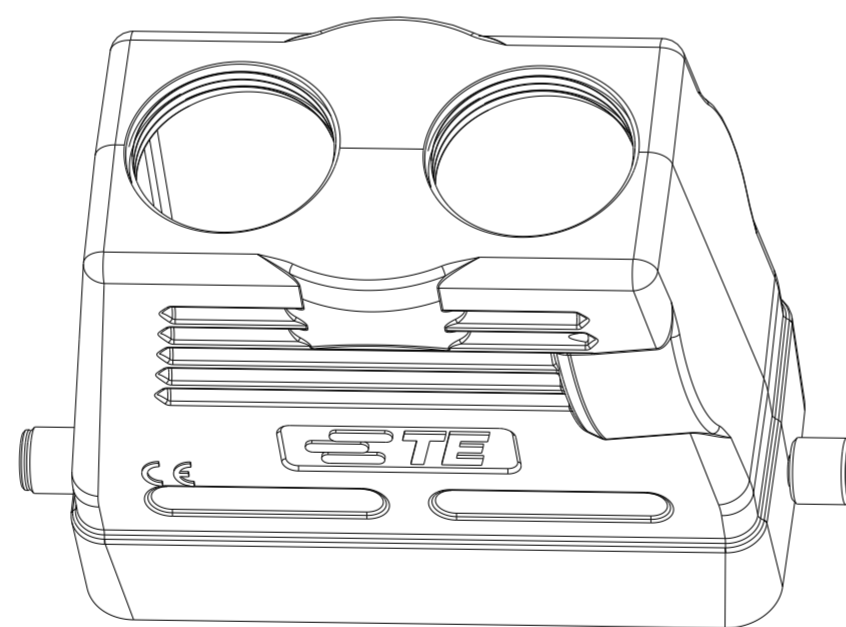
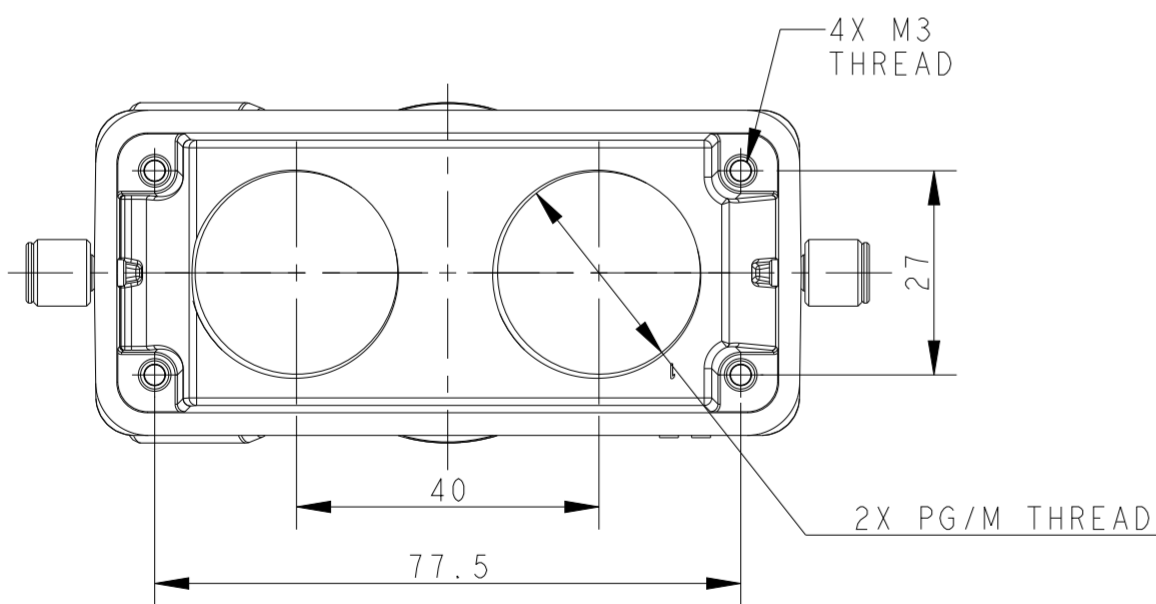
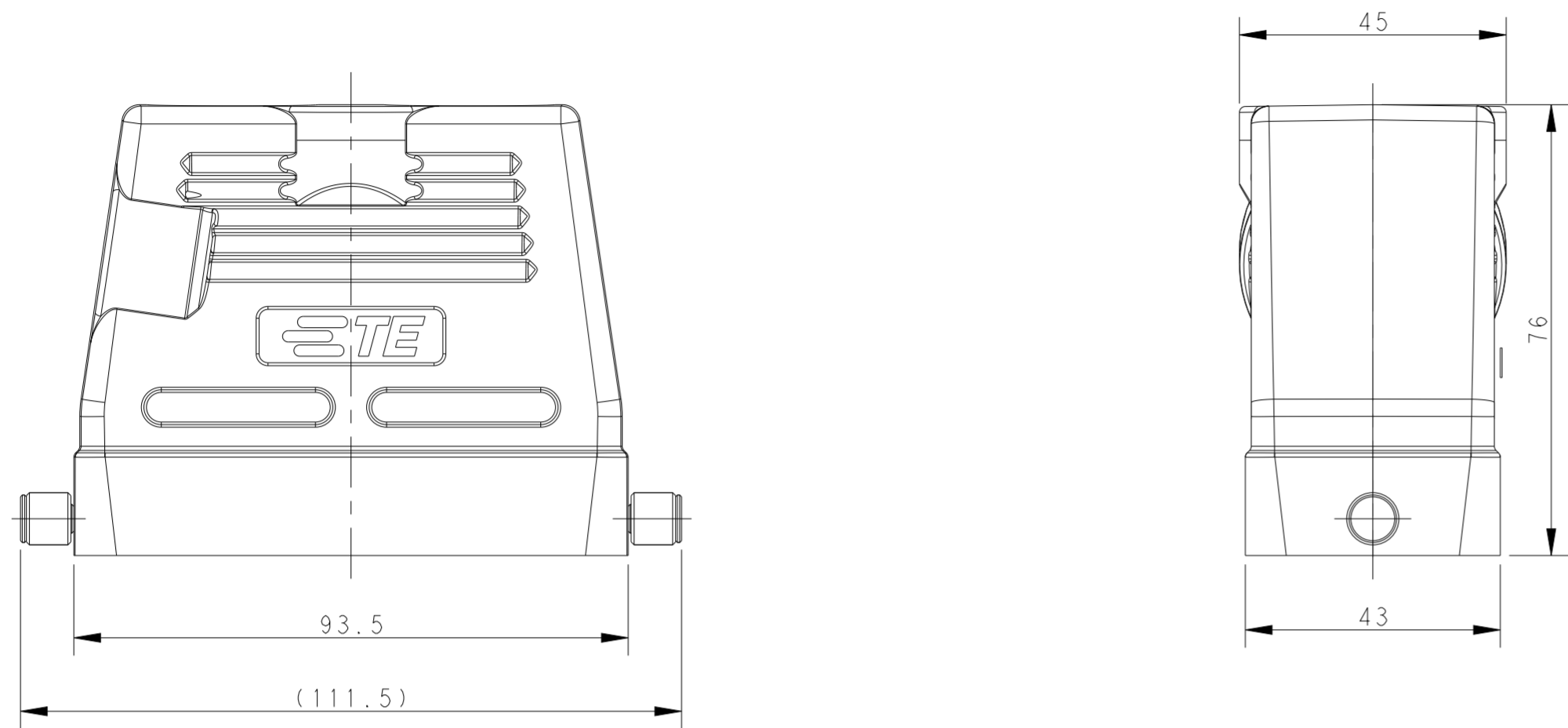


THIS DRAWING IS UNPUBLISHED. RELEASED FOR PUBLICATION 20
 © COPYRIGHT 20 BY - ALL RIGHTS RESERVED.

REVISIONS					
P	LTR	DESCRIPTION	DATE	DWN	APVD
A		INITIAL	25JUN2016	YC	CW
B		ECR-20-008190	21AUG2020	WOR	CW
B1		ECR-21-105138	30JUN2021	WOR	CW

NOTES:
 1. TECHNICAL CHARACTERISTICS:
 HOOD MATERIAL: DIE CAST ALUMINIUM ALLOY
 SURFACE: POWDER COATED, GREY
 DEGREE OF PROTECTION: IP65 (MATED)

注释:
 1. 技术参数:
 上壳材料: 铝合金
 表面处理: 粉末涂层, 灰色
 防护等级: IP65 (配合)



T1340160216-000	H16B-TGH-RO-2PG16	H16B HOOD, 2 TOP ENTRY PG16, 2 EAR, HIGH CONSTRUCTION, POWDER COATED, GREY H16B上壳(双顶出PG16、2耳、高结构、灰色粉末喷涂)	PG16
T1340160221-000	H16B-TGH-RO-2PG21	H16B HOOD, 2 TOP ENTRY PG21, 2 EAR, HIGH CONSTRUCTION, POWDER COATED, GREY H16B上壳(双顶出PG21、2耳、高结构、灰色粉末喷涂)	PG21
T1340160220-000	H16B-TGH-RO-2M20	H16B HOOD, 2 TOP ENTRY M20, 2 EAR, HIGH CONSTRUCTION, POWDER COATED, GREY H16B上壳(双顶出M20、2耳、高结构、灰色粉末喷涂)	M20X1.5
T1340160225-000	H16B-TGH-RO-2M25	H16B HOOD, 2 TOP ENTRY M25, 2 EAR, HIGH CONSTRUCTION, POWDER COATED, GREY H16B上壳(双顶出M25、2耳、高结构、灰色粉末喷涂)	M25X1.5
ASSEMBLY PART NUMBER 成品料号	ASSEMBLY PART DESCRIPTION 成品描述		THREAD PG/M

THIS DRAWING IS A CONTROLLED DOCUMENT.		DWN YORK CHEN 25JUN2016	TE Connectivity	
DIMENSIONS: mm		CHK KYLE ZENG 25JUN2016		
TOLERANCES UNLESS OTHERWISE SPECIFIED:		APVD CHRIS WANG 25JUN2016	NAME H16B-TGH-RO-2PG/M	
		PRODUCT SPEC 108-137013	RESTRICTED TO	
MATERIAL		APPLICATION SPEC 114-137013	SIZE A2	CAGE CODE 00779
		WEIGHT	DRAWING NO C-T13401602XX000	
		CUSTOMER DRAWING	SCALE 1:1	SHEET 1 OF 1
			REV B1	