

REVISIONS

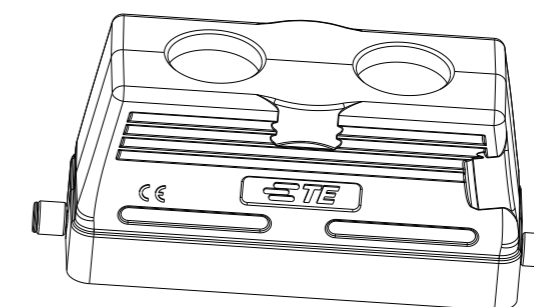
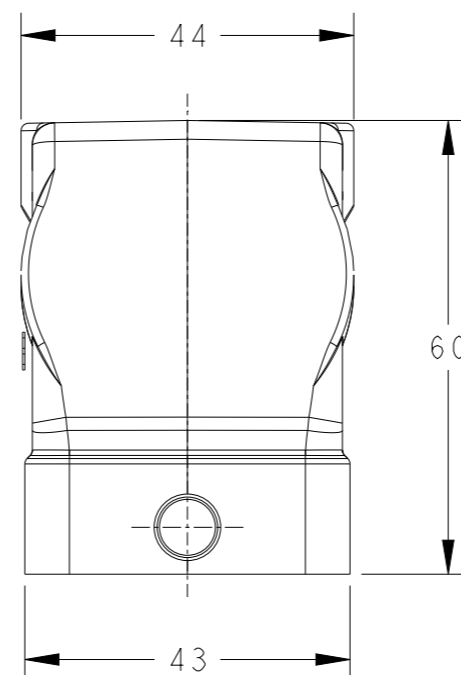
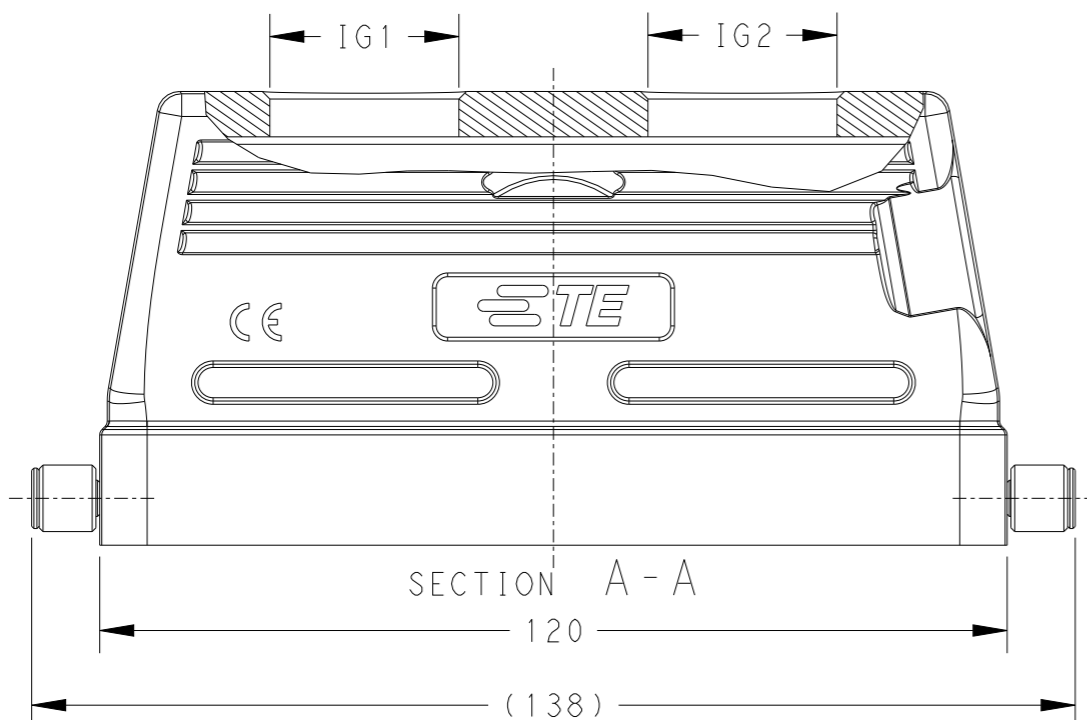
P	LTR	DESCRIPTION	DATE	DWN	APVD
	A	INITIAL	04JUN2015	DW	CW
	B	ECR-20-014876	20NOV2020	WQR	CW

NOTES:

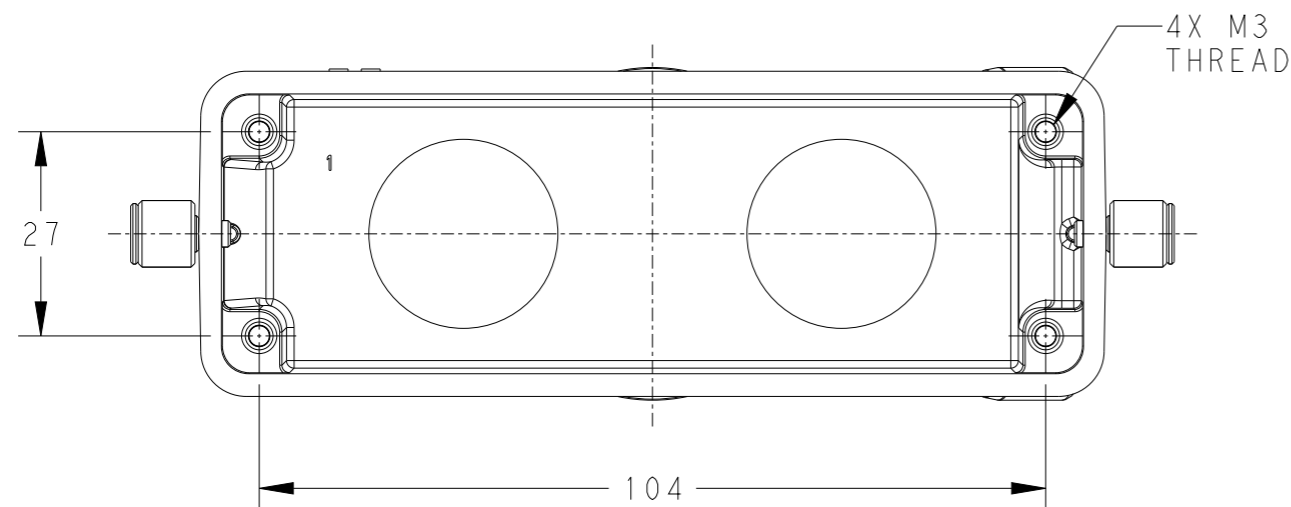
- 1. TECHNICAL CHARACTERISTICS:
HOOD MATERIAL: DIE CAST ALUMINIUM ALLOY
SURFACE: POWDER COATED, GREY
DEGREE OF PROTECTION: IP65 (MATED)

注释:


- 1. 技术参数:
上壳材料: 铝合金
表面处理: 粉末涂层, 灰色
防护等级: IP65(配合)



SCALE 1:2



T1320240225-000	H24B-TG-RO-2M25	M25	M25
PART NUMBER	DESCRIPTION	IG1	IG2

THIS DRAWING IS A CONTROLLED DOCUMENT.		DWN 04JUN2015 David Wang	 TE Connectivity NAME H24B-TG-RO-2M25					
DIMENSIONS: mm		CHK 04JUN2015 Chris Wang						
TOLERANCES UNLESS OTHERWISE SPECIFIED:		APVD 04JUN2015 Xiang Xu						
0 PLC ±- 1 PLC ±- 2 PLC ±- 3 PLC ±- 4 PLC ±- ANGLES ±-		PRODUCT SPEC 108-137013						
MATERIAL -		FINISH -	APPLICATION SPEC 114-137013	SIZE A3	CAGE CODE 00779	DRAWING NO. T1320240225000	RESTRICTED TO -	
-		-	WEIGHT -	Customer Drawing		SCALE 1:1	SHEET 1 OF 1	REV B