

THIS DRAWING IS UNPUBLISHED.

RELEASED FOR PUBLICATION

20

© COPYRIGHT 20 BY -

ALL RIGHTS RESERVED.

REVISIONS

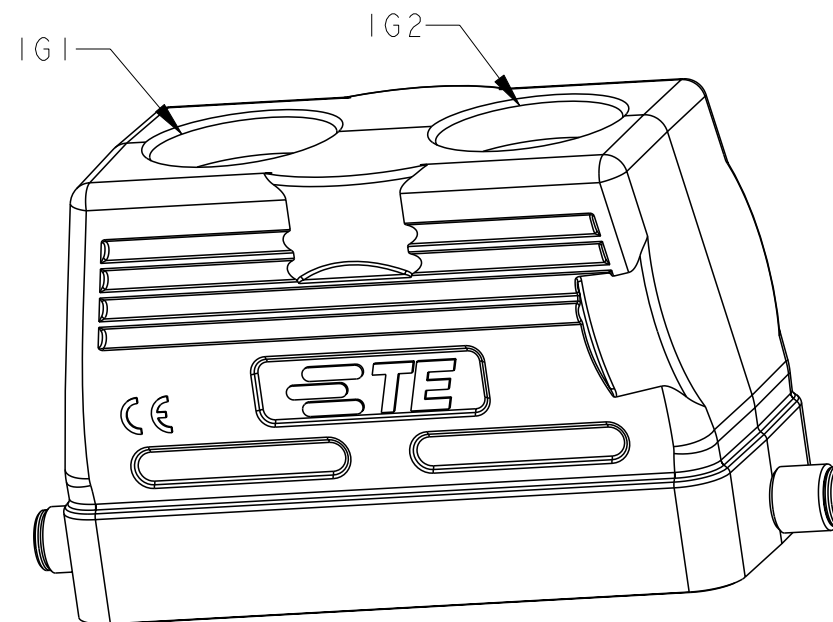
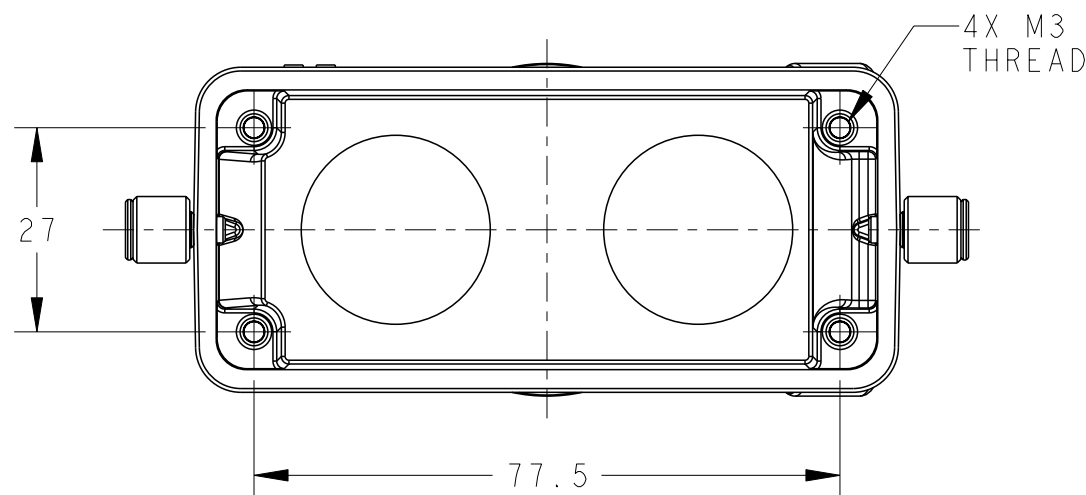
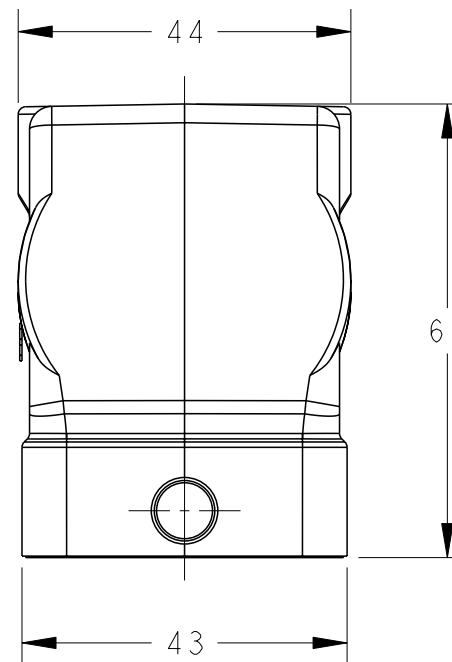
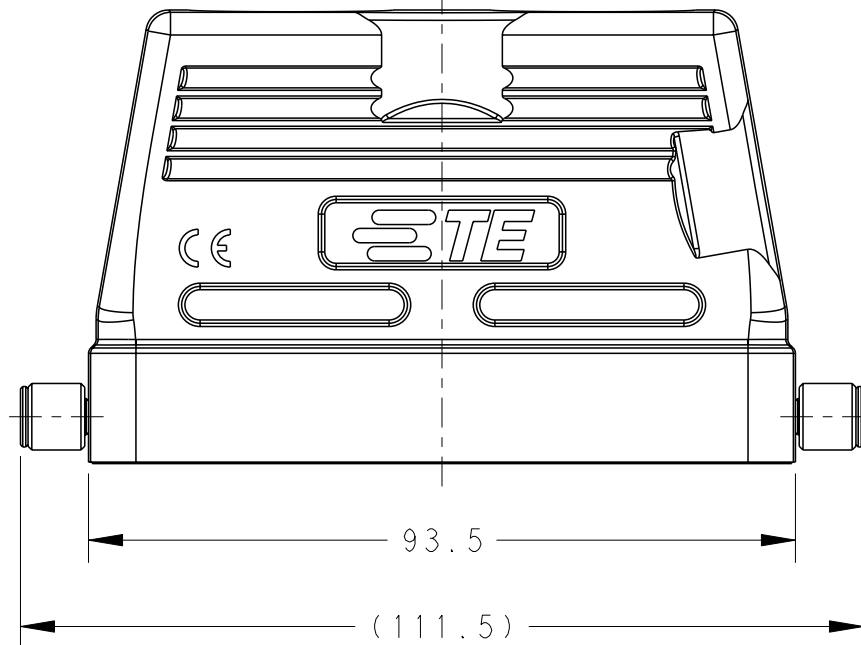
P	LTR	DESCRIPTION	DATE	DWN	APVD
	A	INITIAL	25MAY2015	DW	CW
	B	ECR-20-008190	21AUG2020	WQR	CW
	B1	ECR-21-105138	30JUN2021	WQR	CW

NOTES:

- 1. TECHNICAL CHARACTERISTICS:
HOOD MATERIAL: DIE CAST ALUMINIUM ALLOY
SURFACE: POWDER COATED, GREY
DEGREE OF PROTECTION: IP65 (MATED)

注释:

- 1. 技术参数:
上壳材料: 铝合金
表面处理: 粉末涂层, 灰色
防护等级: IP65(配合)



T1320160225-000	H16B-TG-RO-2M25	M25	M25
PART NUMBER	DESCRIPTION	IG1	IG2

THIS DRAWING IS A CONTROLLED DOCUMENT.		DWN 25MAY2015 David Wang	STE TE Connectivity	
DIMENSIONS: mm		CHK 25MAY2015 Chris Wang		
TOLERANCES UNLESS OTHERWISE SPECIFIED:		APVD 25MAY2015 Xiang Xu	NAME H16B-TG-RO-2M25	
0 PLC ±-		PRODUCT SPEC	108-137013	
1 PLC ±-		APPLICATION SPEC	114-137013	
2 PLC ±-		WEIGHT	-	
3 PLC ±-		SIZE	A300779	
4 PLC ±-		CAGE CODE	G-T1320160225000	
ANGLES ±-		DRAWING NO	-	
FINISH		RESTRICTED TO	-	
MATERIAL		SCALE	1:1	
-		SHEET	1 OF 1	
-		REV	B1	
Customer Drawing				

printed on 2 Jul 2021 11:13 (China Standard Time) from TE343646