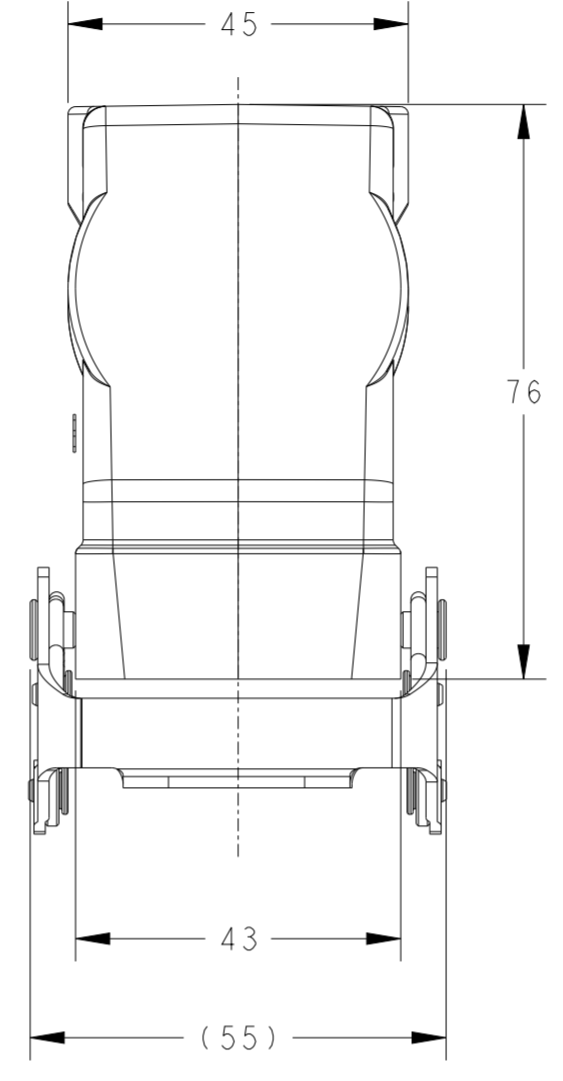
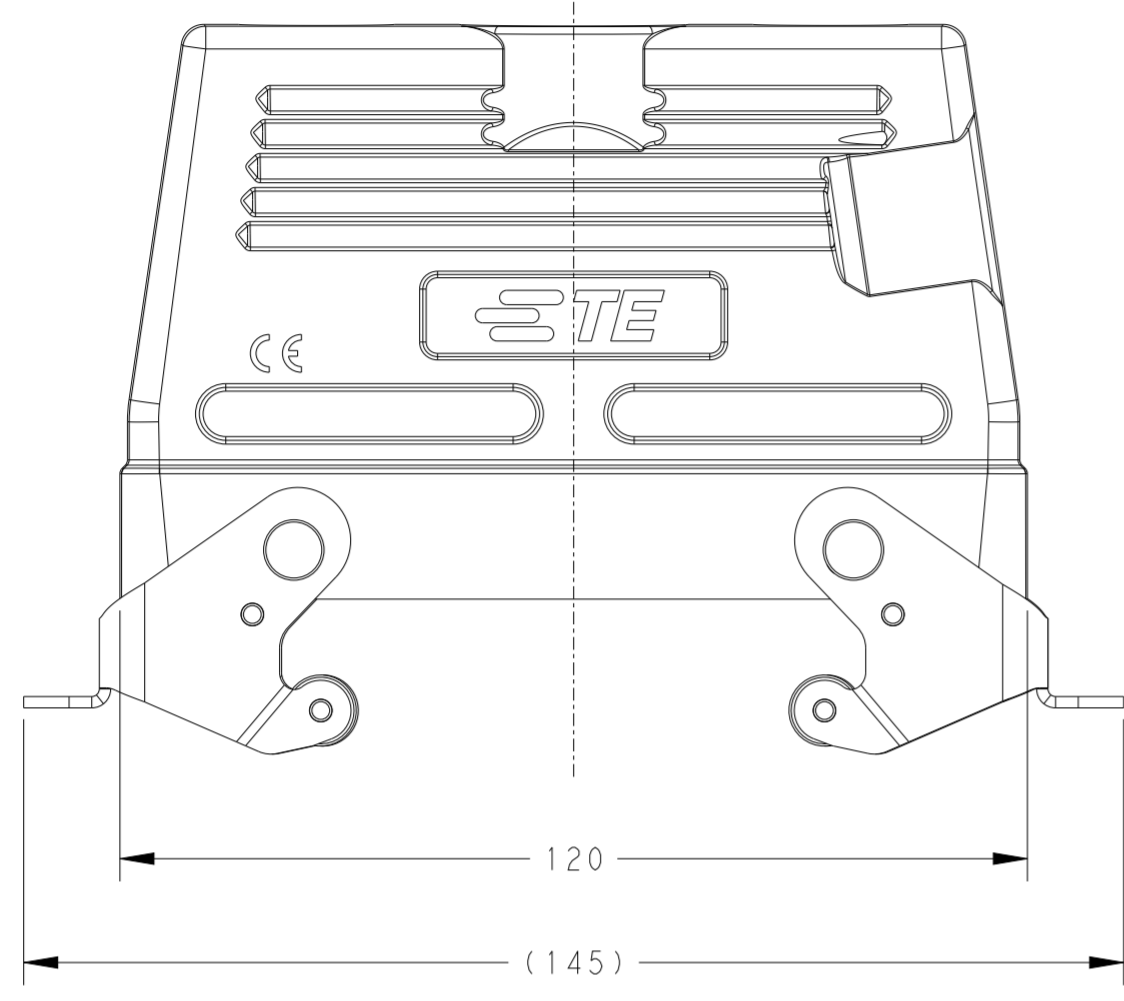


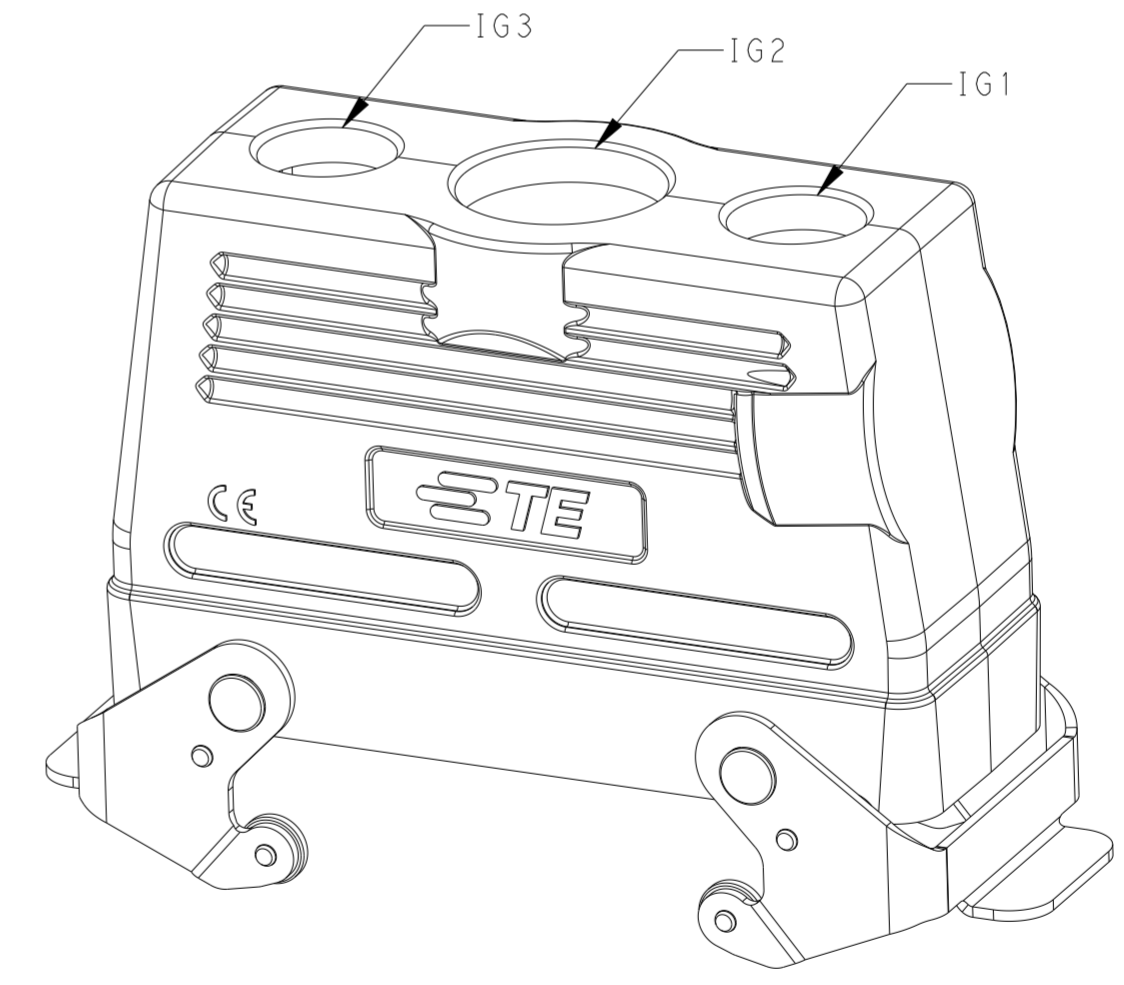
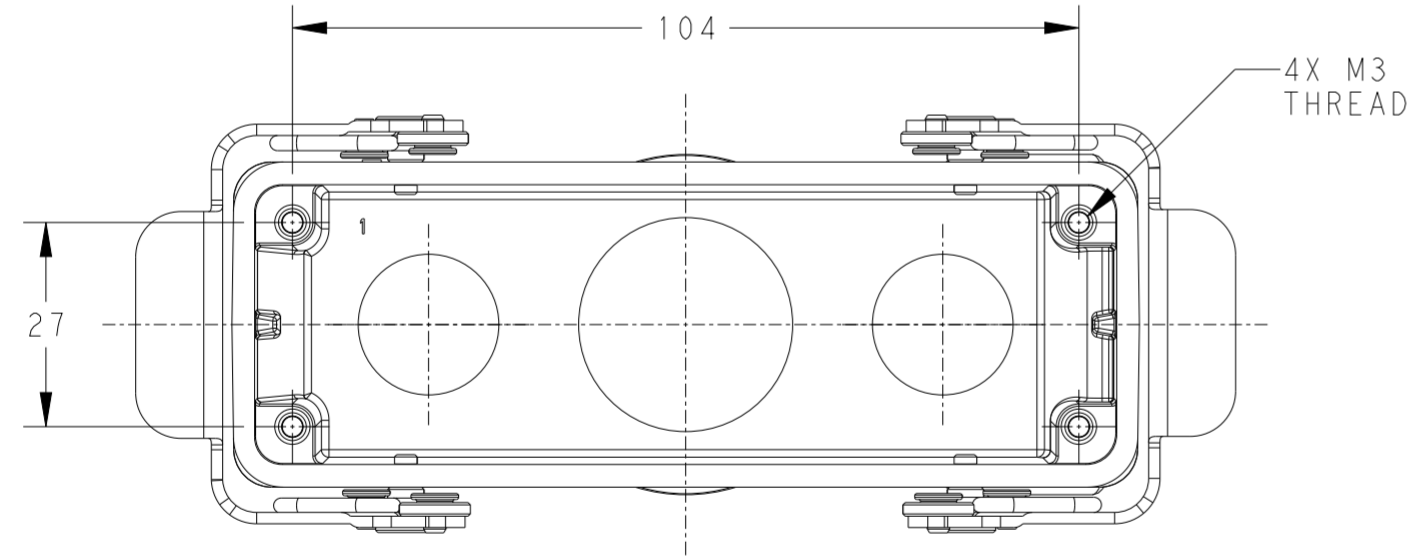
THIS DRAWING IS UNPUBLISHED. RELEASED FOR PUBLICATION 20
 © COPYRIGHT 20 BY - ALL RIGHTS RESERVED.

REVISIONS					
P	LTR	DESCRIPTION	DATE	DWN	APVD
A		INITIAL	09JUN2015	DW	CW
B		ECR-20-014876	11NOV2020	WOR	CW



NOTES:
 1. TECHNICAL CHARACTERISTICS:
 HOOD MATERIAL: DIE CAST ALUMINIUM ALLOY
 SURFACE: POWDER COATED, GREY
 DEGREE OF PROTECTION: IP65 (MATED)

注释:
 1. 技术参数:
 上壳材料: 铝合金
 表面处理: 粉末涂层, 灰色
 防护等级: IP65(配合)



T1280241121-000	H24B-TGBHS-PG21/2PG11	HIGH CONSTRUCTION	PG11	PG21	PG11											
PART NUMBER	DESCRIPTION	TYPE	IG1	IG2	IG3											
THIS DRAWING IS A CONTROLLED DOCUMENT.		DWN 09JUN2015 David Wang	TE Connectivity													
DIMENSIONS: mm		CHK 09JUN2015 Chris Wang														
TOLERANCES UNLESS OTHERWISE SPECIFIED:		APVD 09JUN2015 Xiang Xu														
<table border="0"> <tr><td>0 PLC</td><td>±</td></tr> <tr><td>1 PLC</td><td>±</td></tr> <tr><td>2 PLC</td><td>±</td></tr> <tr><td>3 PLC</td><td>±</td></tr> <tr><td>4 PLC</td><td>±</td></tr> <tr><td>ANGLES</td><td>±</td></tr> <tr><td>FINISH</td><td>±</td></tr> </table>		0 PLC				±	1 PLC	±	2 PLC	±	3 PLC	±	4 PLC	±	ANGLES	±
0 PLC	±															
1 PLC	±															
2 PLC	±															
3 PLC	±															
4 PLC	±															
ANGLES	±															
FINISH	±															
MATERIAL	-	PRODUCT SPEC 108-137013	SIZE	CAGE CODE	DRAWING NO	RESTRICTED TO										
-	-	APPLICATION SPEC 114-137013	A2	00779	C-T1280241121000	-										
-	-	WEIGHT	SCALE	SHEET	OF	REV										
-	-	Customer Drawing	1:1	1	1	B										