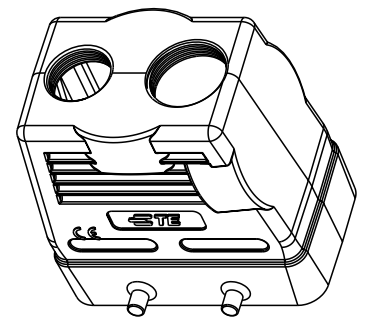
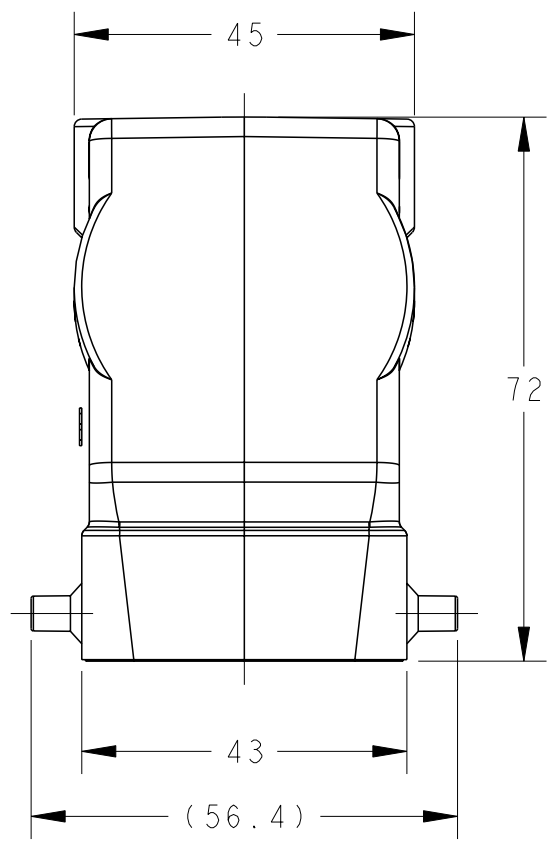
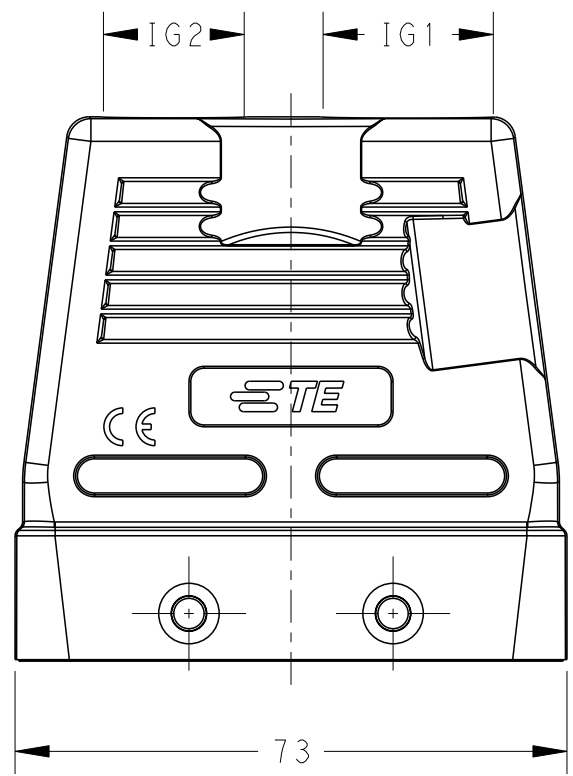


THIS DRAWING IS UNPUBLISHED. RELEASED FOR PUBLICATION 20
 © COPYRIGHT 20 BY - ALL RIGHTS RESERVED.

REVISIONS					
P	LTR	DESCRIPTION	DATE	DWN	APVD
	A	INITIAL	12JUN2015	DW	CW
	B	ECR-20-008181	30JUN2020	WQR	CW
	B1	ECR-21-103925	01JUN2021	WQR	CW

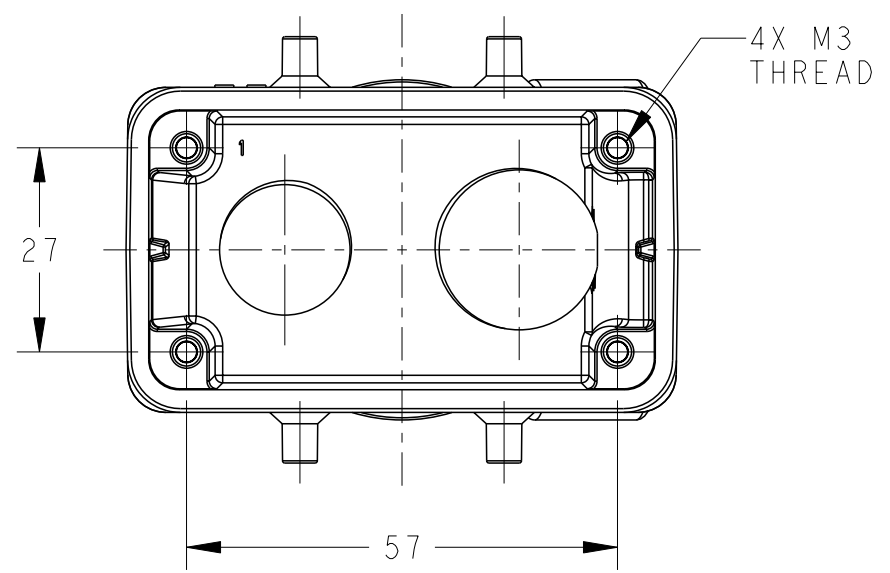


SCALE 1:2




NOTES:
 1. TECHNICAL CHARACTERISTICS:
 HOOD MATERIAL: DIE CAST ALUMINIUM ALLOY
 SURFACE: POWDER COATED, GREY
 DEGREE OF PROTECTION: IP65 (MATED)

注释:
 1. 技术参数:
 上壳材料: 铝合金
 表面处理: 粉末涂层, 灰色
 防护等级: IP65(配合)



T1240101116-000	H10B-TGH-PG16+PG11	PG16	PG11
PART NUMBER	DESCRIPTION	IG1	IG2

THIS DRAWING IS A CONTROLLED DOCUMENT.	
DIMENSIONS: mm	TOLERANCES UNLESS OTHERWISE SPECIFIED: 0 PLC ±- 1 PLC ±- 2 PLC ±- 3 PLC ±- 4 PLC ±- ANGLES ±-
MATERIAL	FINISH

DWN David Wang 12JUN2015	 TE Connectivity NAME H10B-TGH-PG16+PG11			
CHK Chris Wang 12JUN2015				
APVD Xiang Xu 12JUN2015				
PRODUCT SPEC 108-137013				
APPLICATION SPEC 114-137013	RESTRICTED TO			
WEIGHT	SIZE A3	CAGE CODE 00779	DRAWING NO T1240101116000	RESTRICTED TO
Customer Drawing	SCALE 1:1	SHEET 1 OF 1	REV B1	

printed on 17 Jun 2021 10:29 (China Standard Time) from TE343646