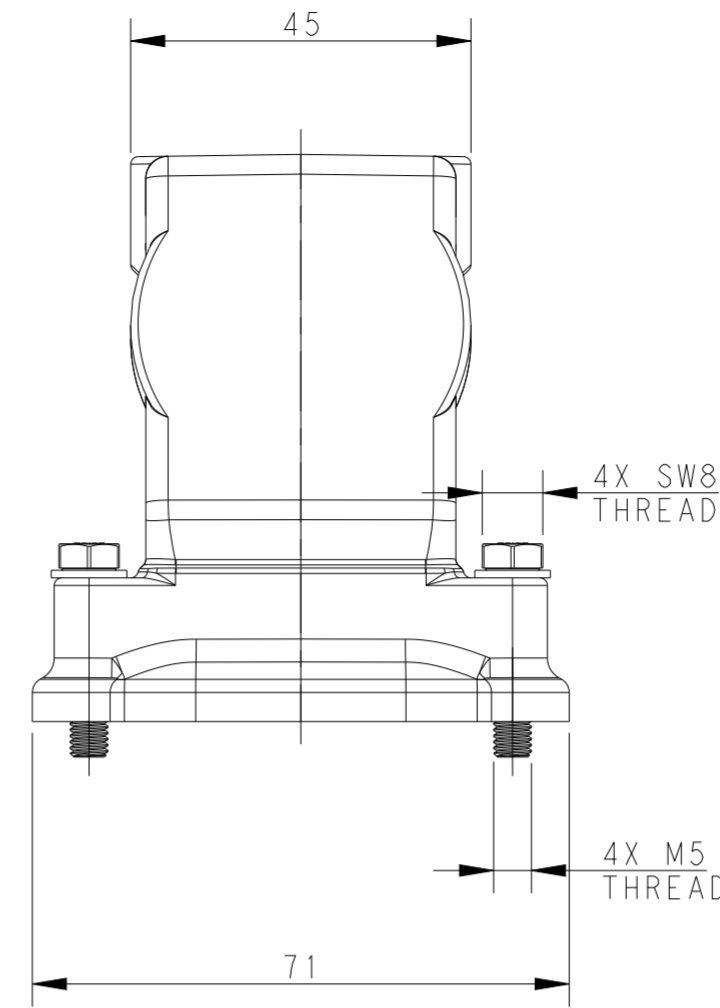
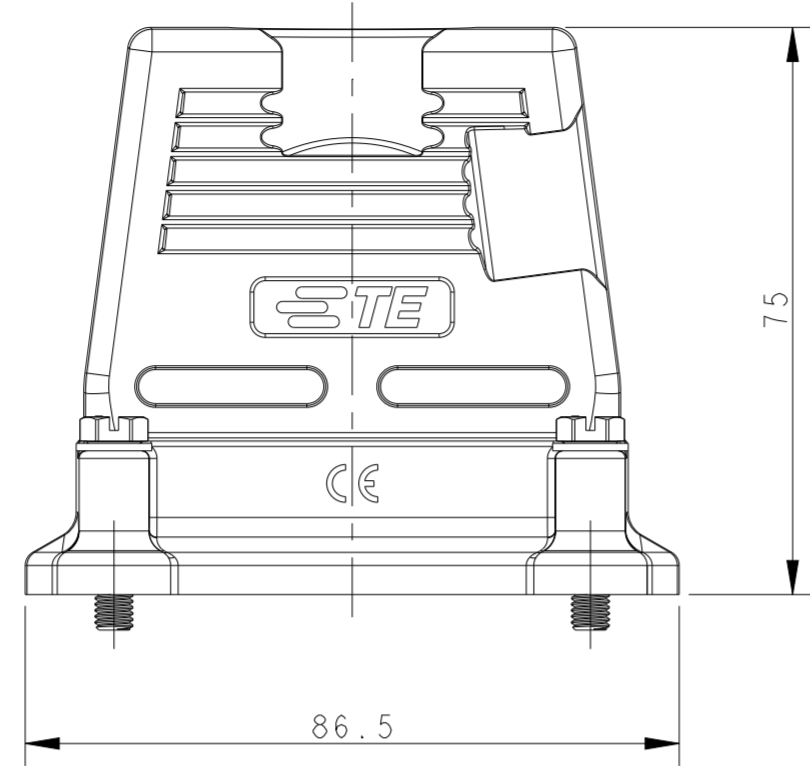
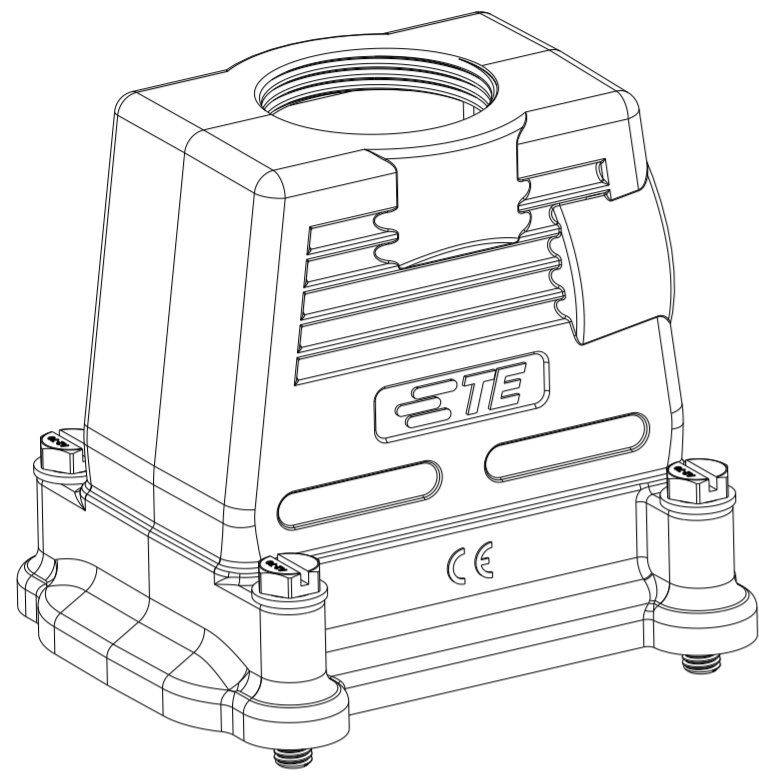


THIS DRAWING IS UNPUBLISHED. RELEASED FOR PUBLICATION
 © COPYRIGHT copyright.dBTe ALL RIGHTS RESERVED.

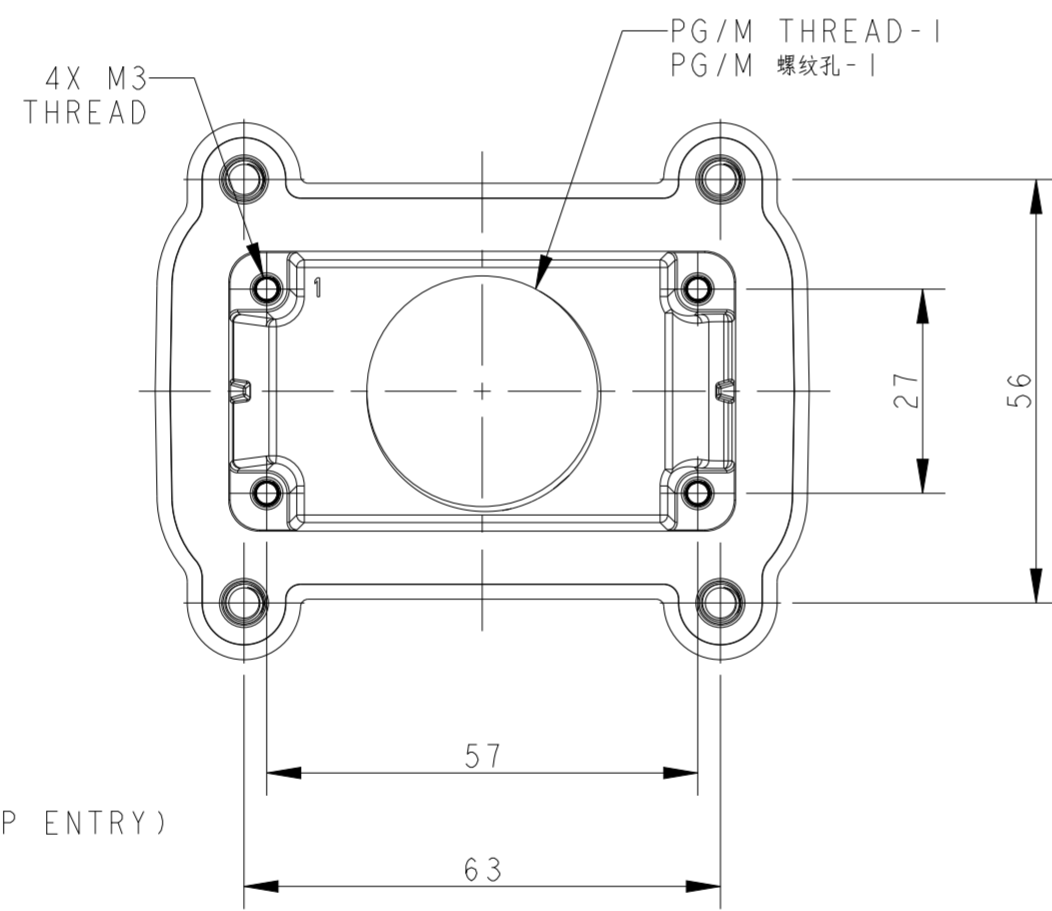
REVISIONS					
P	LTR	DESCRIPTION	DATE	DWN	APVD
A		INITIAL	21JUN2016	RL	CW
B		ECR-20-014388	25NOV2020	WOR	CW

TYPE 1: H10B HOOD, TOP ENTRY, EMC,
 HIGH CONSTRUCTION, SCREW CONNECTION
 类型1: H10B带屏蔽上壳(顶出、高结构、螺丝连接)

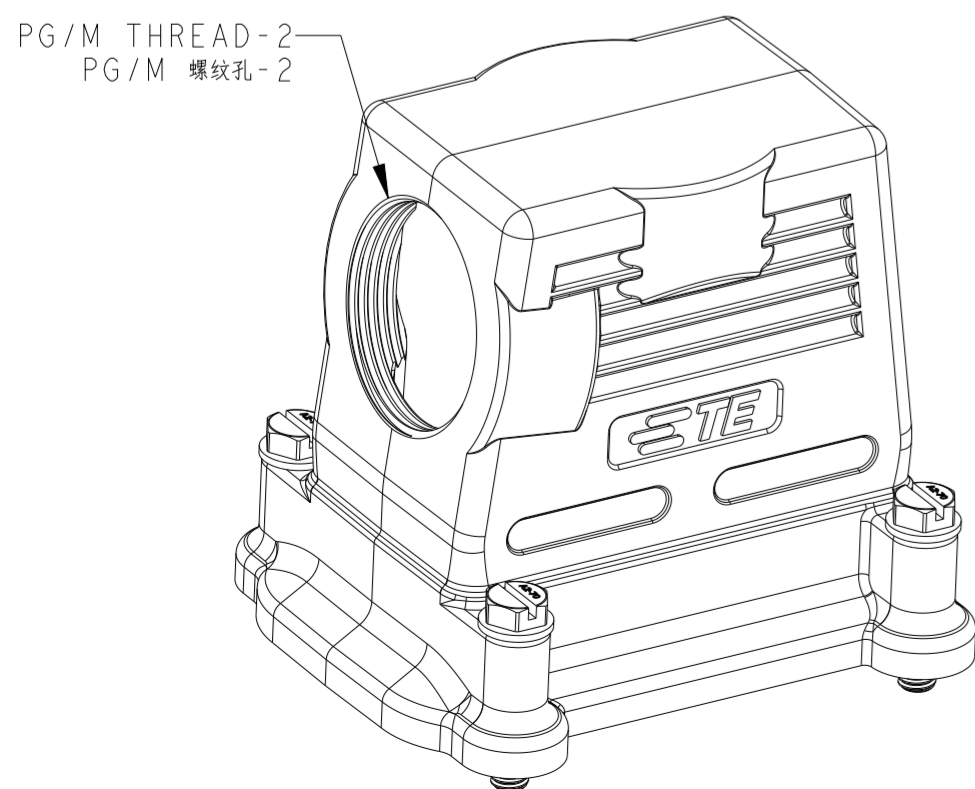


NOTES:
 1. TECHNICAL CHARACTERISTICS:
 HOOD MATERIAL: DIE CAST ALUMINIUM ALLOY
 SURFACE: CONDUCTIVE PAINTING
 DEGREE OF PROTECTION: IP67 (MATED)

注释:
 1. 技术参数:
 上壳材料: 铝合金
 表面处理: 喷导电漆
 防护等级: IP67(配合)



TYPE 2: H10B HOOD, SIDE ENTRY, EMC,
 HIGH CONSTRUCTION, SCREW CONNECTION
 THE OTHER DIMENSIONS THE SAME AS TO TYPE 1(TOP ENTRY)
 类型2: H10B带屏蔽上壳(侧出、高结构、螺丝连接)
 其他尺寸与类型1(顶出)相同



T1120105121-000	H10B-TSH-EMCS-PG21	H10B HOOD, SIDE ENTRY PG21, EMC, HIGH CONSTRUCTION, SCREW TYPE H10B带屏蔽上壳(侧出PG21、高结构、螺丝连接)	PG21	TYPE-2: SIDE ENTRY 类型-2: 侧出	
T1120105129-000	H10B-TSH-EMCS-PG29	H10B HOOD, SIDE ENTRY PG29, EMC, HIGH CONSTRUCTION, SCREW TYPE H10B带屏蔽上壳(侧出PG29、高结构、螺丝连接)	PG29		
T1120105120-000	H10B-TSH-EMCS-M20	H10B HOOD, SIDE ENTRY M20, EMC, HIGH CONSTRUCTION, SCREW TYPE H10B带屏蔽上壳(侧出M20、高结构、螺丝连接)	M20		
T1120105125-000	H10B-TSH-EMCS-M25	H10B HOOD, SIDE ENTRY M25, EMC, HIGH CONSTRUCTION, SCREW TYPE H10B带屏蔽上壳(侧出M25、高结构、螺丝连接)	M25		
T1120105132-000	H10B-TSH-EMCS-M32	H10B HOOD, SIDE ENTRY M32, EMC, HIGH CONSTRUCTION, SCREW TYPE H10B带屏蔽上壳(侧出M32、高结构、螺丝连接)	M32		
T1120105140-000	H10B-TSH-EMCS-M40	H10B HOOD, SIDE ENTRY M40, EMC, HIGH CONSTRUCTION, SCREW TYPE H10B带屏蔽上壳(侧出M40、高结构、螺丝连接)	M40		
T1130105121-000	H10B-TGH-EMCS-PG21	H10B HOOD, TOP ENTRY PG21, EMC, HIGH CONSTRUCTION, SCREW TYPE H10B带屏蔽上壳(顶出PG21、高结构、螺丝连接)	PG21	TYPE-1: TOP ENTRY 类型-1: 顶出	
T1130105129-000	H10B-TGH-EMCS-PG29	H10B HOOD, TOP ENTRY PG29, EMC, HIGH CONSTRUCTION, SCREW TYPE H10B带屏蔽上壳(顶出PG29、高结构、螺丝连接)	PG29		
T1130105120-000	H10B-TGH-EMCS-M20	H10B HOOD, TOP ENTRY M20, EMC, HIGH CONSTRUCTION, SCREW TYPE H10B带屏蔽上壳(顶出M20、高结构、螺丝连接)	M20		
T1130105125-000	H10B-TGH-EMCS-M25	H10B HOOD, TOP ENTRY M25, EMC, HIGH CONSTRUCTION, SCREW TYPE H10B带屏蔽上壳(顶出M25、高结构、螺丝连接)	M25		
T1130105132-000	H10B-TGH-EMCS-M32	H10B HOOD, TOP ENTRY M32, EMC, HIGH CONSTRUCTION, SCREW TYPE H10B带屏蔽上壳(顶出M32、高结构、螺丝连接)	M32		
T1130105140-000	H10B-TGH-EMCS-M40	H10B HOOD, TOP ENTRY M40, EMC, HIGH CONSTRUCTION, SCREW TYPE H10B带屏蔽上壳(顶出M40、高结构、螺丝连接)	M40		
PART NUMBER 料号	PART DESCRIPTION 描述		PG/M THREAD-1 PG/M螺纹孔-1	PG/M THREAD-2 PG/M螺纹孔-2	TYPE 类型

THIS DRAWING IS A CONTROLLED DOCUMENT.

DWN: ROY LIU 21 JUN 2016
 CHK: KYLE ZENG 21 JUN 2016
 APVD: CHRIS WANG 21 JUN 2016

STE TE Connectivity

NAME: H10B-TSH/TGH-EMCS-PG/M

PRODUCT SPEC: -
 APPLICATION SPEC: -
 WEIGHT: -

MATERIAL: -
 FINISH: -

SIZE: A2
 CAGE CODE: -
 DRAWING NO: C-T11X01051XX000
 RESTRICTED TO: -

CUSTOMER DRAWING
 SCALE: 1:1
 SHEET: 1 OF 1
 REV: B