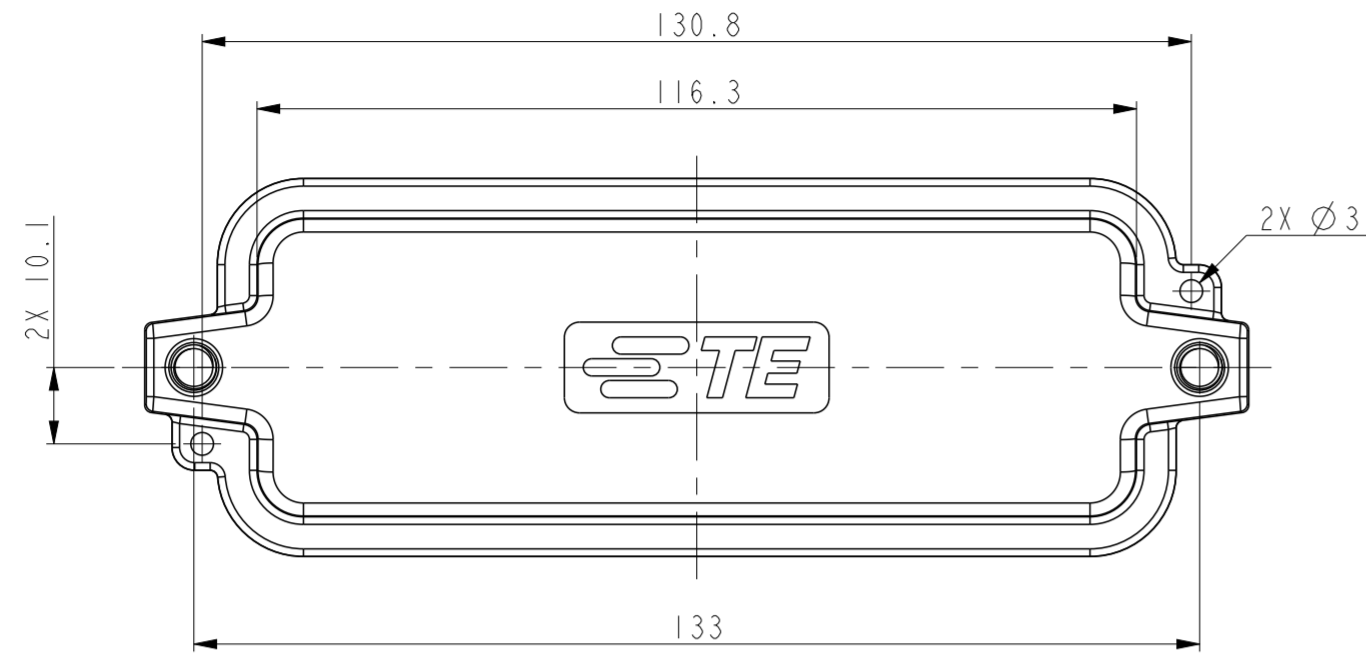


THIS DRAWING IS UNPUBLISHED. RELEASED FOR PUBLICATION  
 © COPYRIGHT copyright.d8Te- ALL RIGHTS RESERVED.

REVISIONS					
P	LTR	DESCRIPTION	DATE	DWN	APVD
	A	INITIAL	16SEP2017	CH	CW
	A1	ECR-18-003490	13MAR2018	TF	CW
	A2	ECR-19-007821	27MAY2019	WOR	CW



NOTES:  
 1. TECHNICAL CHARACTERISTICS:  
 PROTECTION COVER MATERIAL: ABS  
 DEGREE OF PROTECTION: IP67 (MATED)

注释:  
 1. 技术参数:  
 保护盖材质: ABS  
 防护等级: IP67(配合)

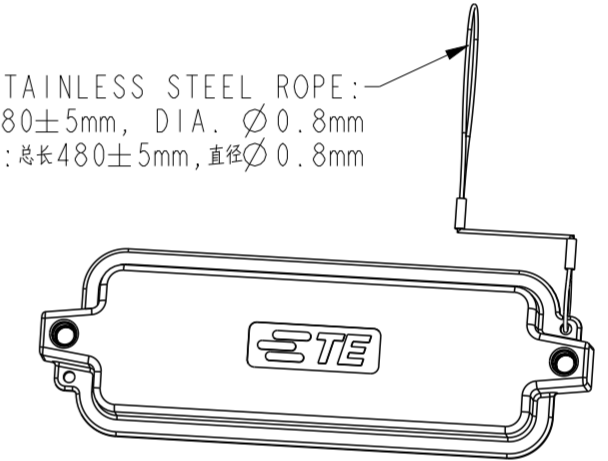
TYPE 1  
类型 1



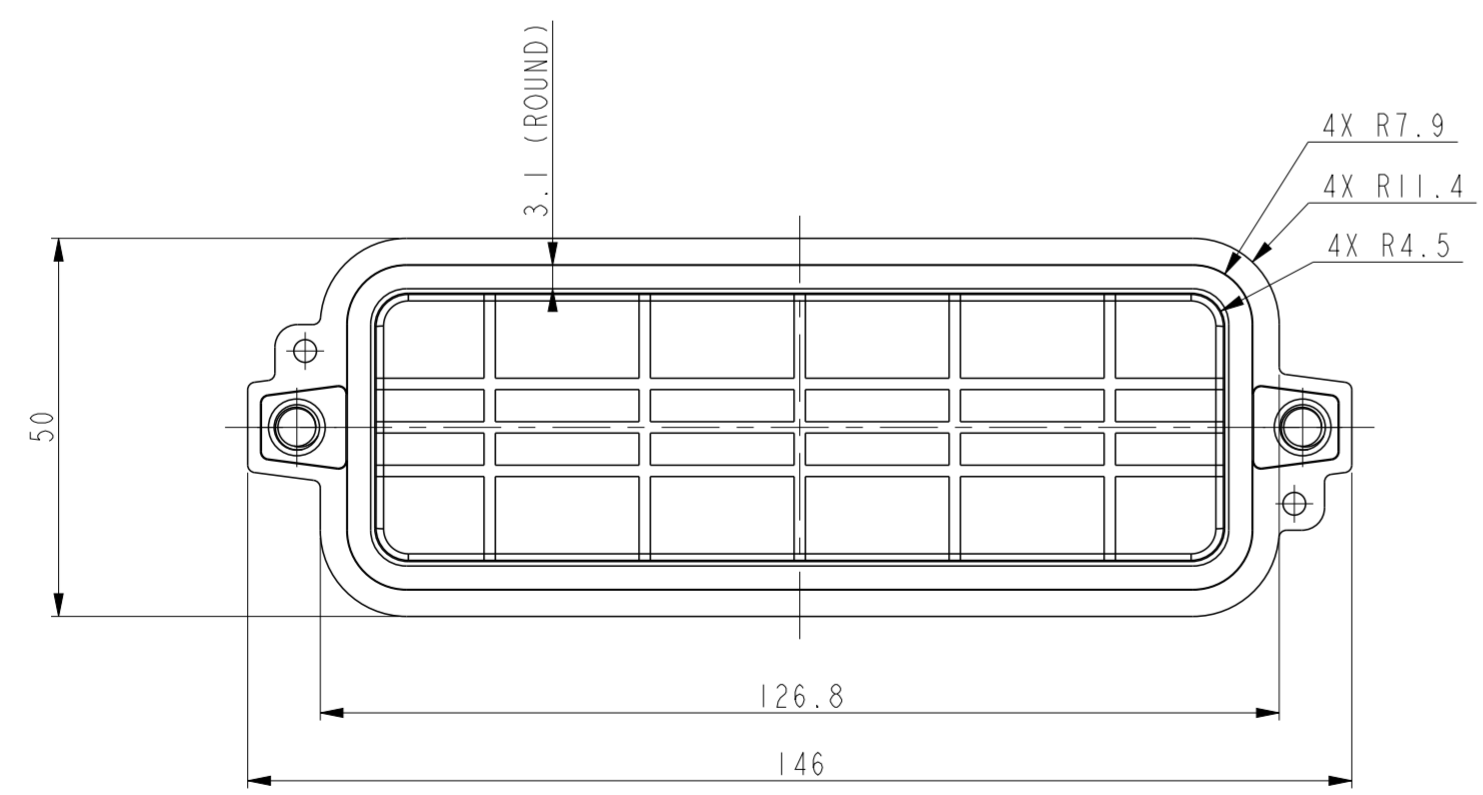
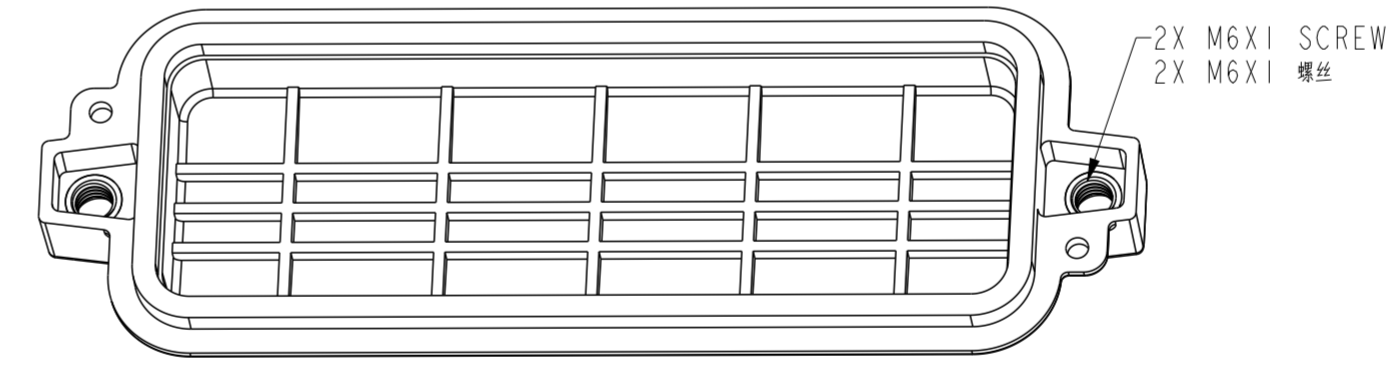
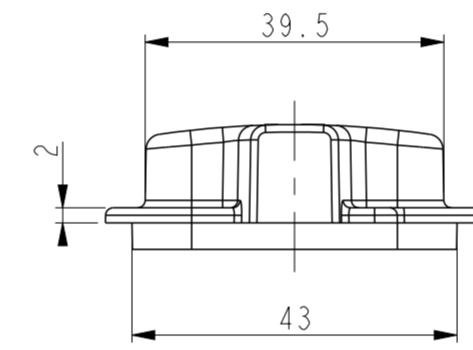
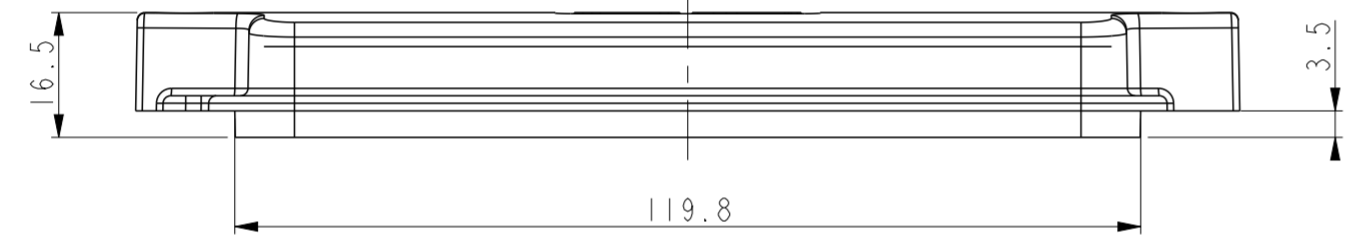
SCALE 1:2

TYPE 2  
类型 2

TRANSPARENT STAINLESS STEEL ROPE:  
 TOTAL LENGTH 480±5mm, DIA. Ø0.8mm  
 不锈钢绳: 总长480±5mm, 直径Ø0.8mm



SCALE 1:2



T1012241100-001	H24BK-KDTP-SS	H24BK HOOD PLASTIC PROTECTION COVER, CENTER LOCKING, IP67, WITHOUT SEALING, WITH STAINLE STEEL ROPE H24BK上壳中部锁定塑料保护盖, IP67, 不带密封, 带不锈钢绳	TYPE 2 类型 2
T1012241100-000	H24BK-KDTP-NA	H24BK HOOD PLASTIC PROTECTION COVER, CENTER LOCKING, IP67, WITHOUT SEALING, WITHOUT NYLON ROPE, WHITE H24BK上壳中部锁定塑料保护盖, IP67, 不带密封, 不带尼龙绳, 白色	TYPE 1 类型 1
PART NUMBER 料号	PART DESCRIPTION 描述		TYPE 类型

THIS DRAWING IS A CONTROLLED DOCUMENT.		DWN CHARLIE HU 16SEP2017	TE Connectivity															
DIMENSIONS: mm		CHK GINO.YAO 16SEP2017																
TOLERANCES UNLESS OTHERWISE SPECIFIED:		APVD CHRIS.WANG 16SEP2017	NAME H24BK-KDTP-NA															
<table border="1"> <tr><td>0 PLC</td><td>±</td></tr> <tr><td>1 PLC</td><td>±</td></tr> <tr><td>2 PLC</td><td>±</td></tr> <tr><td>3 PLC</td><td>±</td></tr> <tr><td>4 PLC</td><td>±</td></tr> <tr><td>ANGLES</td><td>±</td></tr> <tr><td>FINISH</td><td>±</td></tr> </table>		0 PLC	±	1 PLC	±	2 PLC	±	3 PLC	±	4 PLC	±	ANGLES	±	FINISH	±	PRODUCT SPEC -	RESTRICTED TO	
0 PLC	±																	
1 PLC	±																	
2 PLC	±																	
3 PLC	±																	
4 PLC	±																	
ANGLES	±																	
FINISH	±																	
MATERIAL -		APPLICATION SPEC -	SIZE A2	CAGE CODE -														
-		WEIGHT -	DRAWING NO G-T1012241100000															
-		CUSTOMER DRAWING	SCALE 5:1	SHEET 1 OF 1														
				REV A2														