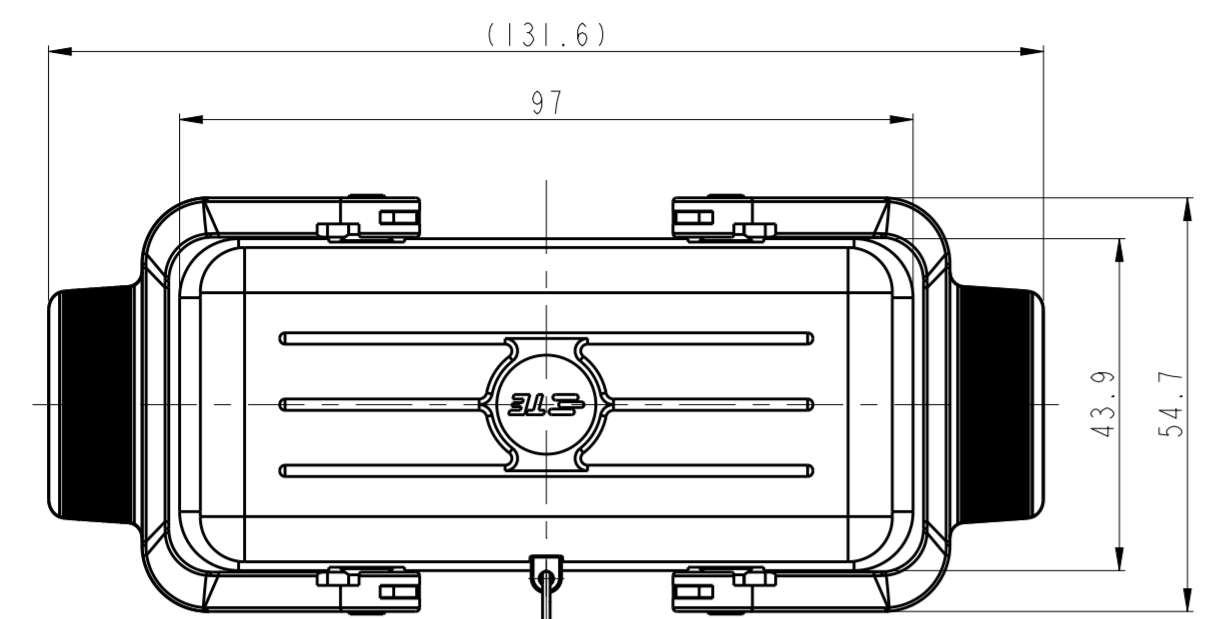


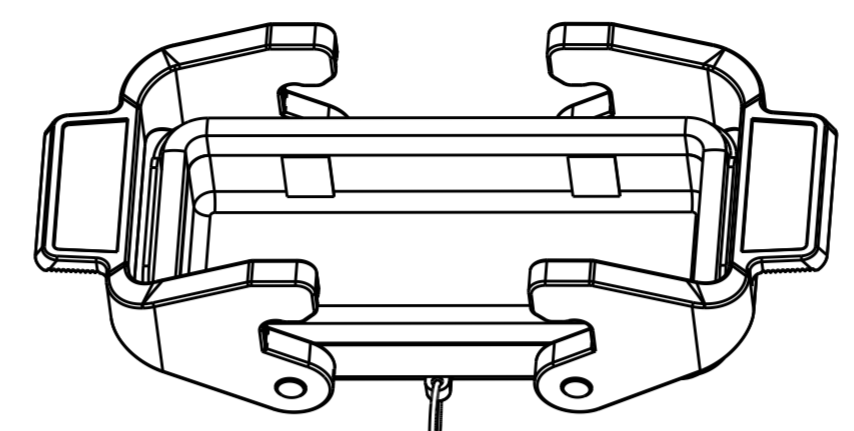
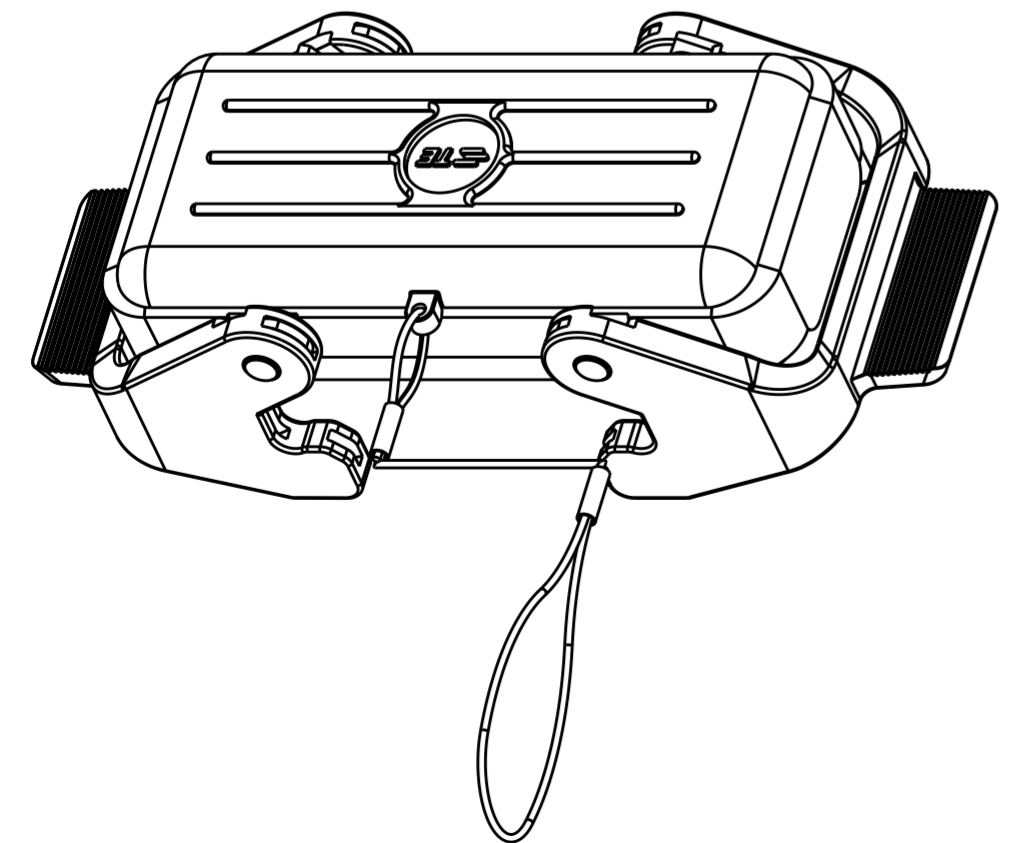
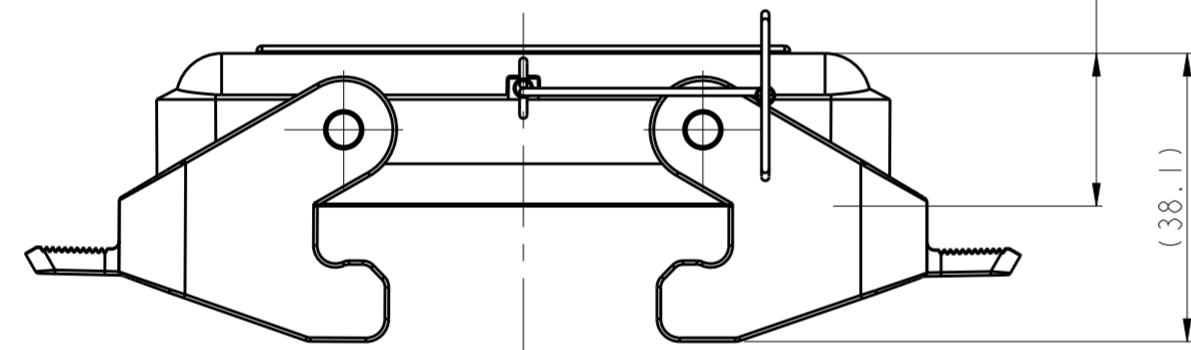
THIS DRAWING IS UNPUBLISHED. RELEASED FOR PUBLICATION
 © COPYRIGHT copyright_d81e- ALL RIGHTS RESERVED.

REVISIONS				
P	LTR	DESCRIPTION	DATE	APVD
	A	INITIAL	20JAN2017	CH CW
	AI	ECR-17-007543	27MAY2017	CH CW



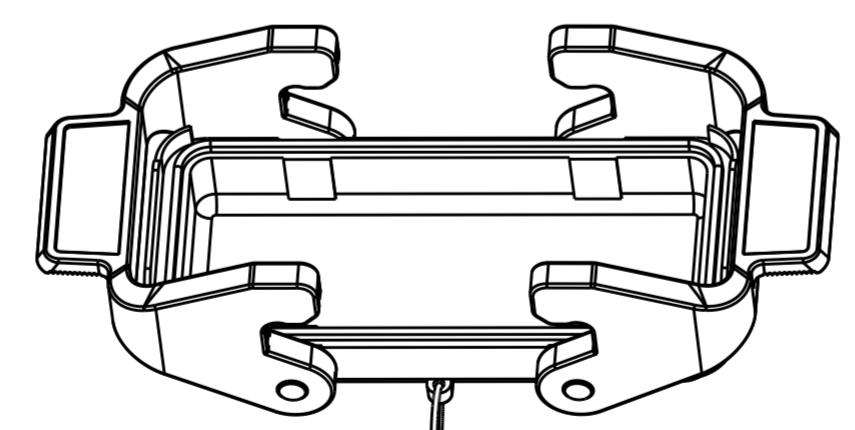
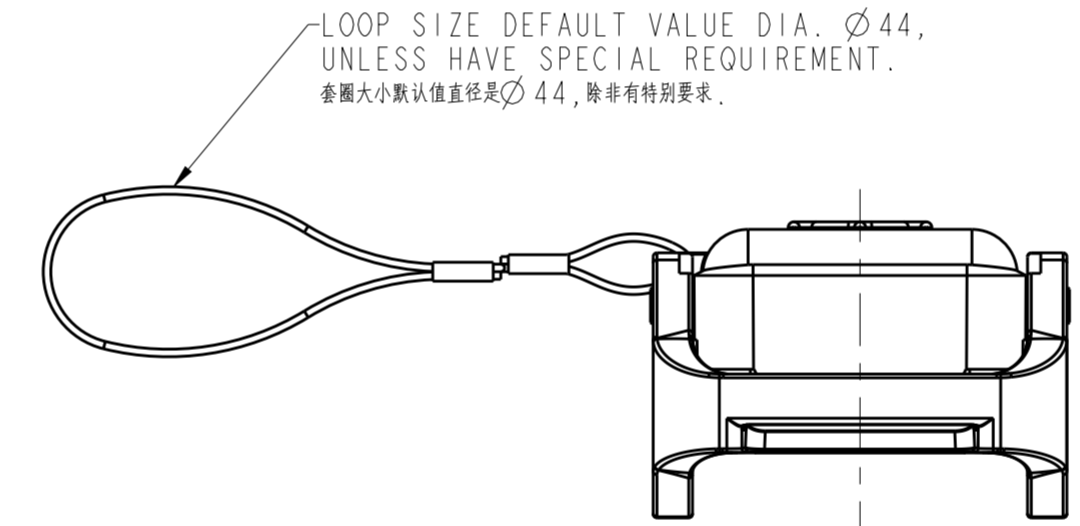
TRANSPARENT NYLON ROPE:
 TOTAL LENGTH 380mm,
 DIA. \varnothing 1.0mm
 透明尼龙绳: 总长380mm, 直径 \varnothing 1.0mm

20.2 DIM. WITH SEALING,
 NO DIM. WITHOUT SEALING
 带密封此尺寸, 不带密封此尺寸



SCALE 4:5

TYPE 2: THIS TYPE IS SAME AS TYPE1,
 ONLY ADD SEALING.
 类型2: 此类型同类型1, 只是增加了密封。



SCALE 4:5

TYPE I
 类型I

NOTES:
 1. TECHNICAL CHARACTERISTICS:
 COVER MATERIAL: PC, GREY
 PLASTIC DOUBLE LOCKING MATERIAL: PC, GREY
 SEALING MATERIAL: EPDM, BLACK

注释:
 1. 技术参数:
 保护盖材料: PC, 灰色
 塑料双扣材质: PC, 灰色
 密封材质: EPDM, 黑色

T1010161200-000	H16B-KDTP	H16B HOOD PLASTIC PROTECTION COVER, PLASTIC DOUBLE LOCKING, SEALING, NYLON ROPE, GREY H16B上壳塑料保护盖, 塑料双扣, 带密封, 尼龙绳, 灰色	TYPE 2 类型2
T1010161100-000	H16B-KDTP-NR	H16B HOOD PLASTIC PROTECTION COVER, PLASTIC DOUBLE LOCKING, WITHOUT SEALING, NYLON ROPE, GREY H16B上壳塑料保护盖, 塑料双扣, 不带密封, 尼龙绳, 灰色	TYPE I 类型I
PART NUMBER 料号	PART DESCRIPTION 描述		TYPE 类型

THIS DRAWING IS A CONTROLLED DOCUMENT.		DWN CHARLIE HU 20 JAN 2017	TE Connectivity	
DIMENSIONS: mm		CHK KYLE ZENG 20 JAN 2017		
TOLERANCES UNLESS OTHERWISE SPECIFIED:		APVD CHRIS WANG 20 JAN 2017	NAME H16B-KDTP / H16B-KDTP-NR	
0 PLC	±	PRODUCT SPEC	SIZE	CAGE CODE
1 PLC	±	APPLICATION SPEC	A2	-
2 PLC	±	WEIGHT	DRAWING NO G-T1010161X0000	
3 PLC	±	CUSTOMER DRAWING	SCALE	SHEET
4 PLC	±		1:1	OF
ANGLES	±			REV
FINISH	-			AI