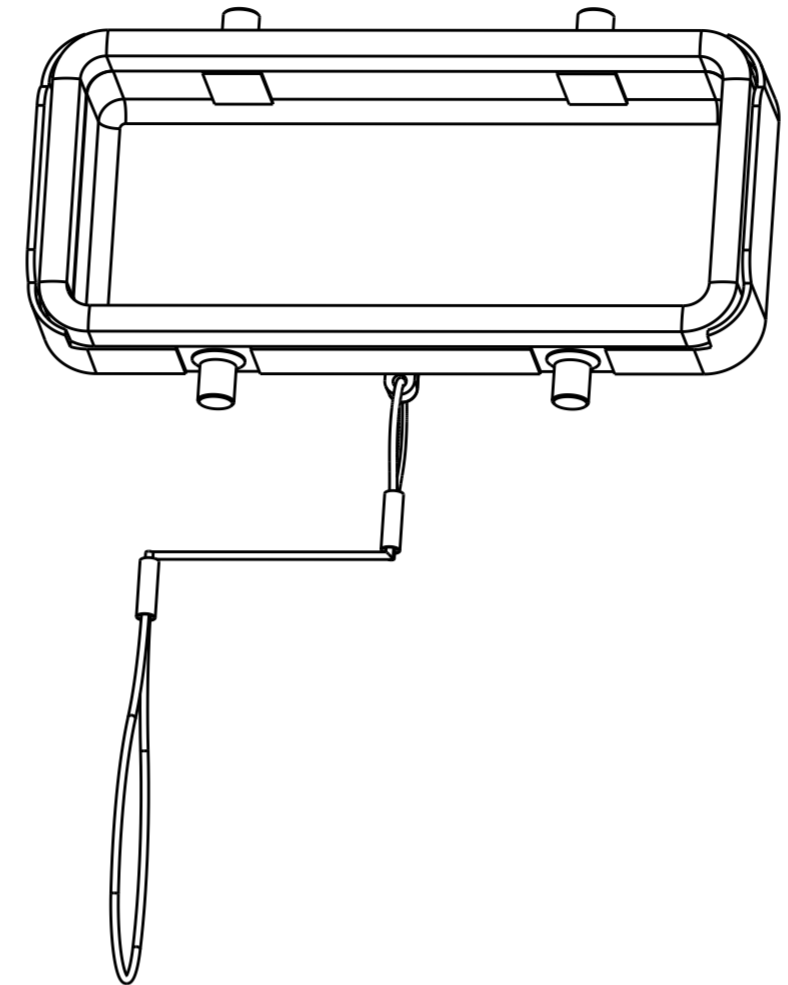
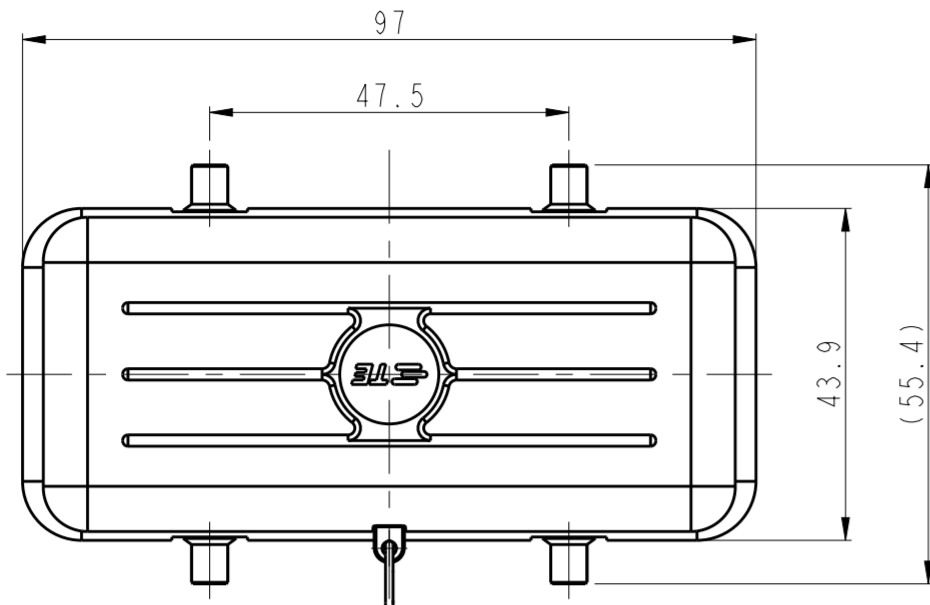


THIS DRAWING IS UNPUBLISHED. RELEASED FOR PUBLICATION  
 © COPYRIGHT copyright.d8te- ALL RIGHTS RESERVED.

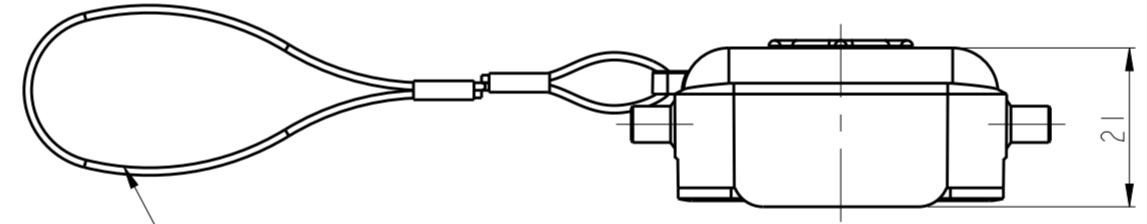
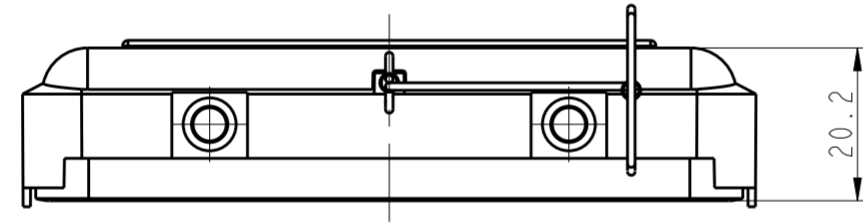
| REVISIONS |     |             |           |       |
|-----------|-----|-------------|-----------|-------|
| P         | LTR | DESCRIPTION | DATE      | APVD  |
|           | A   | INITIAL     | 23JUN2017 | CH CW |
|           |     |             |           |       |
|           |     |             |           |       |



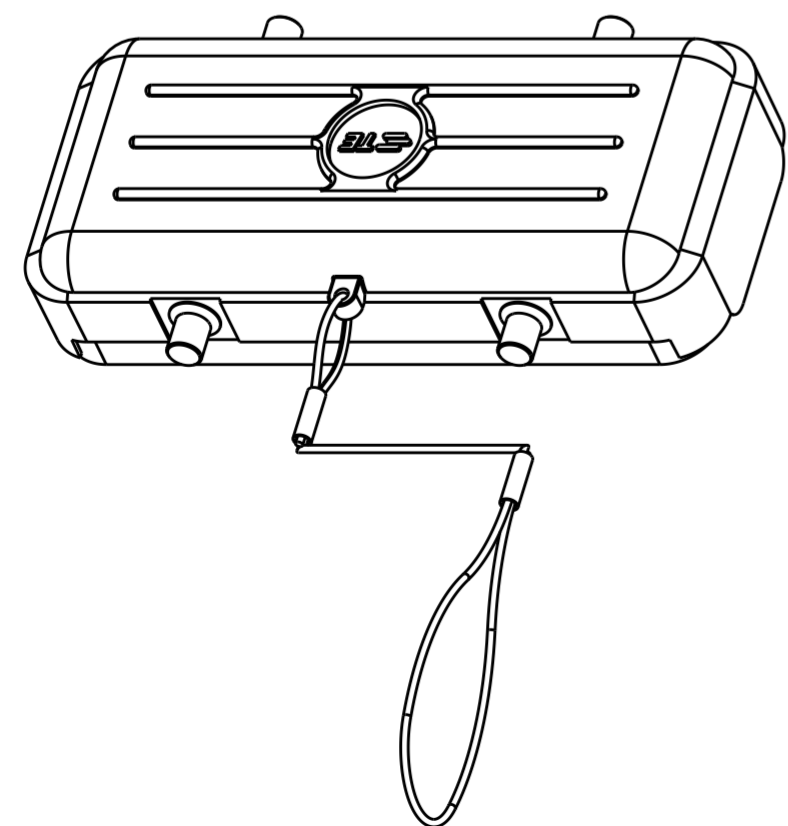
TRANSPARENT NYLON ROPE:  
 TOTAL LENGTH 380mm,  
 DIA.  $\varnothing$  1.0mm  
 透明尼龙绳: 总长380mm, 直径 $\varnothing$  1.0mm

NOTES:  
 1. TECHNICAL CHARACTERISTICS:  
 COVER MATERIAL: PC, GREY

注释:  
 1. 技术参数:  
 保护盖材质: PC, 灰色



LOOP SIZE DEFAULT VALUE DIA.  $\varnothing$  44,  
 UNLESS HAVE SPECIAL REQUIREMENT.  
 套圈大小默认直径是 $\varnothing$  44, 除非有特别要求.



|                   |                        |  |
|-------------------|------------------------|--|
| T1010161600-000   | H16B-KDTP-BO           | H16B HOOD PLASTIC PROTECTION COVER,<br>4 EAR, SEALING, NYLON ROPE, GREY<br>H16B上壳塑料保护盖, 4耳, 带密封, 尼龙绳, 灰色 |
| PART NUMBER<br>料号 | PART DESCRIPTION<br>描述 |  |

|   |   |  |                            |            |   |       |   |       |   |       |   |        |   |        |   |  |                  |           |
|---|---|--|----------------------------|------------|---|-------|---|-------|---|-------|---|--------|---|--------|---|--|------------------|-----------|
| THIS DRAWING IS A CONTROLLED DOCUMENT.  |   | DWN 23JUN2017<br>CHARLIE HU            | <b>STE</b> TE Connectivity |            |   |       |   |       |   |       |   |        |   |        |   |  |                  |           |
|   |   | CHK 23JUN2017<br>GINO YAO              |                            |            |   |       |   |       |   |       |   |        |   |        |   |  |                  |           |
|   |   | APVD 23JUN2017<br>CHRIS WANG           | NAME<br>H16B-KDTP-BO       |            |   |       |   |       |   |       |   |        |   |        |   |  |                  |           |
| DIMENSIONS:<br>mm   |   | TOLERANCES UNLESS OTHERWISE SPECIFIED: | PRODUCT SPEC               | SIZE       |   |       |   |       |   |       |   |        |   |        |   |  |                  |           |
| <table border="1"> <tr><td>0 PLC</td><td>±</td></tr> <tr><td>1 PLC</td><td>±</td></tr> <tr><td>2 PLC</td><td>±</td></tr> <tr><td>3 PLC</td><td>±</td></tr> <tr><td>4 PLC</td><td>±</td></tr> <tr><td>ANGLES</td><td>±</td></tr> <tr><td>FINISH</td><td>±</td></tr> </table> |   | 0 PLC                                  | ±                          | 1 PLC      | ± | 2 PLC | ± | 3 PLC | ± | 4 PLC | ± | ANGLES | ± | FINISH | ± |  | APPLICATION SPEC | CAGE CODE |
| 0 PLC   | ± |  |                            |            |   |       |   |       |   |       |   |        |   |        |   |  |                  |           |
| 1 PLC   | ± |  |                            |            |   |       |   |       |   |       |   |        |   |        |   |  |                  |           |
| 2 PLC   | ± |  |                            |            |   |       |   |       |   |       |   |        |   |        |   |  |                  |           |
| 3 PLC   | ± |  |                            |            |   |       |   |       |   |       |   |        |   |        |   |  |                  |           |
| 4 PLC   | ± |  |                            |            |   |       |   |       |   |       |   |        |   |        |   |  |                  |           |
| ANGLES  | ± |  |                            |            |   |       |   |       |   |       |   |        |   |        |   |  |                  |           |
| FINISH  | ± |  |                            |            |   |       |   |       |   |       |   |        |   |        |   |  |                  |           |
| MATERIAL  |   |  | WEIGHT                     | DRAWING NO |   |       |   |       |   |       |   |        |   |        |   |  |                  |           |
|   |   |  |                            | A2         |   |       |   |       |   |       |   |        |   |        |   |  |                  |           |
|   |   |  | CUSTOMER DRAWING           | SCALE 1:1  |   |       |   |       |   |       |   |        |   |        |   |  |                  |           |
|   |   |  |                            | SHEET OF   |   |       |   |       |   |       |   |        |   |        |   |  |                  |           |
|   |   |  |                            | REV A      |   |       |   |       |   |       |   |        |   |        |   |  |                  |           |