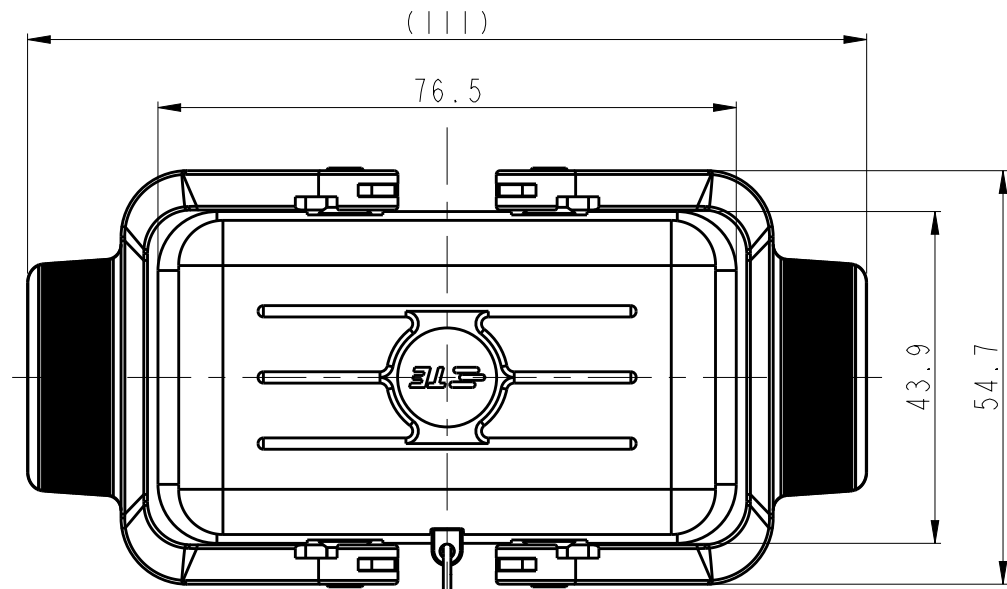


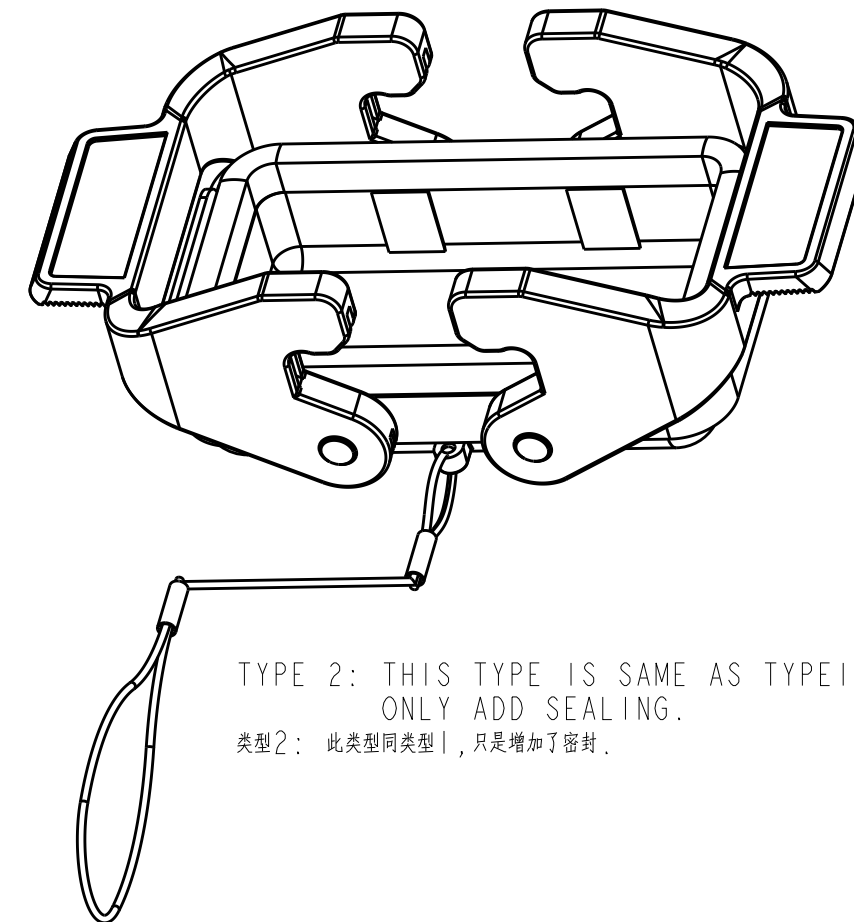
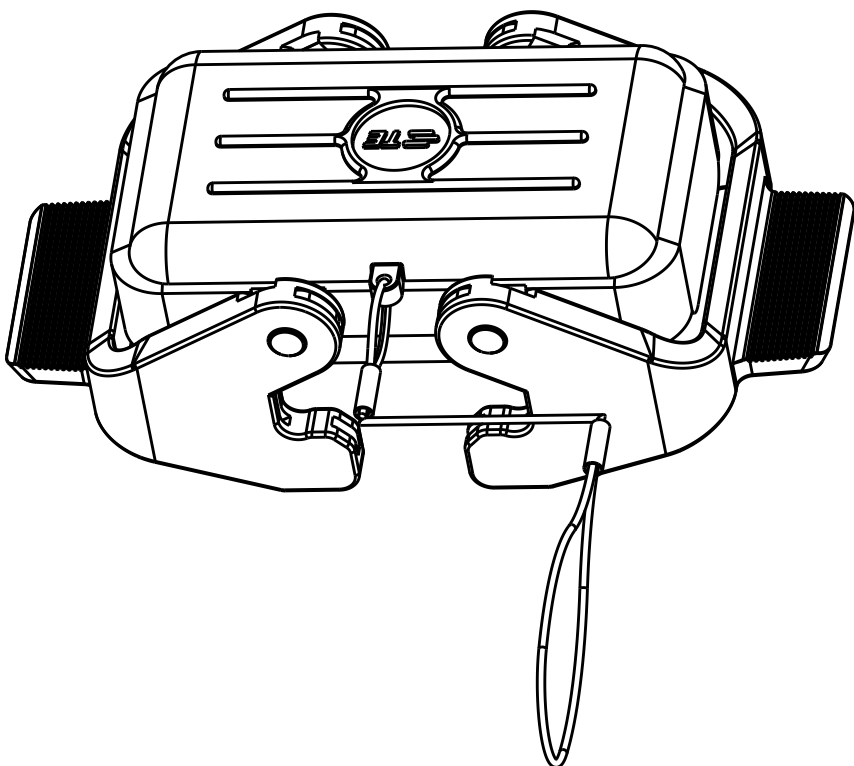
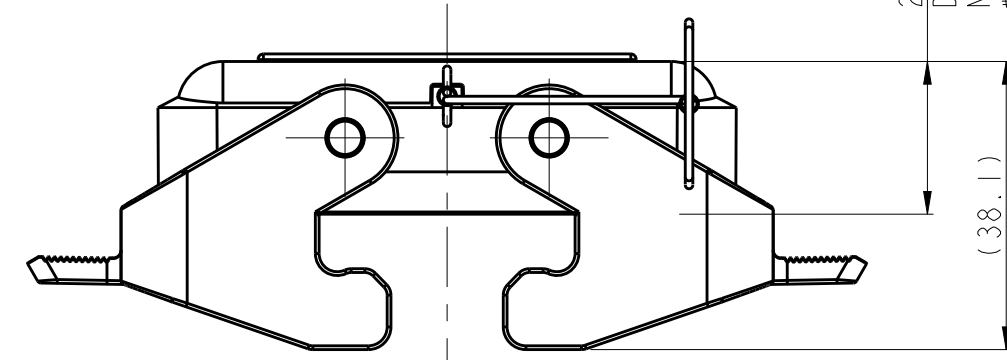
THIS DRAWING IS UNPUBLISHED. RELEASED FOR PUBLICATION  
 © COPYRIGHT copyright.d8Te- ALL RIGHTS RESERVED.

REVISIONS					
P	LTR	DESCRIPTION	DATE	DWN	APVD
	A	INITIAL	18JAN2017	CH	CW
	AI	ECR-17-007543	27MAY2017	CH	CW



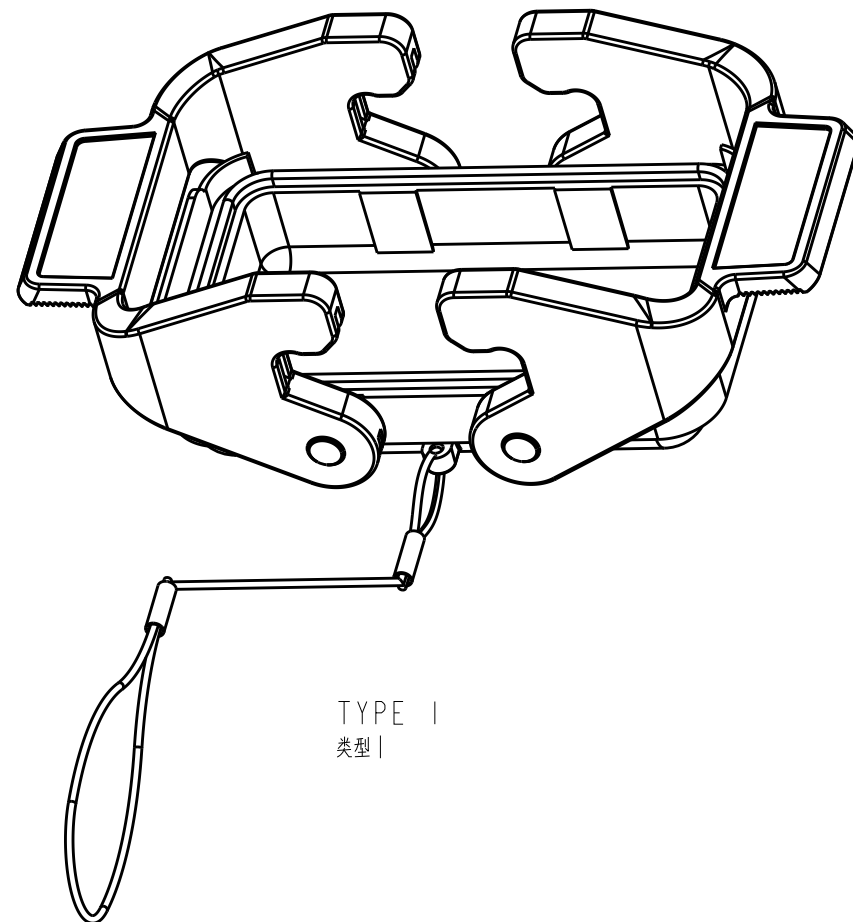
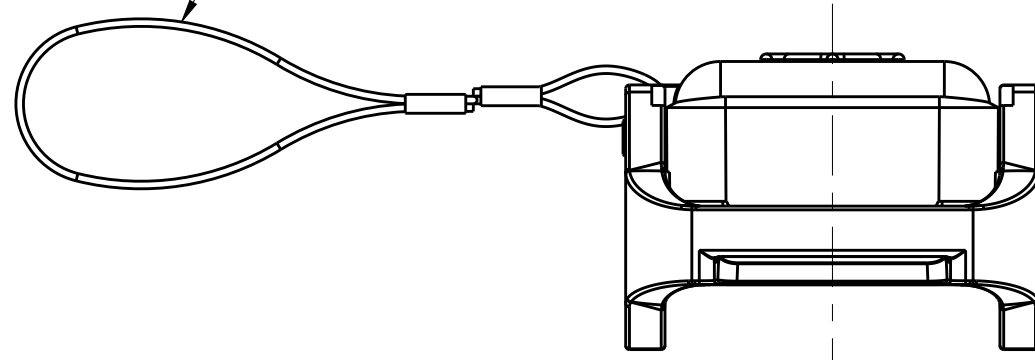
TRANSPARENT NYLON ROPE:  
 TOTAL LENGTH 380mm,  
 DIA.  $\varnothing$ 1.0mm  
 透明尼龙绳: 总长380mm, 直径 $\varnothing$ 1.0mm

20.2 DIM. WITH SEALING,  
 NO DIM. WITHOUT SEALING.  
 带密封有此尺寸, 不带密封无此尺寸



TYPE 2: THIS TYPE IS SAME AS TYPE1,  
 ONLY ADD SEALING.  
 类型2: 此类型同类型1, 只是增加了密封。

LOOP SIZE DEFAULT VALUE DIA.  $\varnothing$ 28.5,  
 UNLESS HAVE SPECIAL REQUIREMENT.  
 套圈大小默认值直径是 $\varnothing$ 28.5, 除非有特别要求。



TYPE 1  
 类型1

NOTES:  
 1. TECHNICAL CHARACTERISTICS:  
 COVER MATERIAL: PC, GREY  
 PLASTIC DOUBLE LOCKING MATERIAL: PC, GREY  
 SEALING MATERIAL: NBR, BLACK

注释:  
 1. 技术参数:  
 保护盖材质: PC, 灰色  
 塑料双扣材质: PC, 灰色  
 密封材质: NBR, 黑色

T1010101200-000	H10B-KDTP	H10B HOOD PLASTIC PROTECTION COVER, PLASTIC DOUBLE LOCKING, SEALING, NYLON ROPE, GREY H10B上壳塑料保护盖, 塑料双扣, 带密封, 尼龙绳, 灰色	TYPE 2 类型2
T1010101100-000	H10B-KDTP-NR	H10B HOOD PLASTIC PROTECTION COVER, PLASTIC DOUBLE LOCKING, WITHOUT SEALING, NYLON ROPE, GREY H10B上壳塑料保护盖, 塑料双扣, 不带密封, 尼龙绳, 灰色	TYPE 1 类型1
PART NUMBER 料号	PART DESCRIPTION 描述		TYPE 类型

THIS DRAWING IS A CONTROLLED DOCUMENT.		DWN CHARLIE HU 18JAN2017	TE Connectivity		
DIMENSIONS: mm		CHK KYLE ZENG 18JAN2017			NAME H10B-KDTP / H10B-KDTP-NR
TOLERANCES UNLESS OTHERWISE SPECIFIED: 0 PLC $\pm$ 1 PLC $\pm$ 2 PLC $\pm$ 3 PLC $\pm$ 4 PLC $\pm$ ANGLES $\pm$ FINISH		APVD CHRIS WANG 18JAN2017			RESTRICTED TO -
MATERIAL -		PRODUCT SPEC -	SCALE A2	DRAWING NO G-T1010101X0000	
		APPLICATION SPEC -	SCALE 1:1	SHEET OF	
		WEIGHT -	CUSTOMER DRAWING	REV A1	