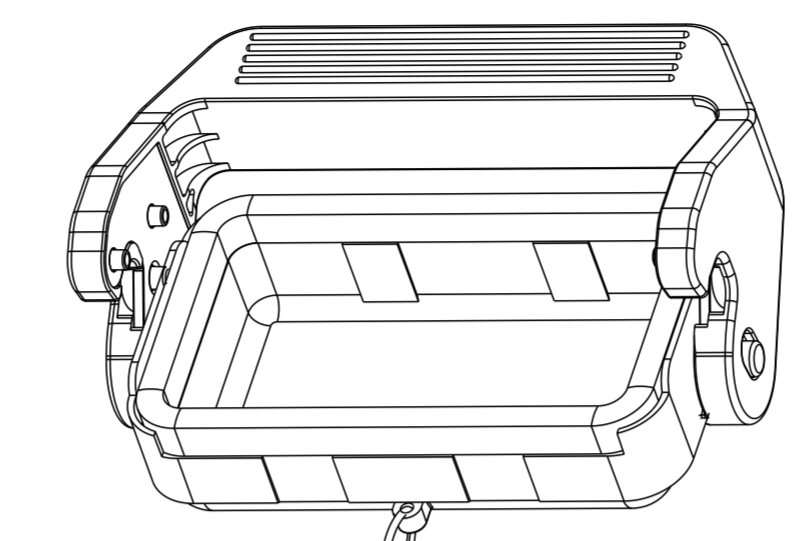
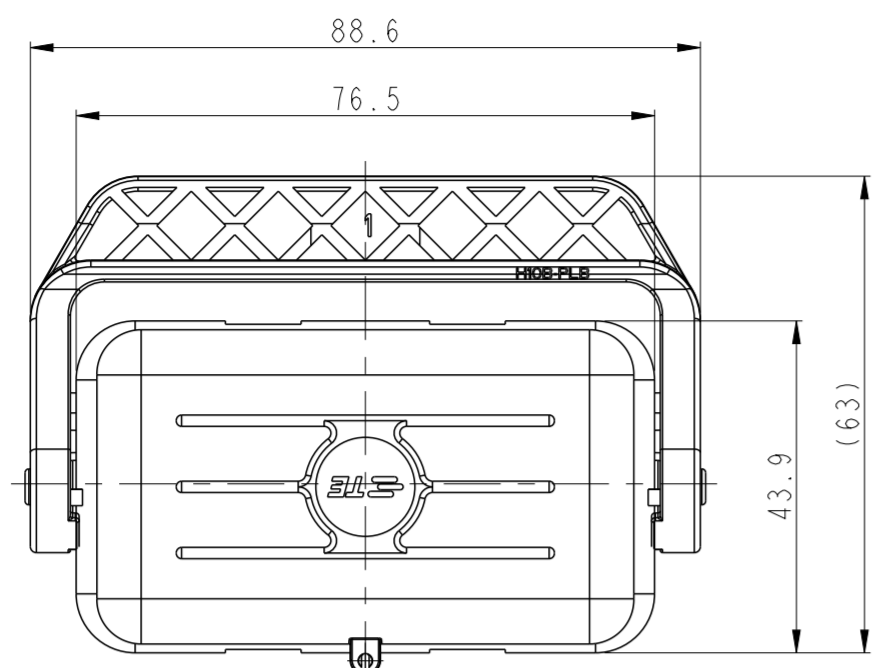


THIS DRAWING IS UNPUBLISHED. RELEASED FOR PUBLICATION
 © COPYRIGHT copyright.d8Te- ALL RIGHTS RESERVED.

REVISIONS					
P	LTR	DESCRIPTION	DATE	DWN	APVD
	A	INITIAL	18JAN2017	CH	CW
	A1	ECR-17-007543	27MAY2017	CH	CW
	A2	ECR-23-193777	16JAN2024	RW	CW



NOTES:
 1. TECHNICAL CHARACTERISTICS:
 COVER MATERIAL: PC, GREY
 PLASTIC SINGLE LOCKING MATERIAL: NYLON, GREY
 SEALING MATERIAL: NBR, BLACK

注释:
 1. 技术参数:
 保护盖材质: PC, 灰色
 塑料单扣材质: 尼龙, 灰色
 密封材质: NBR, 黑色

T1010101500-000: TRANSPARENT NYLON ROPE:
 TOTAL LENGTH 380±5mm,
 DIA. \varnothing 1.0mm
 透明尼龙绳: 总长380±5mm, 直径 \varnothing 1.0mm

T1010101500-001: STAINLESS STEEL ROPE WITH SHEATH:
 TOTAL LENGTH 380±5mm,
 DIA. \varnothing 1.5mm
 包胶钢丝绳: 总长380±5mm, 直径 \varnothing 1.5mm

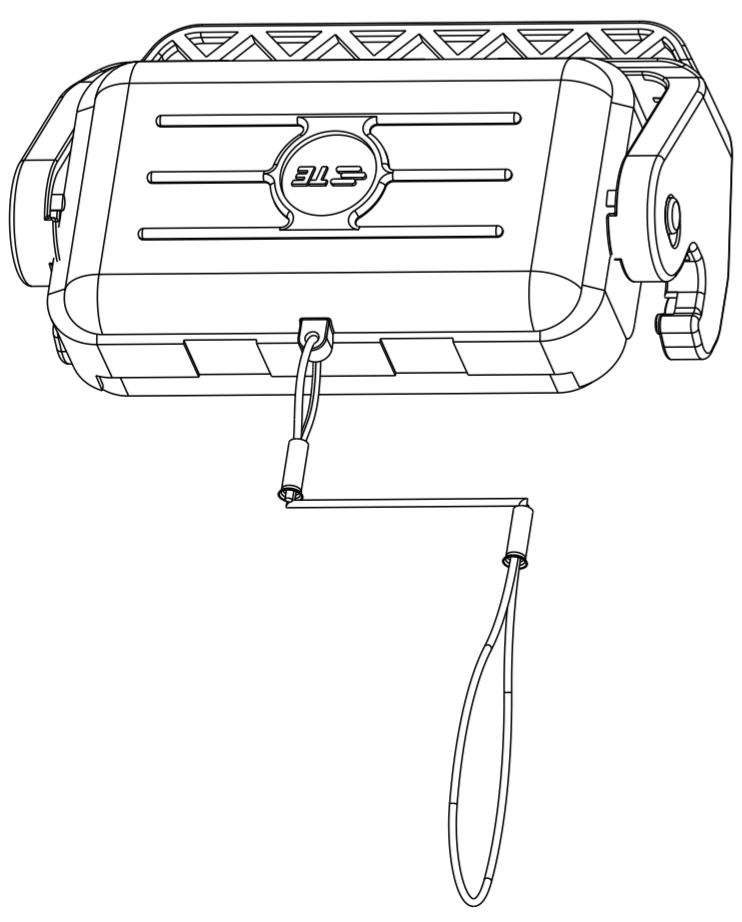
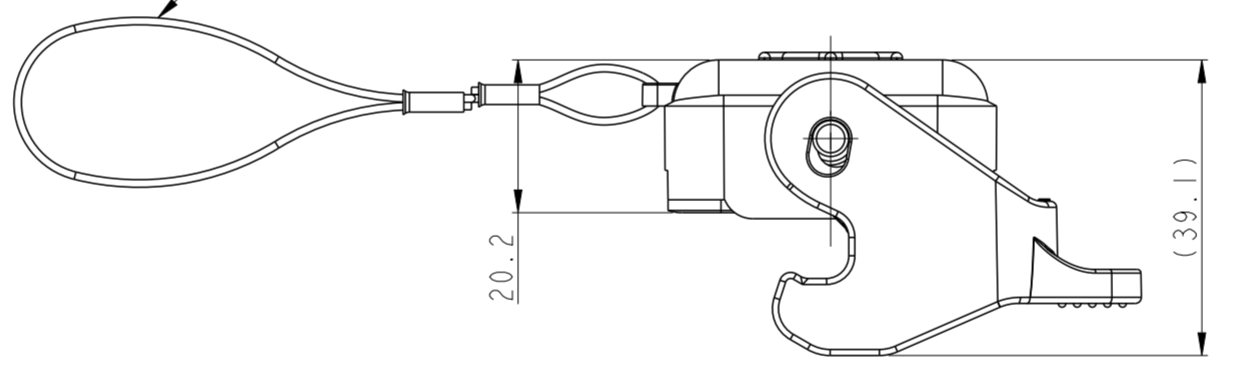
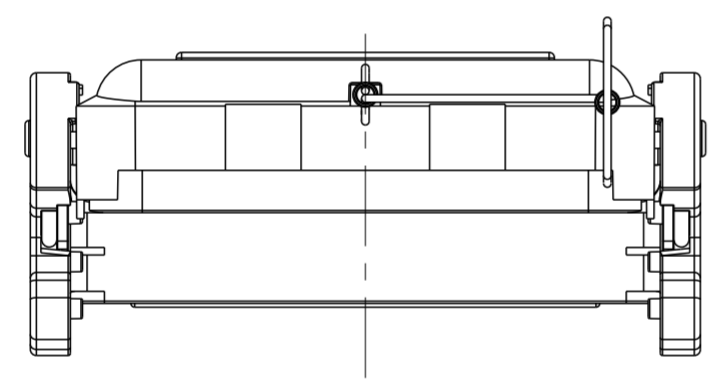
T1010101500-000: LOOP SIZE DEFAULT VALUE DIA. \varnothing 28.5⁺⁰₋₄,
 T1010101500-001: LOOP SIZE DEFAULT VALUE DIA. \varnothing 44⁺⁰₋₄,

IF HAVE SPECIAL REQUIREMENT, PLEASE REFER TO PROTECTION COVER NYLON ROPE LOOP OPERATING GENERAL TECHNICAL SPEC. FILE NO. SIBAS-GC-040.

T1010101500-000: 套圈大小默认值直径是 \varnothing 28.5⁺⁰₋₄,

T1010101500-001: 套圈大小默认值直径是 \varnothing 44⁺⁰₋₄,

如果有特别要求, 请参照保护盖尼龙绳套圈作业通用技术规范, 其文件编号: SIBAS-GC-040.



T1010101500-000	H10B-KDTP-LB	H10B HOOD PLASTIC PROTECTION COVER, PLASTIC SINGLE LOCKING, SEALING, NYLON ROPE, GREY H10B上壳塑料保护盖, 塑料单扣, 带密封, 尼龙绳, 灰色
T1010101500-001	H10B-KDTP-LB-SS	H10B HOOD PLASTIC PROTECTION COVER, PLASTIC SINGLE LOCKING, SEALING, SUS ROPE WITH SEATH, GREY H10B上壳塑料保护盖, 塑料单扣, 带密封, 包胶钢丝绳, 灰色
PART NUMBER 料号	PART DESCRIPTION 描述	

THIS DRAWING IS A CONTROLLED DOCUMENT.		DWN CHARLIE.HU 18JAN2017	TE Connectivity				
DIMENSIONS: mm		CHK KYLE.ZENG 18JAN2017			NAME H10B-KDTP-LB		
		APVD CHRIS.WANG 18JAN2017					
TOLERANCES UNLESS OTHERWISE SPECIFIED:		PRODUCT SPEC	SIZE A2	CAGE CODE -	DRAWING NO G-T1010101500000	RESTRICTED TO	
MATERIAL		APPLICATION SPEC	WEIGHT	SCALE 1:1	SHEET 1	OF 1	REV A2
-		-	-	CUSTOMER DRAWING			