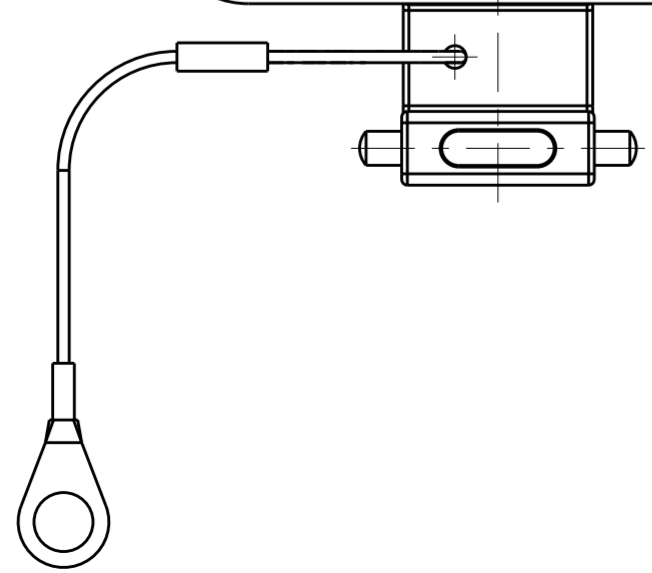
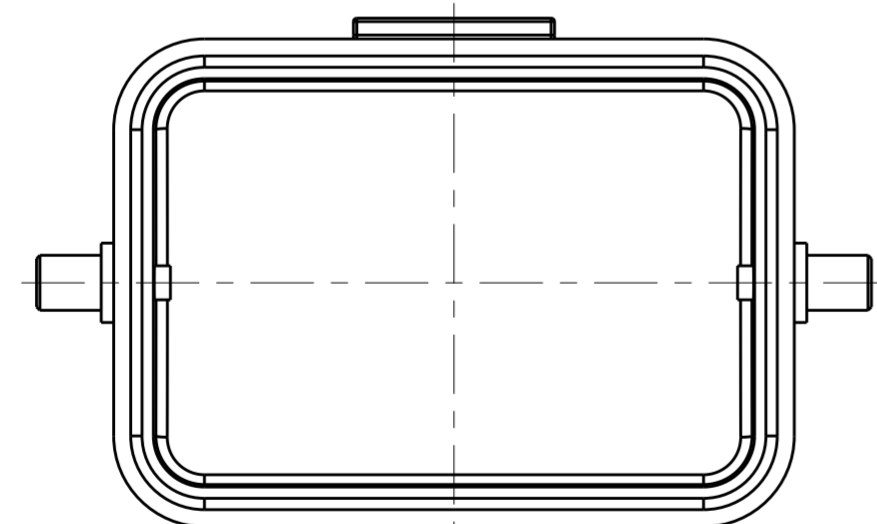
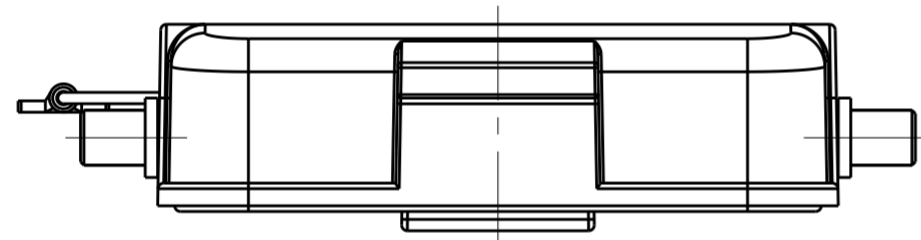
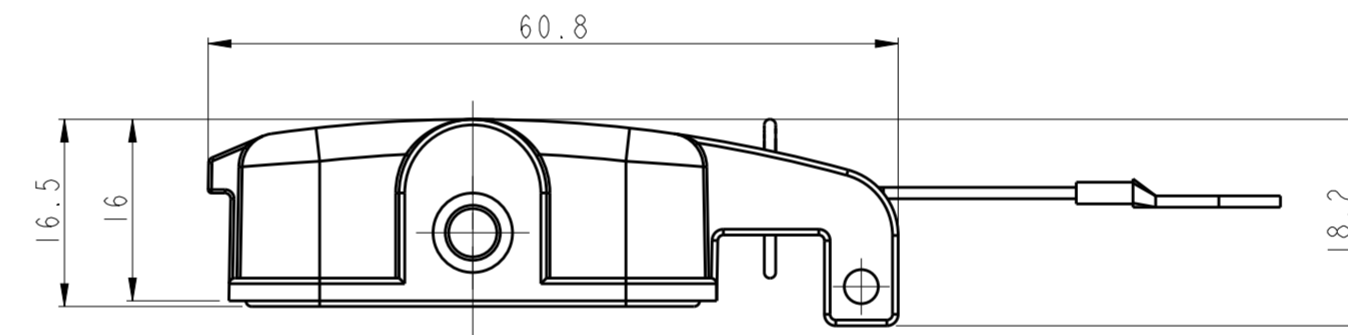
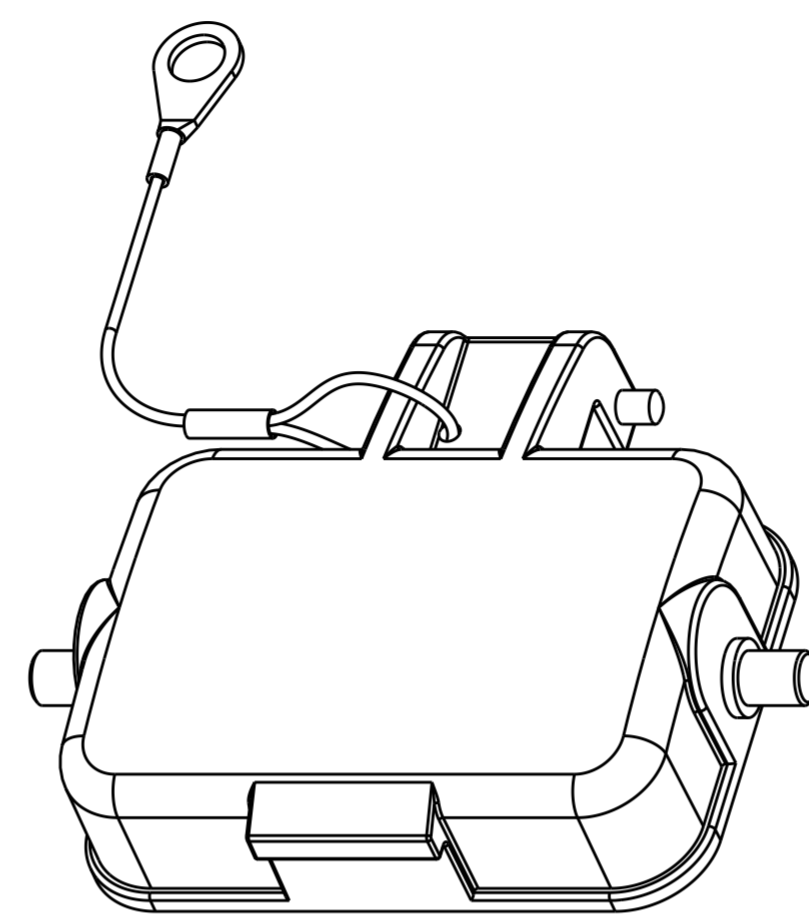
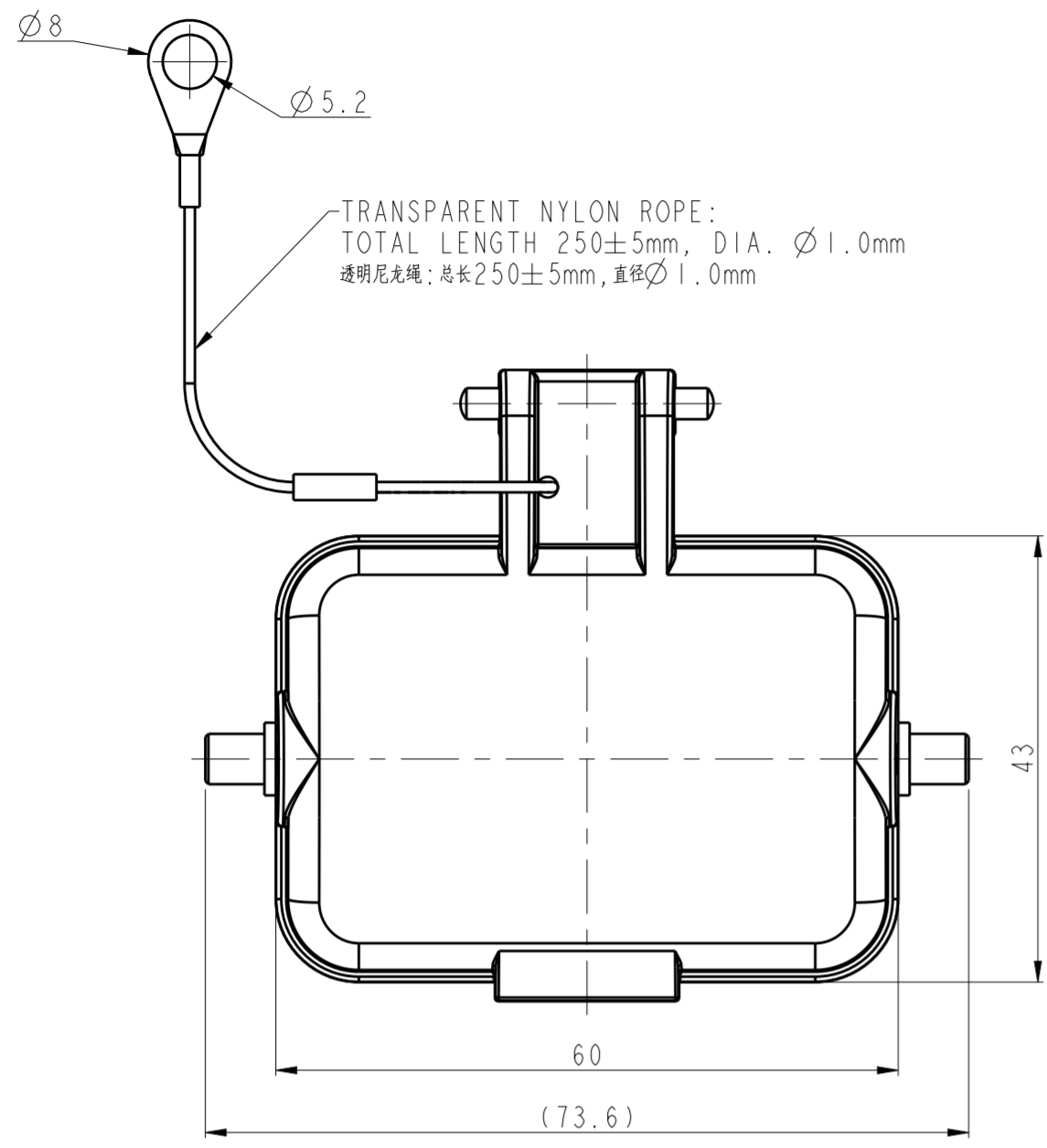


THIS DRAWING IS UNPUBLISHED. RELEASED FOR PUBLICATION 20  
 © COPYRIGHT 20 BY - ALL RIGHTS RESERVED.

REVISIONS				
P	LTR	DESCRIPTION	DATE	APVD
	A	INITIAL	27NOV2016	CH CW



NOTES:  
 1. TECHNICAL CHARACTERISTICS:  
 COVER MATERIAL: DIE CAST ZINC ALLOY  
 COVER SURFACE: POWDER COATED, GRAY

注释:  
 1. 技术参数:  
 壳体材料: 锌合金  
 表面处理: 灰色粉末喷涂

T1010062101-000	H6B-KDBM	H6B HOUSING METAL PROTECTION COVER, 2 EAR, WITHOUT SEALING, NYLON ROPE, GRAY H6B下壳金属保护盖, 2耳, 不带密封, 尼龙绳, 灰色
PART NUMBER 料号	PART DESCRIPTION 描述	

THIS DRAWING IS A CONTROLLED DOCUMENT.		DWN 27NOV2016 CHARLIE HU	<b>STE</b> TE Connectivity	
DIMENSIONS: mm		CHK 27NOV2016 KYLE ZENG		
TOLERANCES UNLESS OTHERWISE SPECIFIED:		APVD 27NOV2016 CHRIS WANG	NAME H6B-KDBM	
0 PLC ±-		PRODUCT SPEC	SIZE CAGE CODE DRAWING NO RESTRICTED TO	
1 PLC ±-		APPLICATION SPEC	A2 - C-T1010062101000 -	
2 PLC ±-		WEIGHT	SCALE 3:2 SHEET 1 OF 1 REV A	
3 PLC ±-		CUSTOMER DRAWING		
4 PLC ±-				
ANGLES ±-				
FINISH				