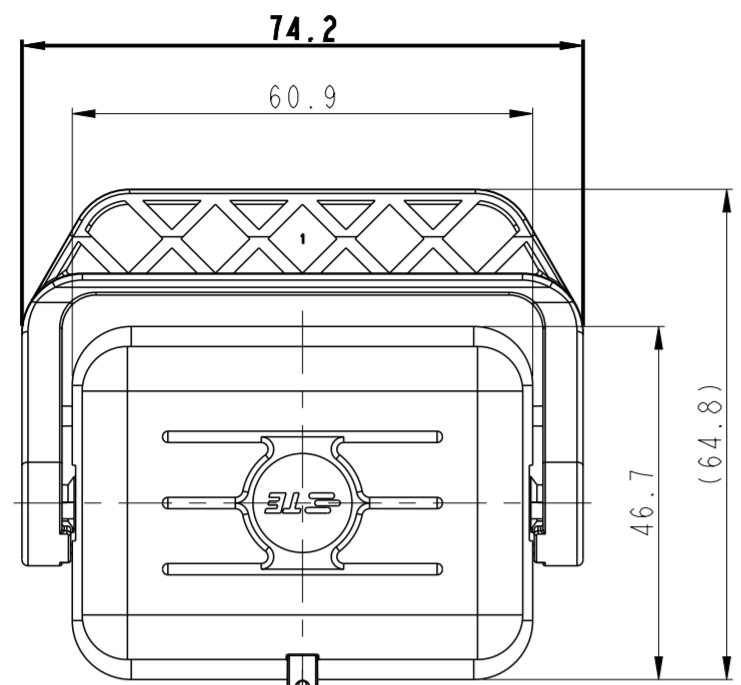


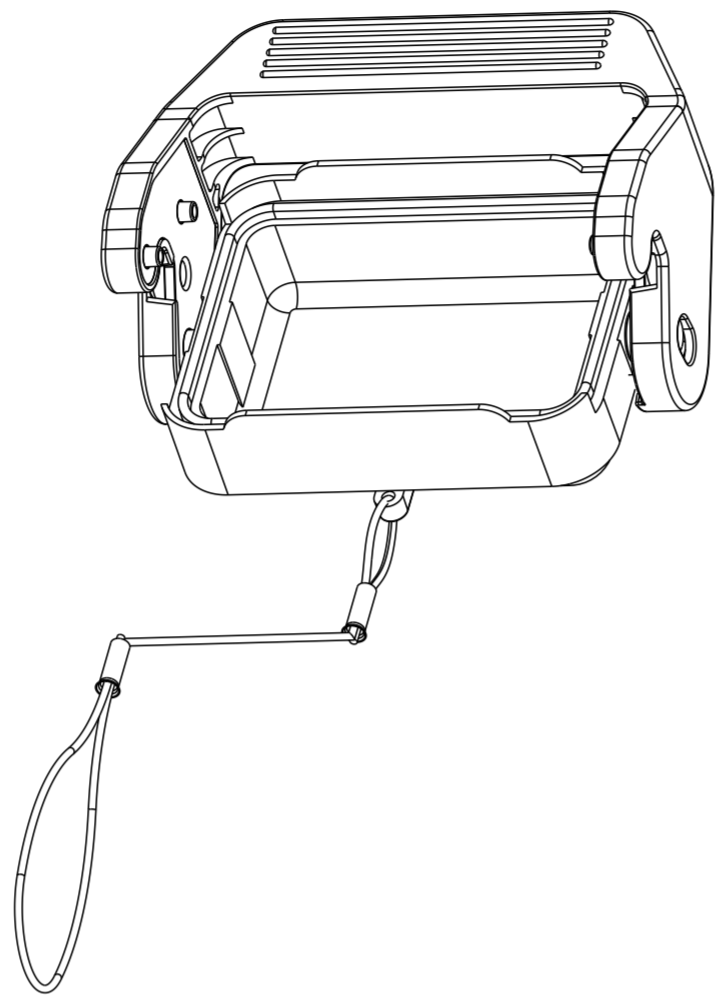
THIS DRAWING IS UNPUBLISHED. RELEASED FOR PUBLICATION 20
 © COPYRIGHT 20 BY - ALL RIGHTS RESERVED.

REVISIONS					
P	LTR	DESCRIPTION	DATE	DWN	APVD
	A	INITIAL	28NOV2016	CH	CW
	A1	ECR-17-007543	27MAY2017	CH	CW
	A2	ECR-23-193777	16JAN2024	RW	CW
	A3	ECR-24-203067	19MAR2024	RW	CW

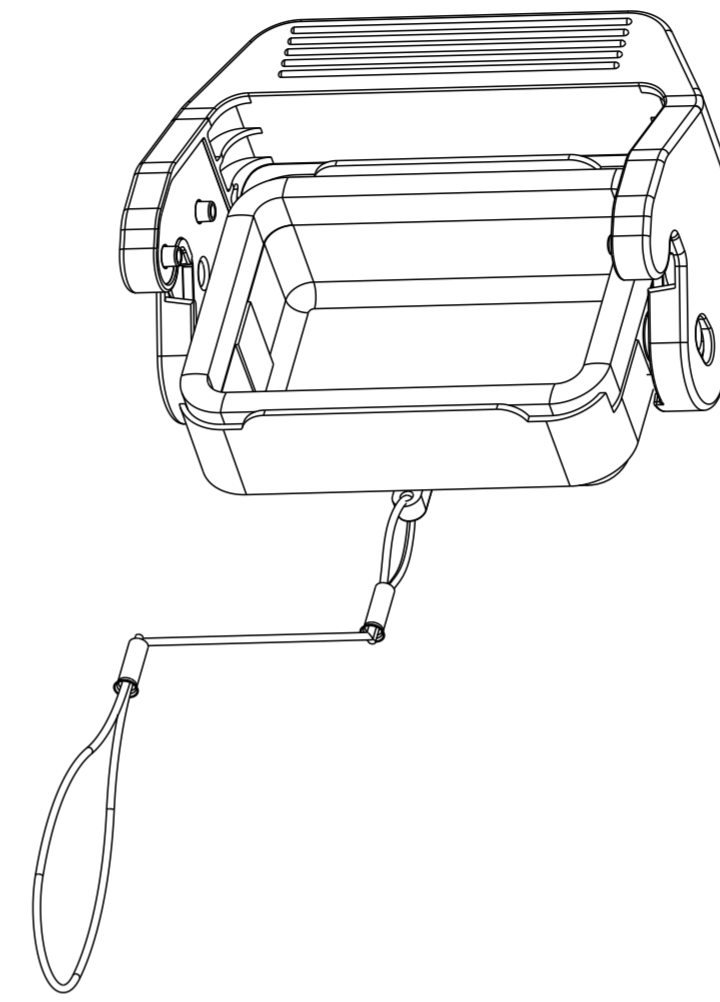


T1010061200-000
 T1010061100-000:
 TRANSPARENT NYLON ROPE:
 TOTAL LENGTH 380mm,
 DIA. \varnothing 1.0mm
 透明尼龙绳: 总长380mm, 直径 \varnothing 1.0mm

T1010061200-001:
 STAINLESS STEEL ROPE WITH SHEATH:
 TOTAL LENGTH 380±5mm,
 DIA. \varnothing 1.5mm
 包胶钢丝绳: 总长380±5mm, 直径 \varnothing 1.5mm



TYPE 1: H6B HOOD PLASTIC PROTECTION COVER,
 PLASTIC SINGLE LOCKING, WITHOUT SEALING,
 NYLON ROPE, GREY
 类型1: H6B上壳塑料保护盖, 塑料单扣, 不带密封, 尼龙绳, 灰色

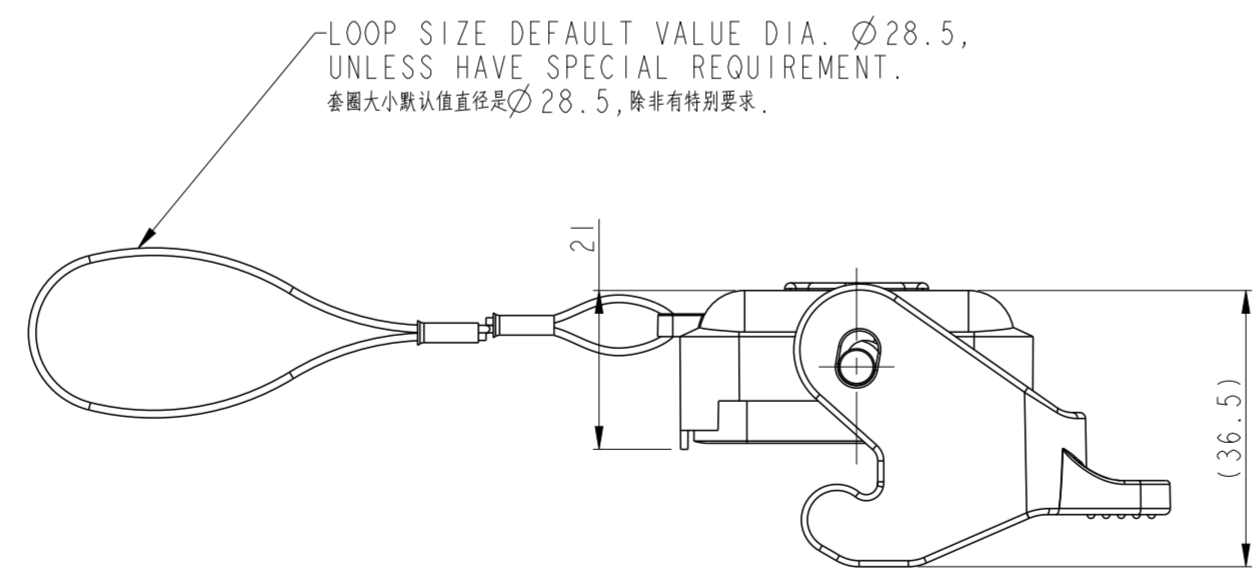
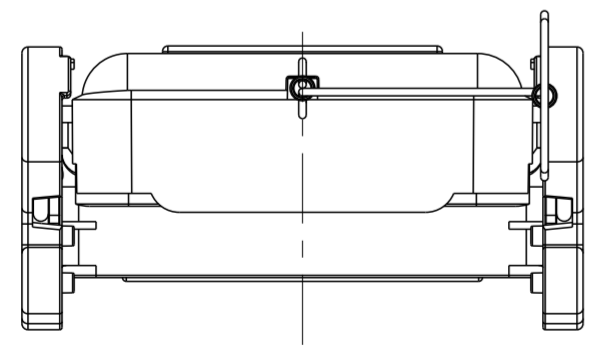
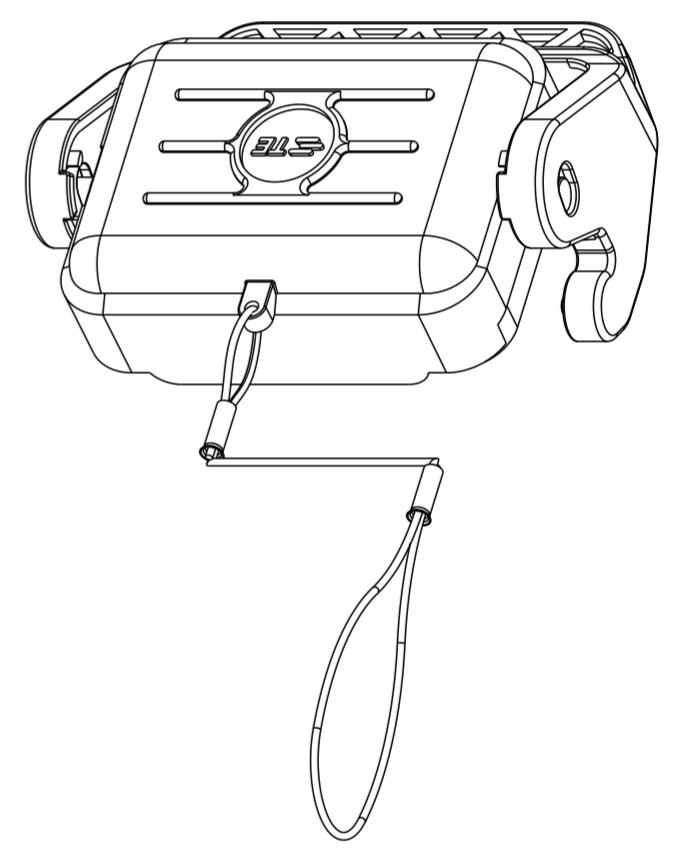


TYPE 2: T1010061200-000 H6B HOOD PLASTIC PROTECTION COVER,
 PLASTIC SINGLE LOCKING, SEALING, NYLON ROPE, GREY
 T1010061200-001 H6B HOOD PLASTIC PROTECTION COVER,
 PLASTIC SINGLE LOCKING, SEALING, SEALING, SUS ROPE
 WITH SHEATH, GREY

类型2: T1010061200-000 H6B上壳塑料保护盖, 塑料单扣, 带密封, 尼龙绳, 灰色
 T1010061200-001 H6B上壳塑料保护盖, 塑料单扣, 带密封, 包胶钢丝绳, 灰色

NOTES:
 1. TECHNICAL CHARACTERISTICS:
 COVER MATERIAL: PC, GREY
 PLASTIC SINGLE LOCKING MATERIAL: NYLON, GREY

注释:
 1. 技术参数:
 保护盖材质: PC, 灰色
 塑料单扣材质: 尼龙, 灰色

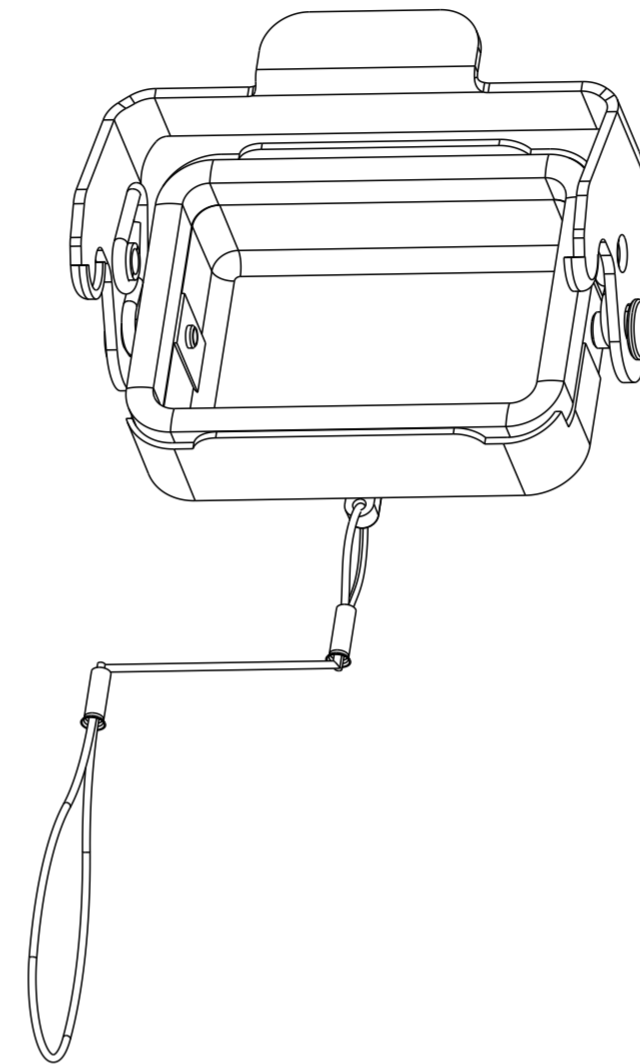
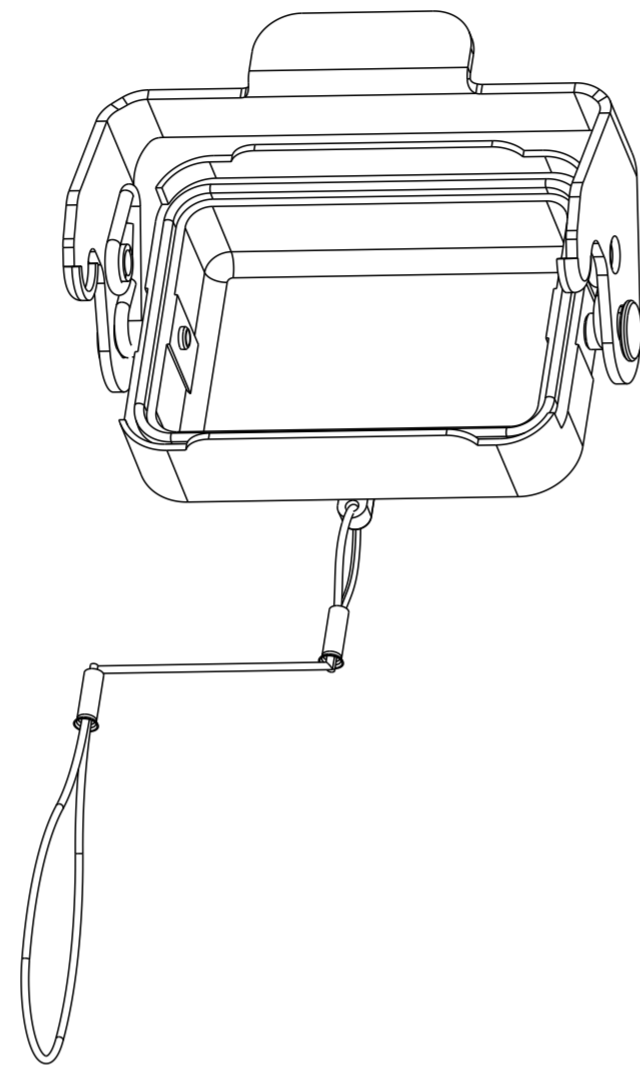
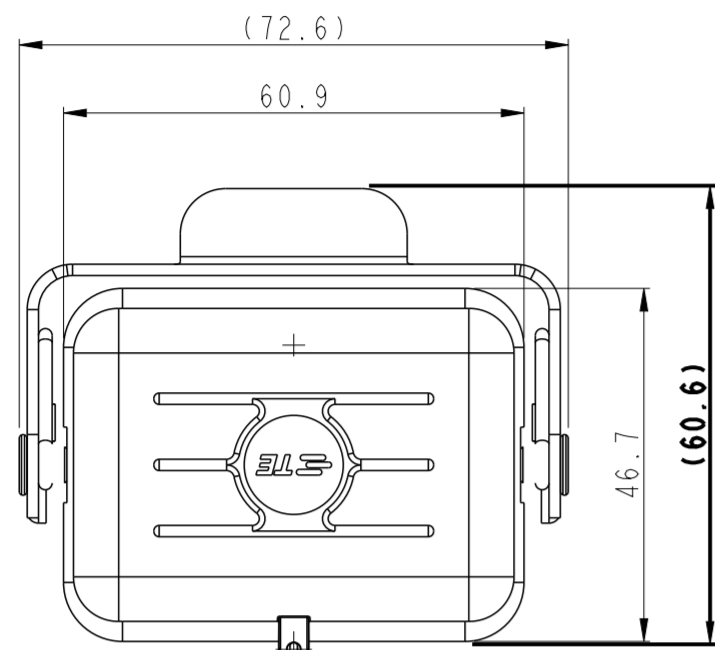


PART NUMBER 料号	PART DESCRIPTION 描述	TYPE 类型
T1010061200-000	H6B-KDTP H6B HOOD PLASTIC PROTECTION COVER, PLASTIC SINGLE LOCKING, SEALING, NYLON ROPE, GREY H6B上壳塑料保护盖, 塑料单扣, 带密封, 尼龙绳, 灰色	TYPE 2 类型2
T1010061200-001	H6B-KDTP-SS H6B HOOD PLASTIC PROTECTION COVER, PLASTIC SINGLE LOCKING, SEALING, SEALING, SUS ROPE WITH SHEATH, GREY H6B上壳塑料保护盖, 塑料单扣, 带密封, 包胶钢丝绳, 灰色	TYPE 2 类型2
T1010061100-000	H6B-KDTP-NR H6B HOOD PLASTIC PROTECTION COVER, PLASTIC SINGLE LOCKING, WITHOUT SEALING, NYLON ROPE, GREY H6B上壳塑料保护盖, 塑料单扣, 不带密封, 尼龙绳, 灰色	TYPE 1 类型1

THIS DRAWING IS A CONTROLLED DOCUMENT.		DWN CHARLIE HU 28NOV2016	TE Connectivity															
DIMENSIONS: mm		CHK KYLE ZENG 28NOV2016																
TOLERANCES UNLESS OTHERWISE SPECIFIED:		APVD CHRIS WANG 28NOV2016	NAME H6B-KDTP/KDTPM-NR															
<table border="1"> <tr><td>0 PLC</td><td>±</td></tr> <tr><td>1 PLC</td><td>±</td></tr> <tr><td>2 PLC</td><td>±</td></tr> <tr><td>3 PLC</td><td>±</td></tr> <tr><td>4 PLC</td><td>±</td></tr> <tr><td>ANGLES</td><td>±</td></tr> <tr><td>FINISH</td><td>±</td></tr> </table>		0 PLC	±	1 PLC	±	2 PLC	±	3 PLC	±	4 PLC	±	ANGLES	±	FINISH	±	PRODUCT SPEC -	RESTRICTED TO -	
0 PLC	±																	
1 PLC	±																	
2 PLC	±																	
3 PLC	±																	
4 PLC	±																	
ANGLES	±																	
FINISH	±																	
MATERIAL -	WEIGHT -	APPLICATION SPEC -	SIZE A2	CAGE CODE -														
CUSTOMER DRAWING		DRAWING NO G-T1010061X0000		SCALE 1:1														
		SHEET 1 OF 2		REV A3														

THIS DRAWING IS UNPUBLISHED. RELEASED FOR PUBLICATION 20
 © COPYRIGHT 20 BY - ALL RIGHTS RESERVED.

REVISIONS				
P	LTR	DESCRIPTION	DATE	APVD
-	-	SEE SHEET 1	-	-



NOTES:
 1. TECHNICAL CHARACTERISTICS:
 COVER MATERIAL: PC, GREY
 STEEL SINGLE LOCKING MATERIAL: SPCC, COLOR ZINC PLATED

注释:
 1. 技术参数:
 保护盖材质: PC, 灰色
 彩锌单扣材质: 冷轧板, 镀锌彩

T1010061300-000: TRANSPARENT NYLON ROPE:
 TOTAL LENGTH 380±5mm,
 D1A. ∅1.0mm
 透明尼龙绳: 总长380±5mm, 直径∅1.0mm

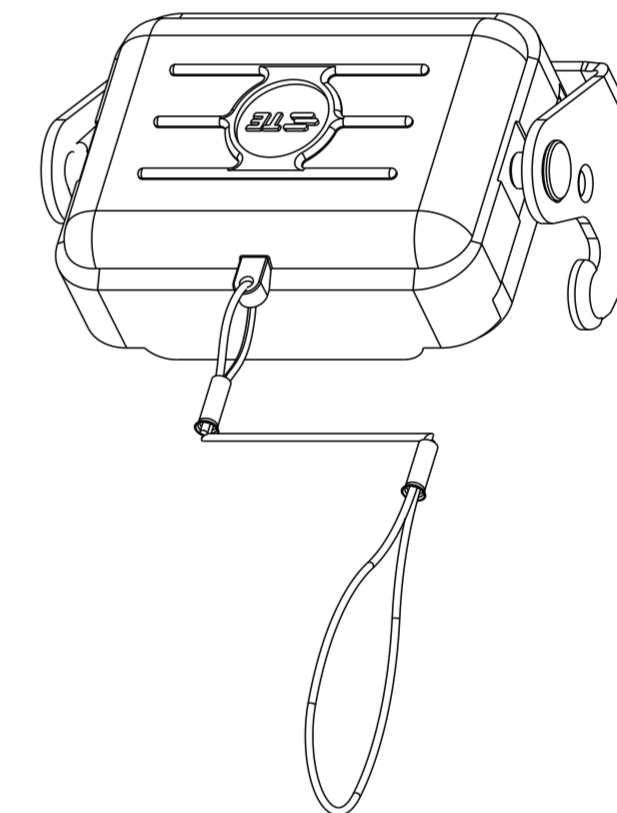
T1010061400-001: STAINLESS STEEL ROPE WITH SHEATH:
 TOTAL LENGTH 380±5mm,
 D1A. ∅1.5mm
 包胶钢丝绳: 总长380±5mm, 直径∅1.5mm

TYPE 3: H6B HOOD PLASTIC PROTECTION COVER,
 METAL SINGLE LOCKING, WITHOUT SEALING,
 NYLON ROPE, GREY
 类型3: H6B上壳塑料保护盖, 彩锌单扣, 不带密封, 尼龙绳, 灰色

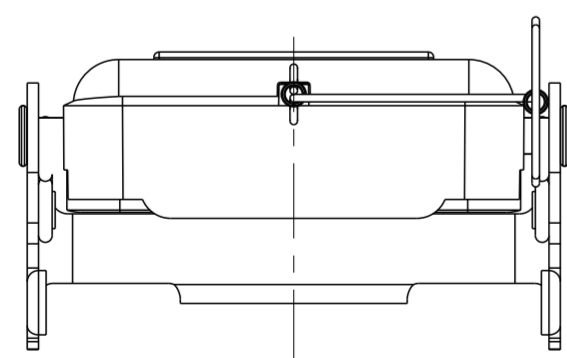
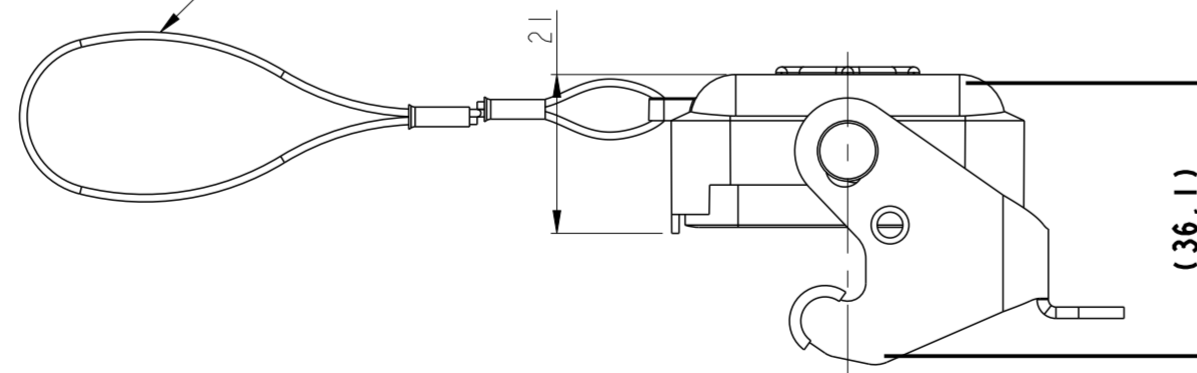
TYPE 4: T1010061400-000 H6B HOOD PLASTIC PROTECTION COVER,
 METAL SINGLE LOCKING, SEALING, NYLON ROPE, GREY

T1010061400-001H6B HOOD PLASTIC PROTECTION COVER,
 METAL SINGLE LOCKING, SEALING, SUS ROPE WITH SHEATH, GREY

类型4: T1010061400-000 H6B上壳塑料保护盖, 彩锌单扣, 带密封, 尼龙绳, 灰色
 T1010061400-001 H6B上壳塑料保护盖, 彩锌单扣, 带密封, 包胶钢丝绳, 灰色



LOOP SIZE DEFAULT VALUE DIA. ∅28.5,
 UNLESS HAVE SPECIAL REQUIREMENT.
 套圈大小默认值直径是∅28.5, 除非有特别要求。



T1010061400-000	H6B-KDTPM	H6B HOOD PLASTIC PROTECTION COVER, METAL SINGLE LOCKING, SEALING, NYLON ROPE, GREY H6B上壳塑料保护盖, 彩锌单扣, 带密封, 尼龙绳, 灰色	TYPE 4 类型4
T1010061400-001	H6B-KDTPM-SS	H6B HOOD PLASTIC PROTECTION COVER, METAL SINGLE LOCKING, SEALING, SUS ROPE WITH SHEATH, GREY H6B上壳塑料保护盖, 彩锌单扣, 带密封, 包胶钢丝绳, 灰色	TYPE 3 类型3
T1010061300-000	H6B-KDTPM-NR	H6B HOOD PLASTIC PROTECTION COVER, METAL SINGLE LOCKING, WITHOUT SEALING, NYLON ROPE, GREY H6B上壳塑料保护盖, 彩锌单扣, 不带密封, 尼龙绳, 灰色	TYPE 3 类型3
PART NUMBER 料号	PART DESCRIPTION 描述		TYPE 类型

THIS DRAWING IS A CONTROLLED DOCUMENT.		DWN 28NOV2016 CHARLIE HU	TE Connectivity	
DIMENSIONS: mm		CHK 28NOV2016 KYLE ZENG		
TOLERANCES UNLESS OTHERWISE SPECIFIED:		APVD 28NOV2016 CHRIS WANG	NAME H6B-KDTP/KDTPM-NR	
0 PLC ±		PRODUCT SPEC	SIZE A2	
1 PLC ±		APPLICATION SPEC	CAGE CODE -	
2 PLC ±		WEIGHT -	DRAWING NO. C-T1010061X00000	
3 PLC ±		CUSTOMER DRAWING	RESTRICTED TO -	
4 PLC ±		SCALE 1:1	SHEET 2 OF 2	
ANGLES ±		REV A3		
FINISH -				