

THIS DRAWING IS UNPUBLISHED.

RELEASED FOR PUBLICATION

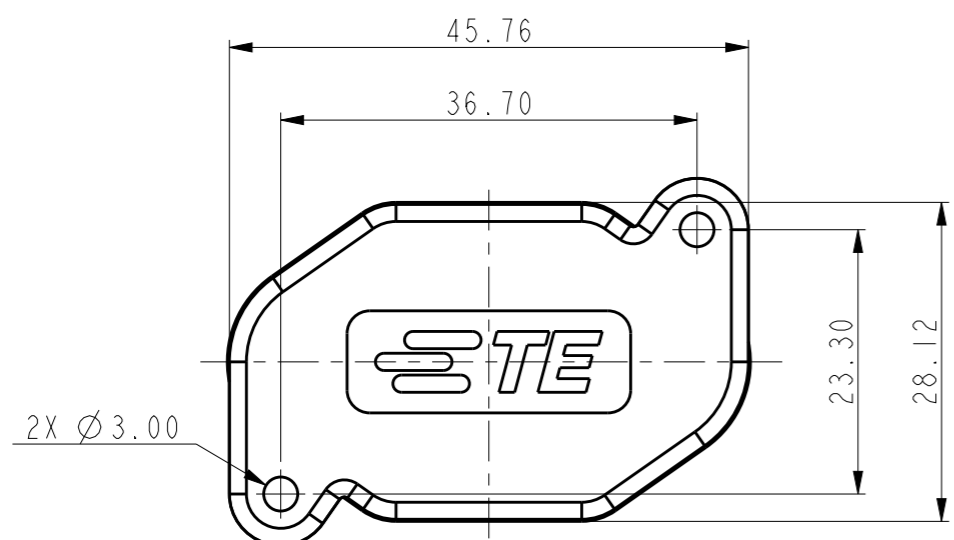
20

© COPYRIGHT 20 BY -

ALL RIGHTS RESERVED.

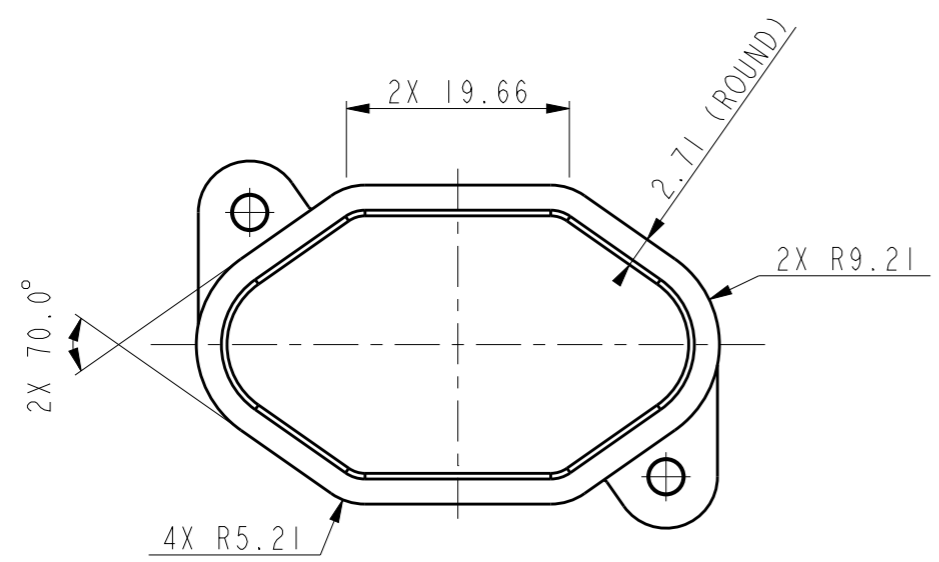
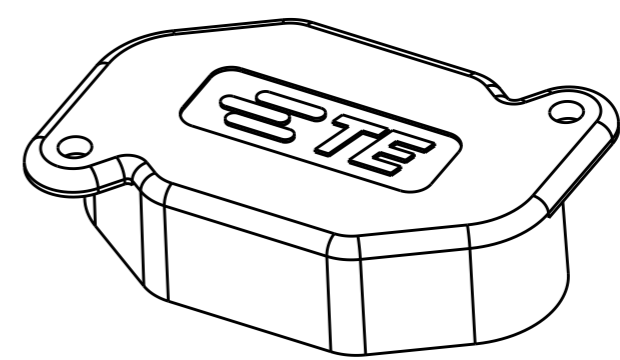
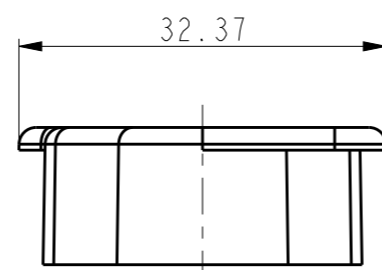
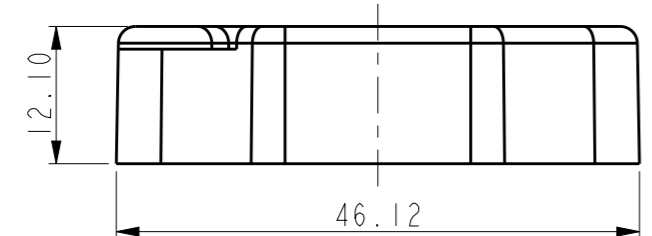
REVISIONS

P	LTR	DESCRIPTION	DATE	DWN	APVD
	A	INITIAL	07SEP2017	CH	CW




NOTES:
 1. TECHNICAL CHARACTERISTICS:
 MATERIAL: EPDM, BLACK

注释:
 1. 技术参数:
 材料: EPDM, 黑色



T1010034900-000	H3APR-KDBE	H3APR RUBBER PROTECTION COVER, WITHOUT NYLON ROPE, BLACK H3APR橡胶护盖, 不带尼龙绳, 黑色
PART NUMBER 料号	PART DESCRIPTION 描述	

THIS DRAWING IS A CONTROLLED DOCUMENT.		DWN 07SEP2017 CHARLIE.HU	 TE Connectivity	
DIMENSIONS: mm		CHK 07SEP2017 GINO.YAO		
TOLERANCES UNLESS OTHERWISE SPECIFIED:		APVD 07SEP2017 CHRIS.WANG	PRODUCT SPEC	
0 PLC ±- 1 PLC ±- 2 PLC ±- 3 PLC ±- 4 PLC ±- ANGLES ±-		APPLICATION SPEC		RESTRICTED TO
MATERIAL		WEIGHT		SIZE A3
FINISH		CUSTOMER DRAWING		CAGE CODE -
		SCALE 3:2		DRAWING NO. C-T1010034900000
		SHEET 1 OF 1		REV A