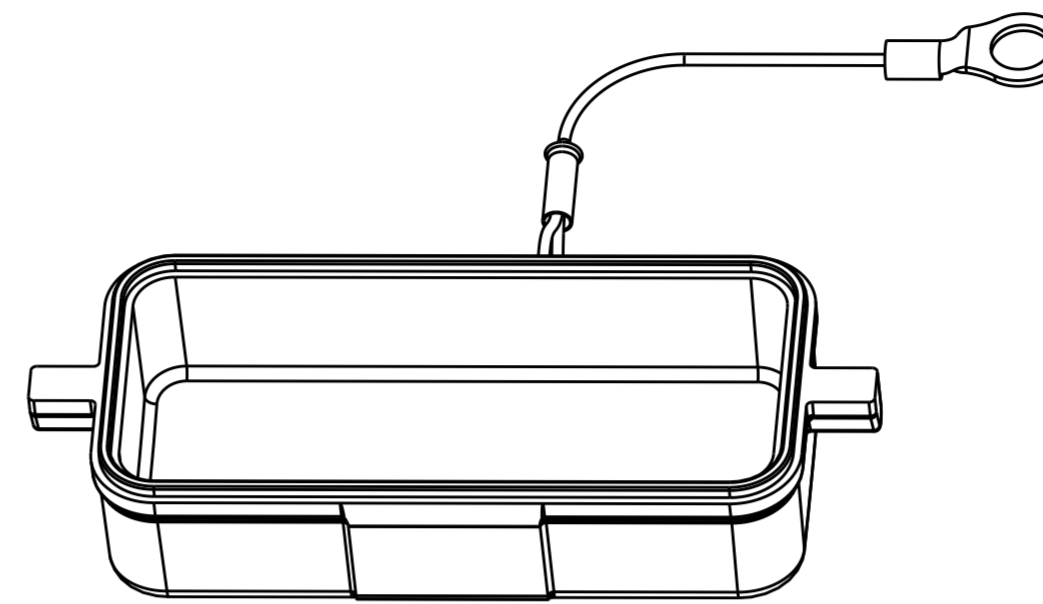
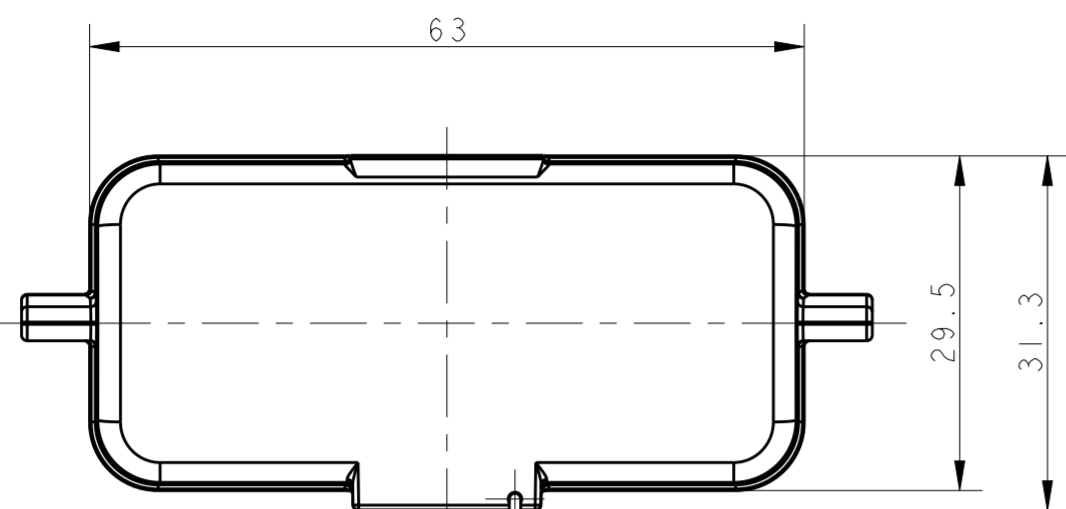


THIS DRAWING IS UNPUBLISHED. RELEASED FOR PUBLICATION
 © COPYRIGHT copyright.d8te- ALL RIGHTS RESERVED.

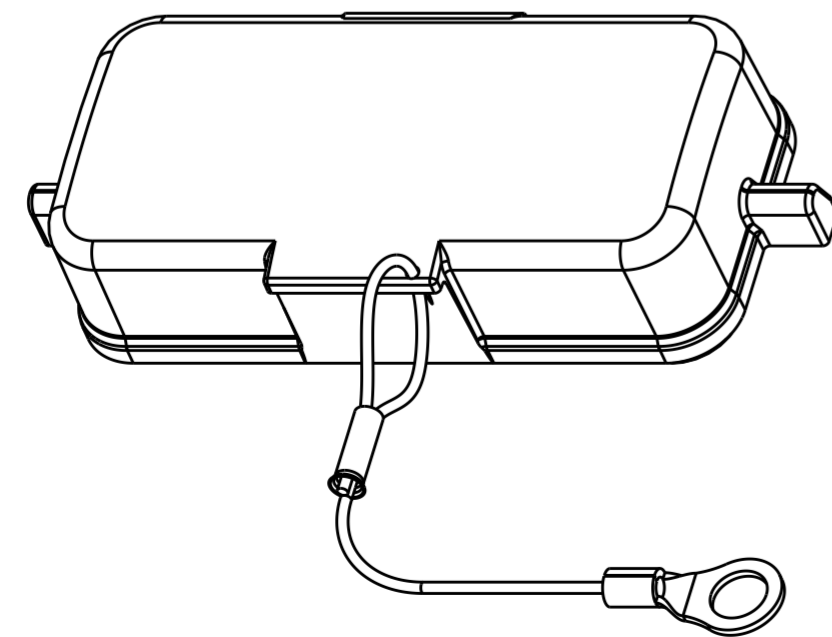
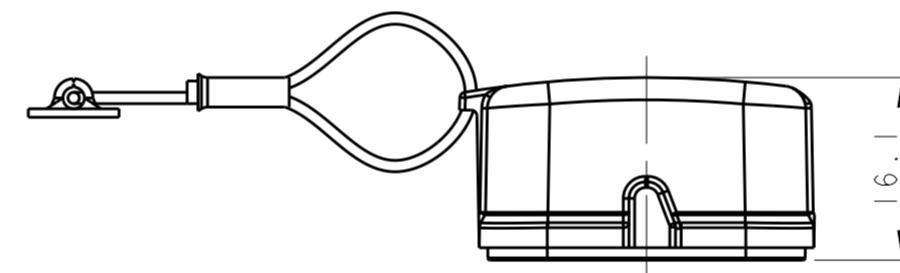
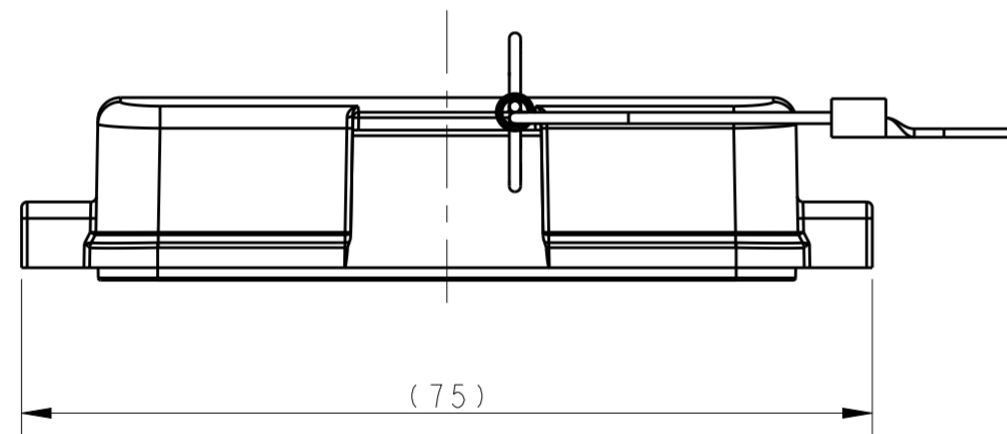
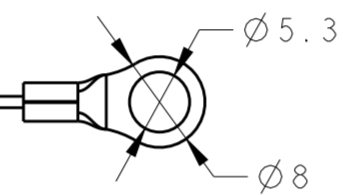
REVISIONS					
P	LTR	DESCRIPTION	DATE	DWN	APVD
	A	INITIAL	05JUL2017	CH	CW
	AI	ECR-20-002671	21FEB2020	WOR	CW



NOTES:
 1. TECHNICAL CHARACTERISTICS:
 COVER MATERIAL: DIE CAST ALUMINIUM ALLOY
 COVER SURFACE: POWDER COATED, GREY

注释:
 1. 技术参数:
 保护盖材质: 铝合金
 表面处理: 灰色粉末喷涂

TRANSPARENT NYLON ROPE:
 TOTAL LENGTH 250,
 DIA. Ø1.0mm
 透明尼龙绳: 总长250mm, 直径Ø1.0mm



T1009101120-000	H10A-KDBM	H10A HOUSING METAL PROTECTION COVER, 2 EAR, WITHOUT SEALING, NYLON ROPE, GREY H10A下壳金属保护盖, 2耳, 不带密封, 尼龙绳, 灰色
PART NUMBER 料号	PART DESCRIPTION 描述	

THIS DRAWING IS A CONTROLLED DOCUMENT.		DWN 05JUL2017 CHARLIE HU	TE Connectivity	
		CHK 05JUL2017 GINO YAO		
		APVD 05JUL2017 CHRIS WANG		
		PRODUCT SPEC		
DIMENSIONS: mm		TOLERANCES UNLESS OTHERWISE SPECIFIED:		NAME H10A-KDBM
		0 PLC ±-	108-137460	SIZE A2
		1 PLC ±-	APPLICATION SPEC	CAGE CODE
		2 PLC ±-	114-137460	DRAWING NO
		3 PLC ±-	WEIGHT	RESTRICTED TO
		4 PLC ±-	CUSTOMER DRAWING	SCALE 3:2
MATERIAL		ANGLES ±-	FINISH	SHEET 1 OF 1
				REV AI