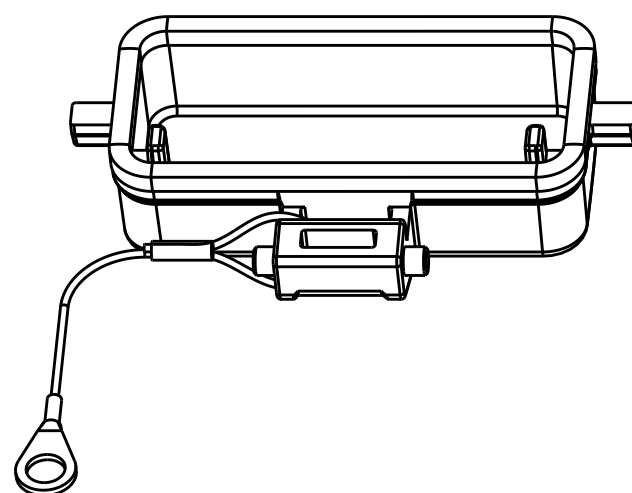
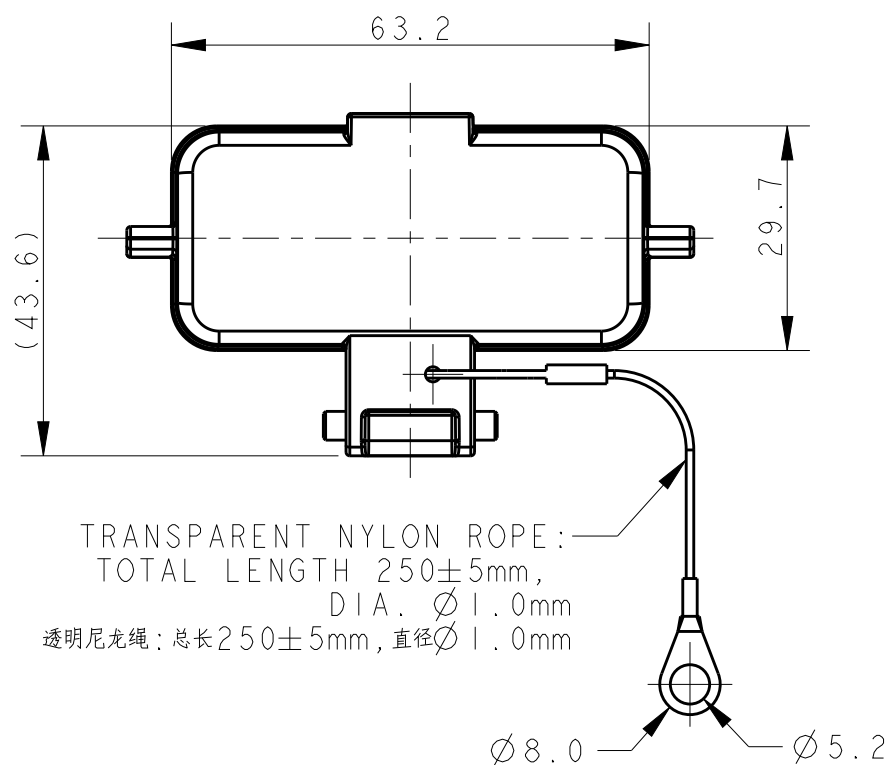


THIS DRAWING IS UNPUBLISHED. RELEASED FOR PUBLICATION 20  
 © COPYRIGHT 20 BY - ALL RIGHTS RESERVED.

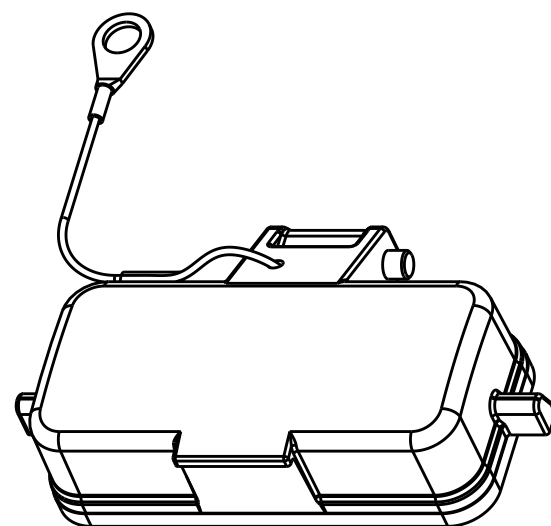
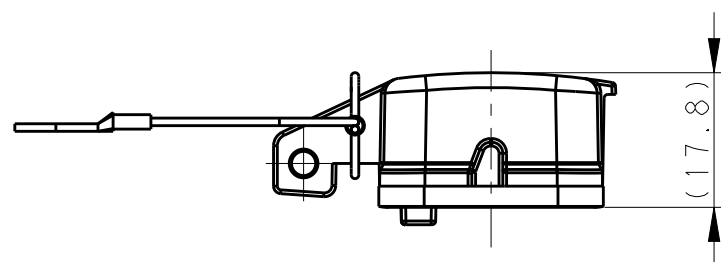
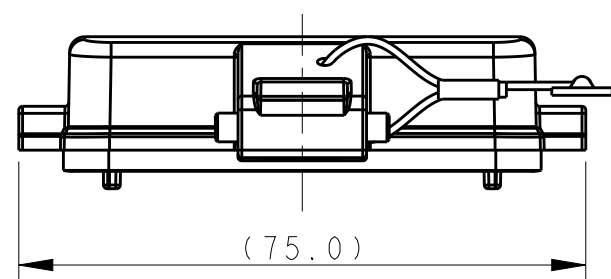
REVISIONS

P	LTR	DESCRIPTION	DATE	DWN	APVD
	A	INITIAL	03JAN2018	RL	CW




NOTES:  
 1. TECHNICAL CHARACTERISTICS:  
 COVER MATERIAL: DIE CAST ALUMINIUM ALLOY  
 COVER SURFACE: POWDER COATED, GREY

注释:  
 1. 技术参数:  
 保护盖材质: 铝合金  
 表面处理: 灰色粉末喷涂



T1009100100-000	H10A-KDBM	H10A HOUSING METAL PROTECTION COVER, 2 EAR, SEALING, NYLON ROPE, GREY H10A下壳金属保护盖, 2耳, 带密封, 尼龙绳, 灰色
PART NUMBER 料号	PART DESCRIPTION 描述	

THIS DRAWING IS A CONTROLLED DOCUMENT.		DWN ROY LIU 03JAN2018	 TE Connectivity NAME H10A-KDBM				
DIMENSIONS: mm		CHK GINO YAO 03JAN2018					
TOLERANCES UNLESS OTHERWISE SPECIFIED:		APVD CHRIS WANG 03JAN2018					
0 PLC $\pm$ - 1 PLC $\pm$ - 2 PLC $\pm$ - 3 PLC $\pm$ - 4 PLC $\pm$ - ANGLES $\pm$ -		PRODUCT SPEC -					
MATERIAL -		FINISH -	APPLICATION SPEC -	SIZE A3	CAGE CODE 00779	DRAWING NO. C-T1009100100000	RESTRICTED TO -
-		-	WEIGHT -	SCALE 1:1		SHEET 1 OF 1	REV A
CUSTOMER DRAWING							