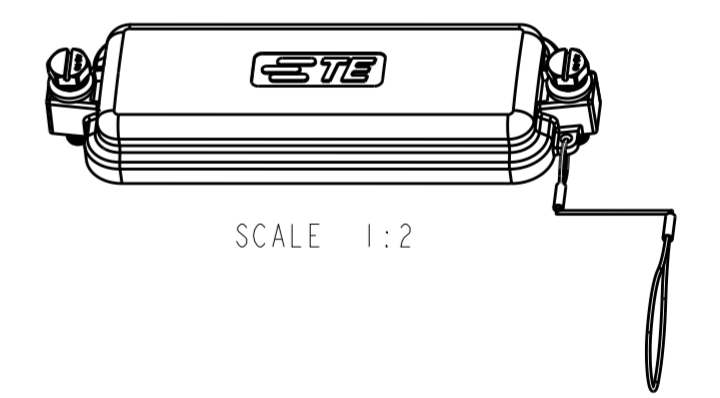
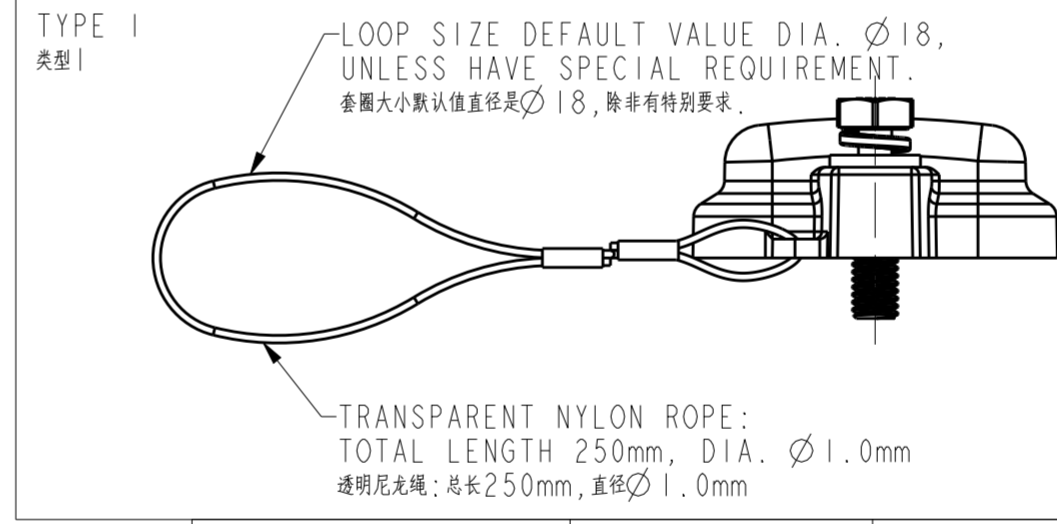
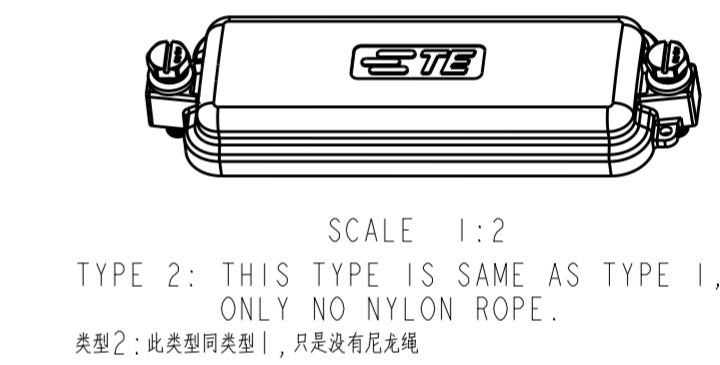
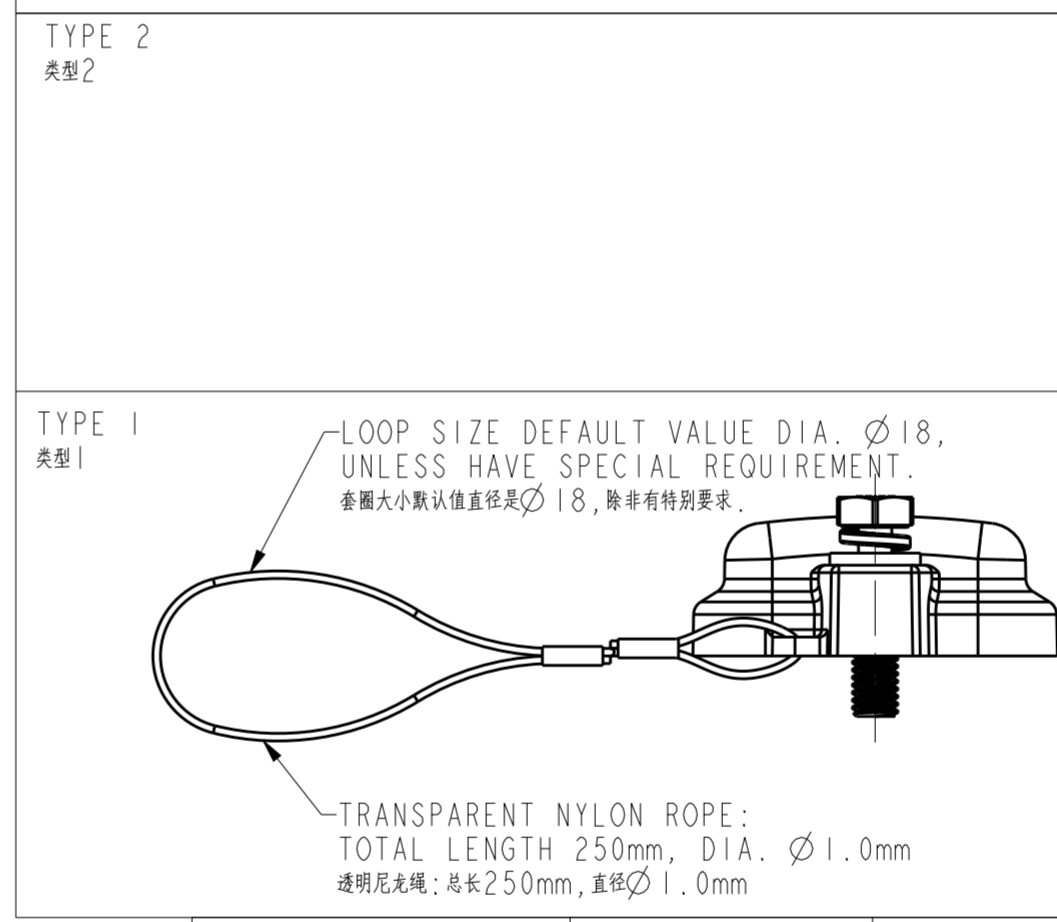
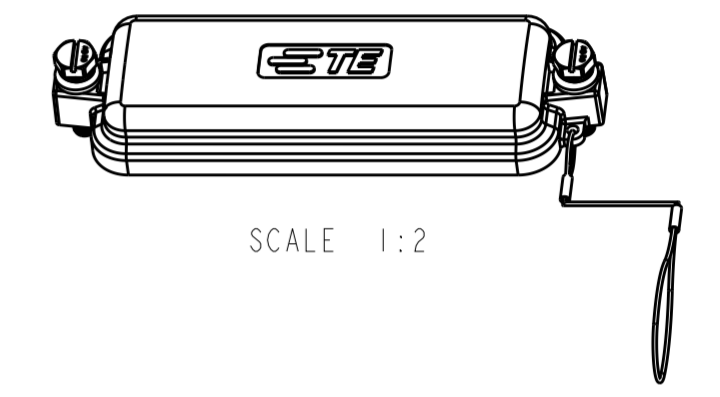
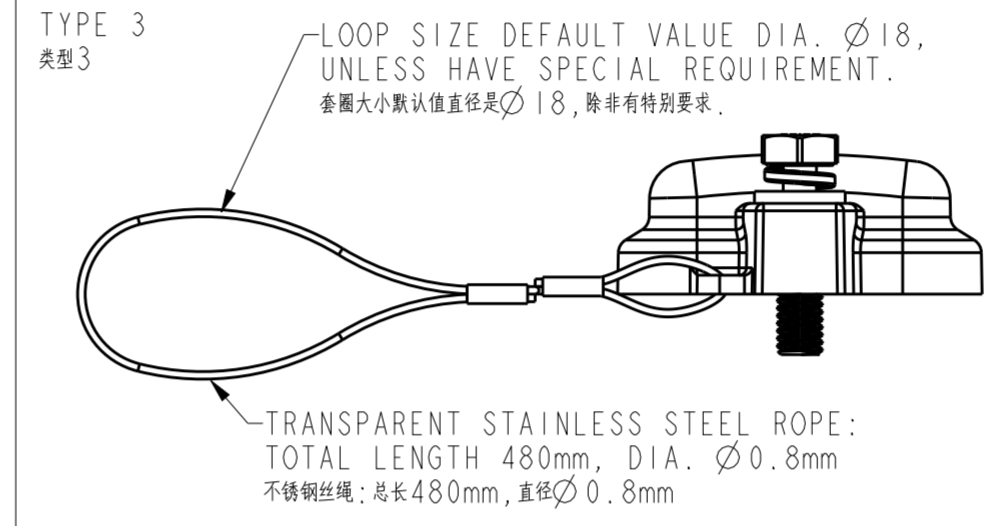
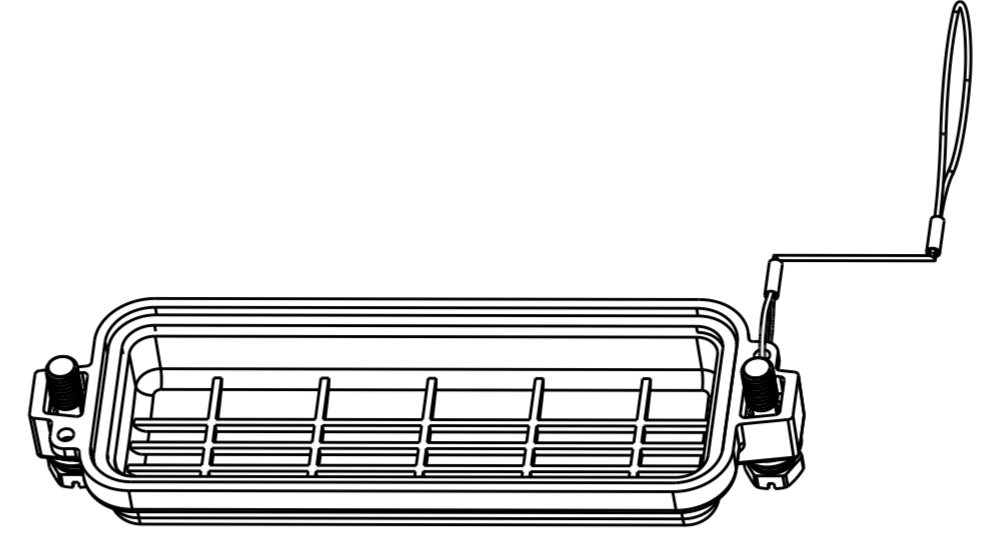
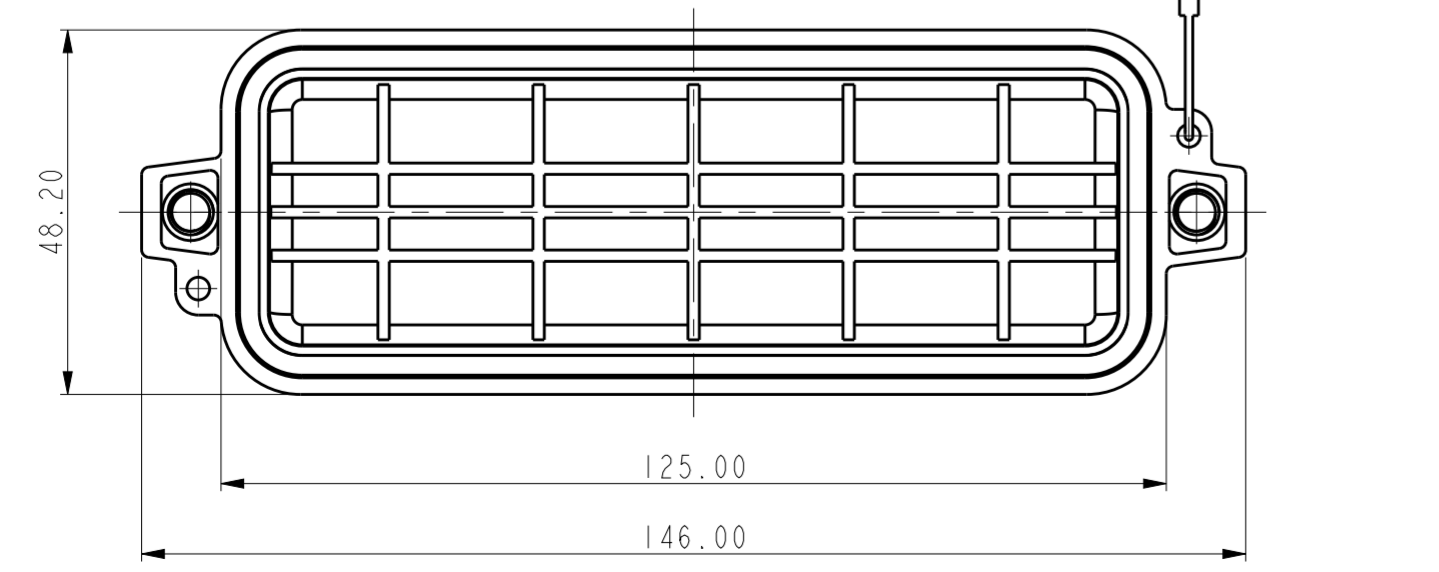
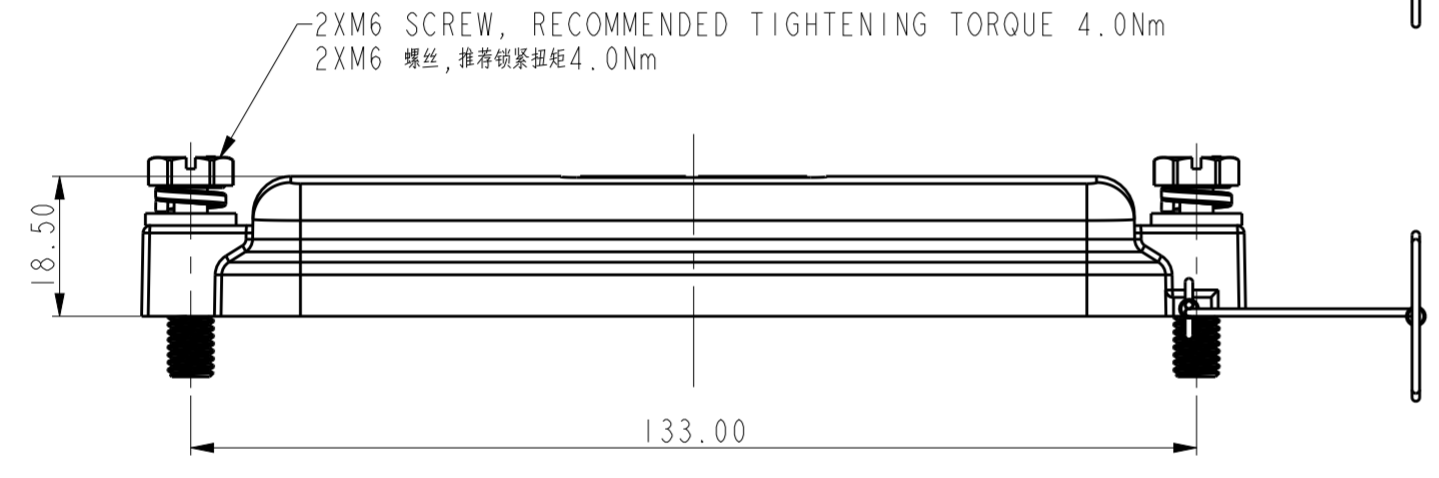
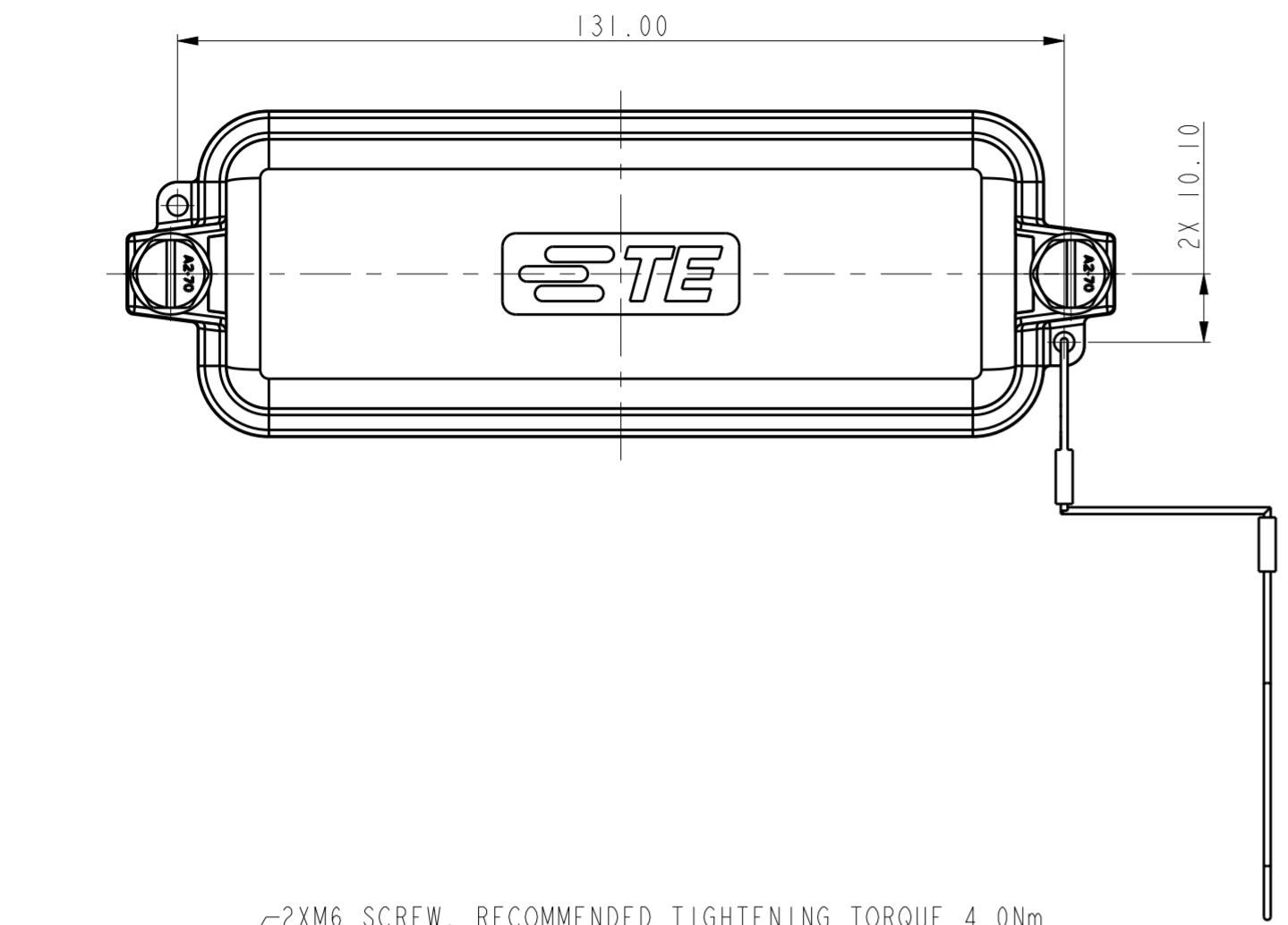


THIS DRAWING IS UNPUBLISHED. RELEASED FOR PUBLICATION  
 © COPYRIGHT copyright\_d8Ye- ALL RIGHTS RESERVED.

REVISIONS					
P	LTR	DESCRIPTION	DATE	DWN	APVD
A		INITIAL	15SEP2017	CH	CW
AI		ECR-18-003490	08MAR2018	TF	CW

NOTES:  
 1. TECHNICAL CHARACTERISTICS:  
 PROTECTION COVER MATERIAL: ABS  
 DEGREE OF PROTECTION: IP65 (MATED)

注释:  
 1. 技术参数:  
 保护盖材质: ABS  
 防护等级: IP65(配合)



PART NUMBER 料号	PART DESCRIPTION 描述	TYPE 类型
T1002241101-000	H24BK-KDBP H24BK HOUSING PLASTIC PROTECTION COVER, CENTER LOCKING, IP65, MINUS SCREW, SEALING, NYLON ROPE, WHITE H24BK下壳中部锁定塑料保护盖, IP65, 一字槽螺丝, 带密封, 带尼龙绳, 白色	TYPE 1 类型1
T1002241100-000	H24BK-KDBP-NA H24BK HOUSING PLASTIC PROTECTION COVER, CENTER LOCKING, IP65, MINUS SCREW, SEALING, WITHOUT NYLON ROPE, WHITE H24BK下壳中部锁定塑料保护盖, IP65, 一字槽螺丝, 带密封, 不带尼龙绳, 白色	TYPE 2 类型2
T1002241102-000	H24BK-KDBP-SS H24BK HOUSING PLASTIC PROTECTION COVER, CENTER LOCKING, IP65, MINUS SCREW, SEALING, STAINLESS STEEL ROPE, WHITE H24BK下壳中部锁定塑料保护盖, IP65, 一字槽螺丝, 带密封, 带不锈钢绳	TYPE 3 类型3

THIS DRAWING IS A CONTROLLED DOCUMENT.

DIMENSIONS: mm	TOLERANCES UNLESS OTHERWISE SPECIFIED: 0 PLC $\pm$ 1 PLC $\pm$ 2 PLC $\pm$ 3 PLC $\pm$ 4 PLC $\pm$ ANGLES $\pm$ FINISH	DWN CHARLIE.HU 15SEP2017 CHK GINO.YAO 15SEP2017 APVD CHRIS.WANG 15SEP2017	NAME H24BK-KDBP/-NA
MATERIAL		PRODUCT SPEC	SIZE A2
		APPLICATION SPEC	CAGE CODE
		WEIGHT	DRAWING NO. C-T100224110X000
		CUSTOMER DRAWING	RESTRICTED TO

SCALE 1:1 SHEET OF REV A1