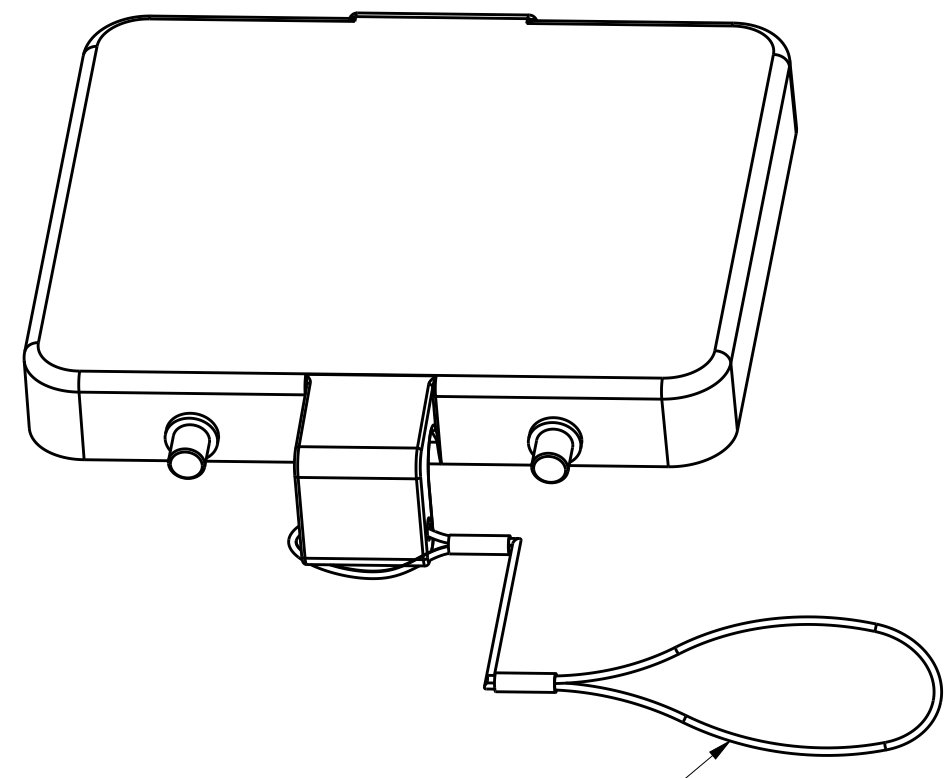
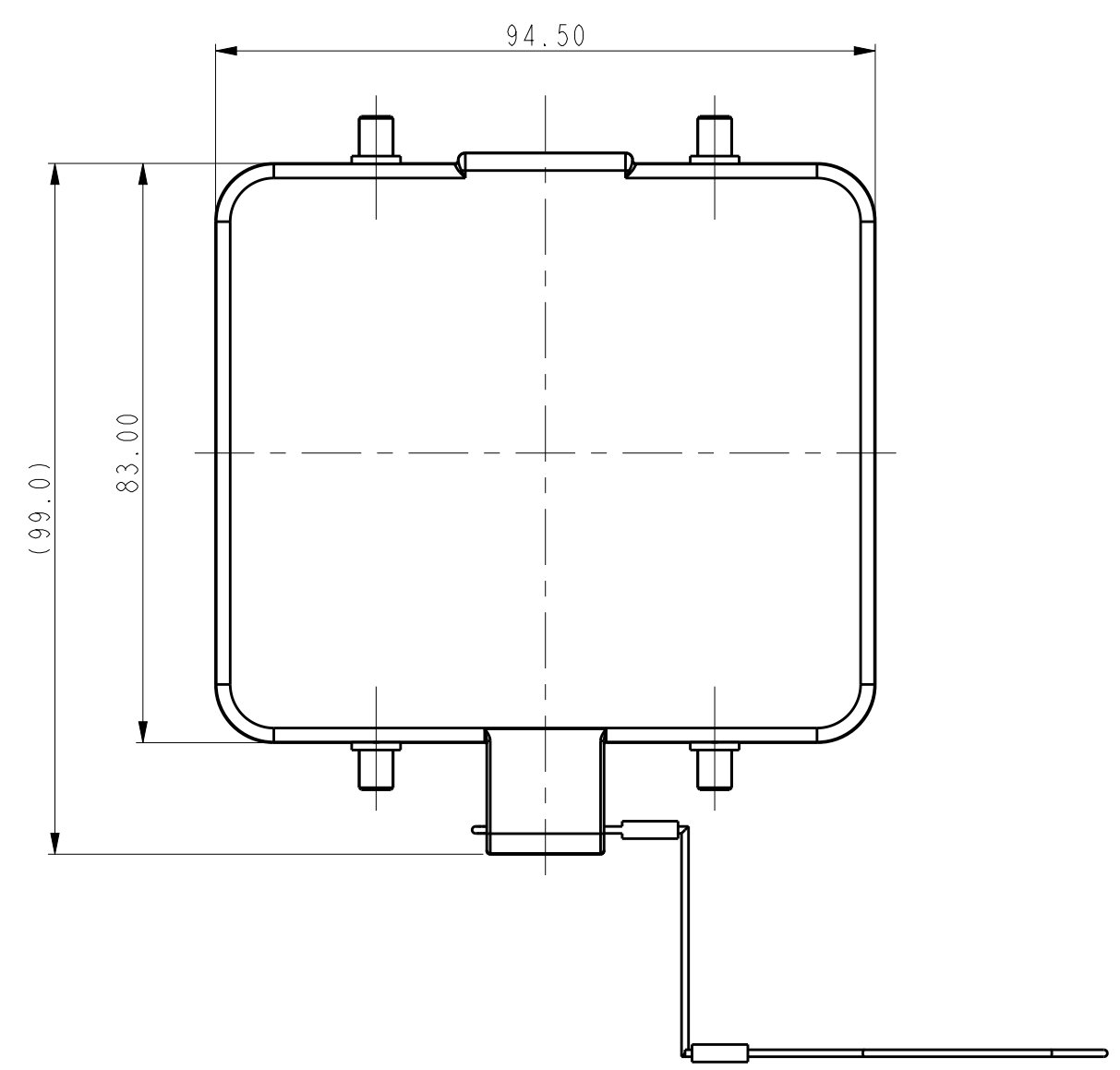
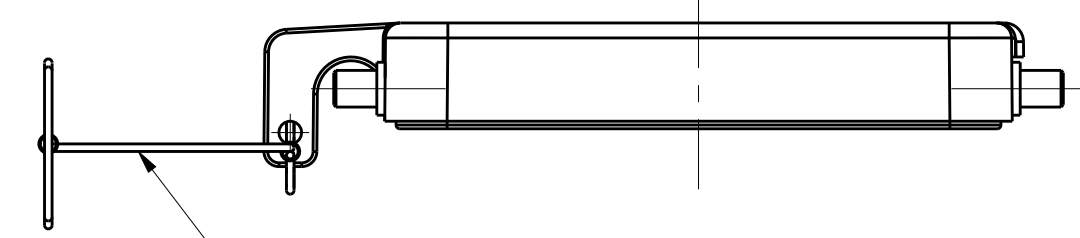
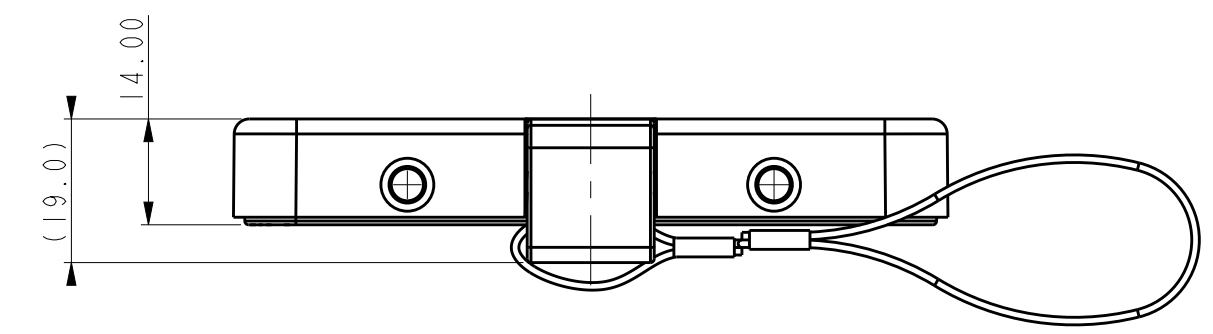


THIS DRAWING IS UNPUBLISHED. RELEASED FOR PUBLICATION
 © COPYRIGHT copyright.d8te- ALL RIGHTS RESERVED.

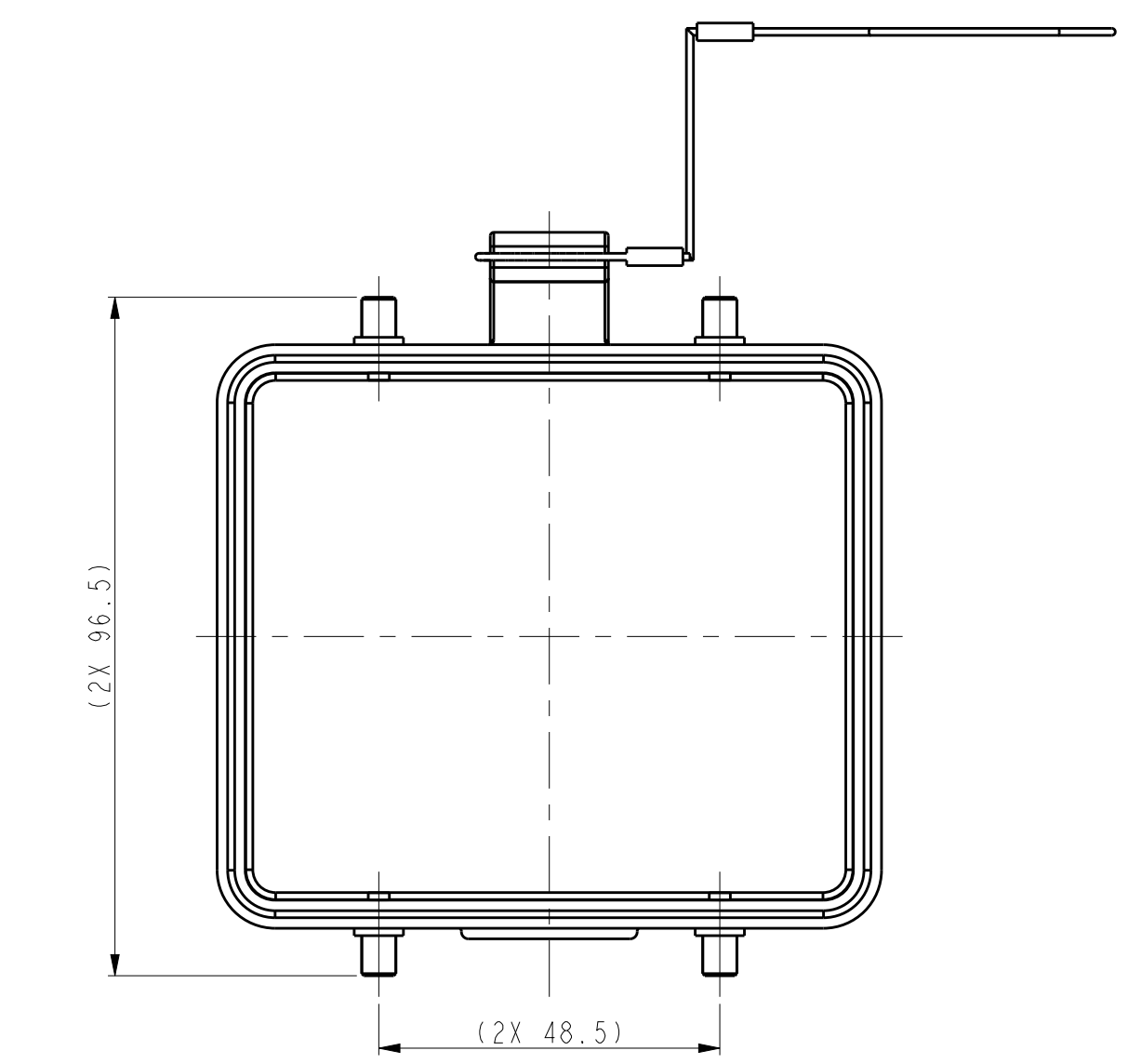
| REVISIONS | | | | |
|-----------|-----|-------------|-----------|-------|
| P | LTR | DESCRIPTION | DATE | APVD |
| | A | INITIAL | 08SEP2017 | CH CW |
| | | | | |
| | | | | |



LOOP SIZE DEFAULT VALUE DIA. $\phi 62$,
 UNLESS HAVE SPECIAL REQUIREMENT.
 套圈大小默认直径是 $\phi 62$, 除非有特别要求.



TRANSPARENT NYLON ROPE:
 TOTAL LENGTH 380mm,
 DIA. $\phi 1.0$ mm
 透明尼龙绳: 总长380mm, 直径 $\phi 1.0$ mm



NOTES:
 1. TECHNICAL CHARACTERISTICS:
 COVER MATERIAL: PC, GREY

注释:
 1. 技术参数:
 保护盖材质: PC, 灰色

| | | |
|-------------------|------------------------|---|
| T1000321320-000 | H32B-KDBP-BOM | H32B HOUSING PLASTIC PROTECTION COVER, 4 EAR, WITHOUT SEALING, NYLON ROPE, GREY H32B下壳塑料保护盖, 4耳, 不带密封, 尼龙绳, 灰色 |
| PART NUMBER 料号 | PART DESCRIPTION 描述 | |

| | | | | | |
|--|----------|------------------------------|--------------------------------|--|-----------------------|
| THIS DRAWING IS A CONTROLLED DOCUMENT. | | DWN 08SEP2017 CHARLIE HU | TE Connectivity | | |
| DIMENSIONS: mm | | CHK 08SEP2017 GINO YAO | | | NAME H32B-KDBP-BOM |
| TOLERANCES UNLESS OTHERWISE SPECIFIED: | | APVD 08SEP2017 CHRIS WANG | | | |
| 0 PLC ± | 1 PLC ± | PRODUCT SPEC | SIZE A2 | | |
| 2 PLC ± | 3 PLC ± | APPLICATION SPEC | CAGE CODE | | |
| 4 PLC ± | ANGLES ± | WEIGHT | DRAWING NO G-T1000321320000 | | |
| MATERIAL | FINISH | CUSTOMER DRAWING | RESTRICTED TO | | |
| - | - | SCALE 1:1 | SHEET OF | | |
| - | - | REV A | | | |